

Specifications

Insulation Resistance: 1,000MΩ min. at 500V DC
 Dielectric Withstanding Voltage: 700V AC for 1 minute
 Contact Resistance: 30mΩ max. at 10m /20mV max.
 Operating Temperature Range: -55°C to +170°C
 Mating Cycles: 10,000 insertions min.
 Pin Count: 168 contact pins

Materials and Finish

Housing: Polyetherimide (PEI), glass-filled
 Contacts: Beryllium Copper (BeCu)
 Plating: Gold over Nickel

Features

- Card thickness 1.27mm
- 7 different positioning indicators
- Possible customer DIMM modules: Toshiba, NEC, OKI, Hitachi, Fujitsu, Siemens and Infineon



Part Number (Details)

IC-438 - * - * - MF

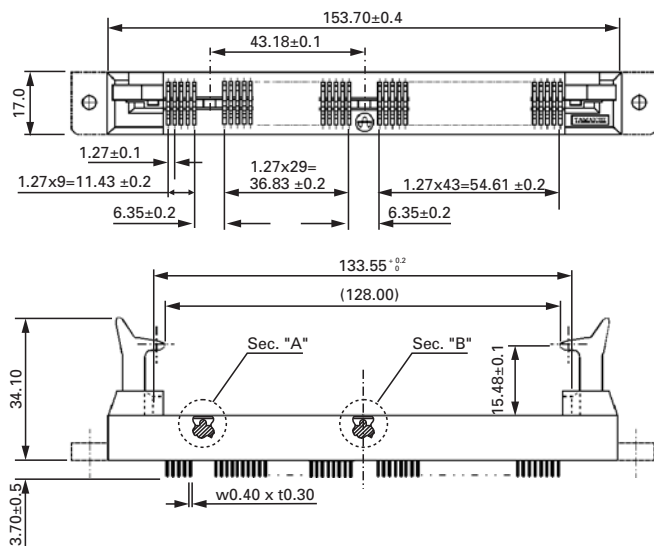
Series No.

Positioning Detail 1 (see Section "A")

Positioning Detail 2 (see Section "B")

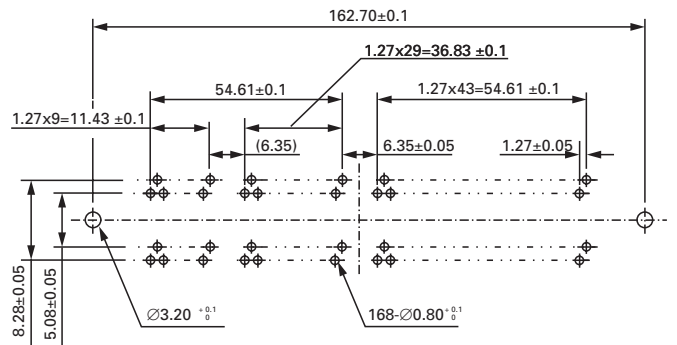
MF = Flanged
 Unmarked = Not Flanged

Outline Socket Dimensions



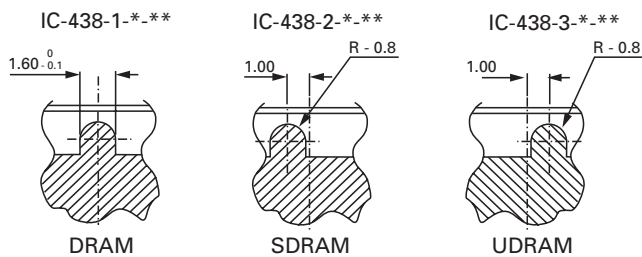
Recommended PC Board Layout

Top View from Socket

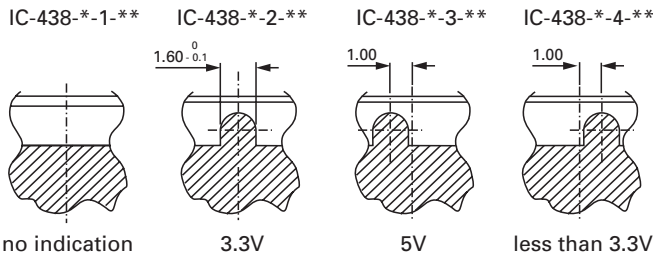


Positioning Details

Section "A" (DRAM Key Indicators)



Section "B" (Voltage Key Indicators)



Matching Module Dimensions

