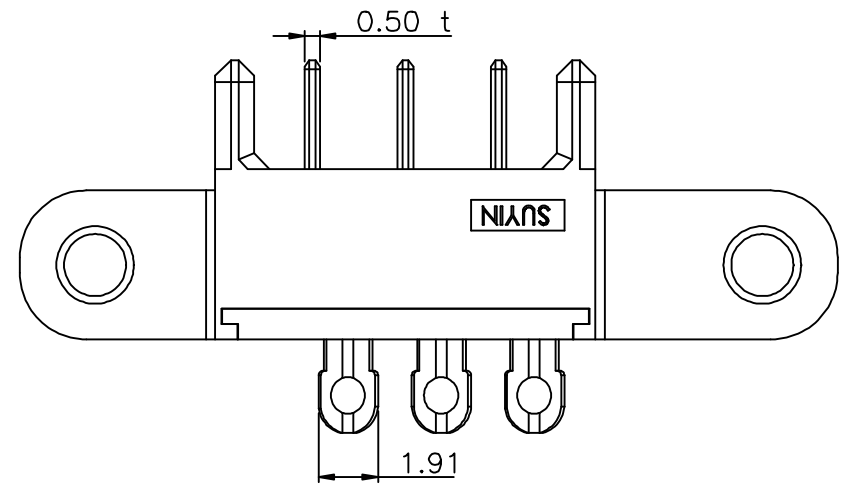
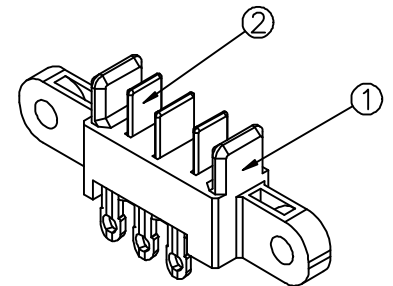
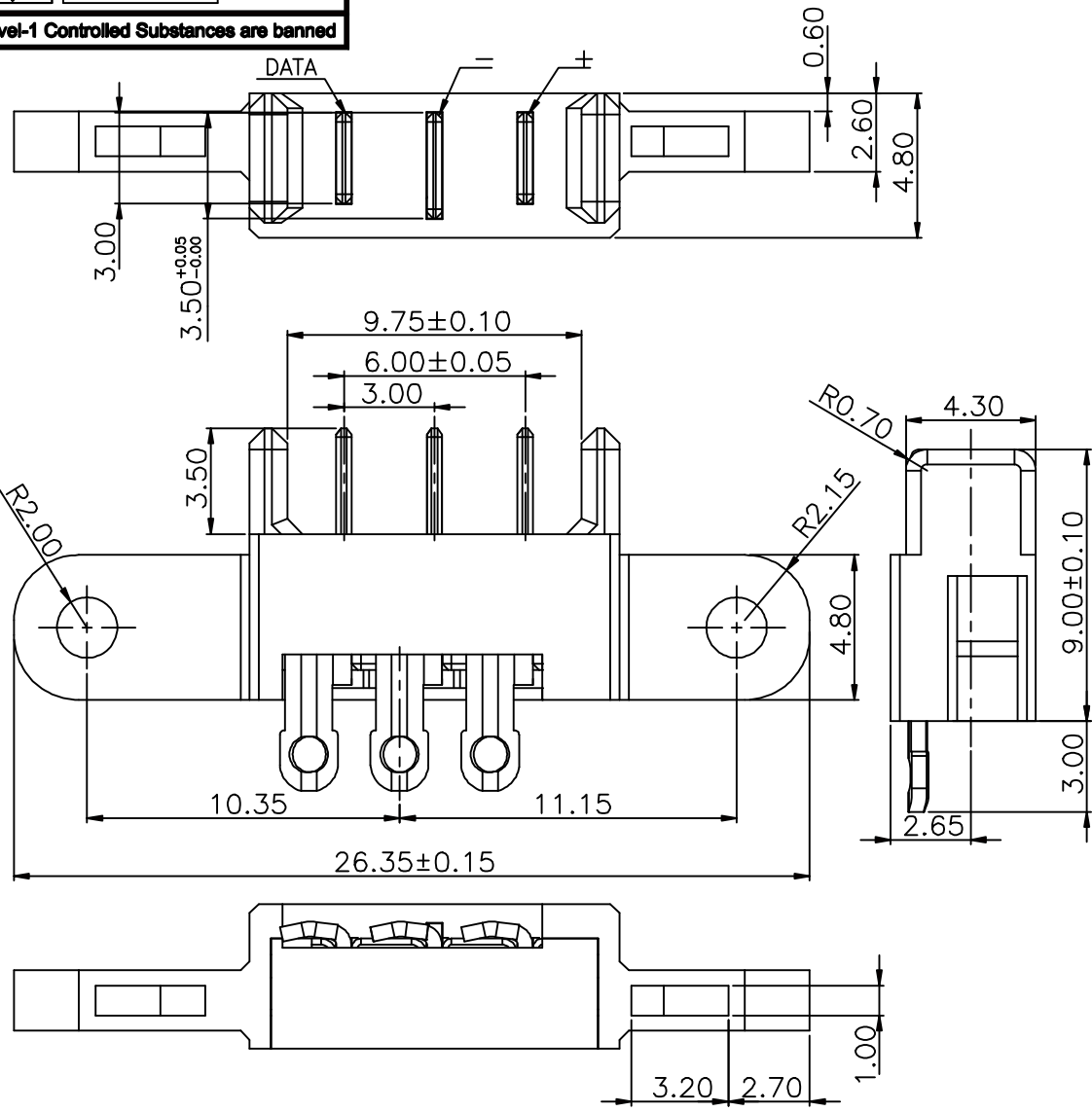




RoHS Compliant
2002/95/EC
HSF

Level-1 Controlled Substances are banned



3				
2	TERMINAL	COPPER ALLOY		TIN PLATED
1	HOUSING	COMMON PLASTICS	BLACK	UL-94V-0
	NO. DESCRIPTION	MATERIAL	COLOR	REMARK

SUYIN
CONNECTOR

CUSTOMER COPY	TITLE: 3.00mm PITCH BATTERY CONN.			
PART NO.	300013MJ003M200ZA			
PRODUCT SPEC.	300013MJ			
FILE NAME.	D	300013MJ003M200ZA-C		
SCALE	4:1	UNIT:mm	A4	SHEET: 1 of 2

					Angle	±2°	DRAW	王 鵬	08'/06/18
	0		NEW RELEASE	王 鵬 張裕奇	30 ~	±0.50	DESIGN	王 鵬	08'/06/18
DCBE-080312-04	PE	08'/03/12	PE1:變更包裝方式.	程夢麗 許俊賢	10 ~ 30	±0.30	CHECK	程夢麗	08'/06/18
DCB-070921-05	PD	07'/09/21	PD1:修改端子針腳 1.82→3.00; PD2:修改端子針腳 1.57→1.91.	譚貴學 許俊賢	~ 10	±0.15	APPRO.	張裕奇	08'/06/18
ECN(DCN) NO.	REV	DATE	DESCRIPTION	CHANGE	APPRO.	GENERAL TOLERANCE UNLESS OTHERWISE NOTED			

Original: Draw: 張海坪 Design: 張海坪 Check: 鄧高雲 Appro: 葉銘良 發行日期: 06'/08/21

060819-BA241