

PLS-041A-6 Power Level Sensor



Electrical Characteristics

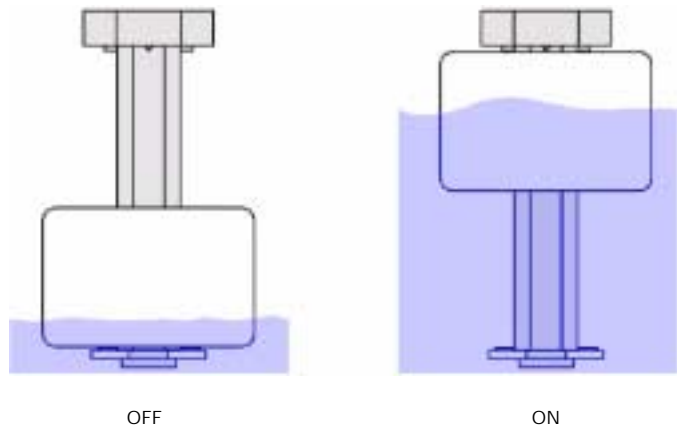
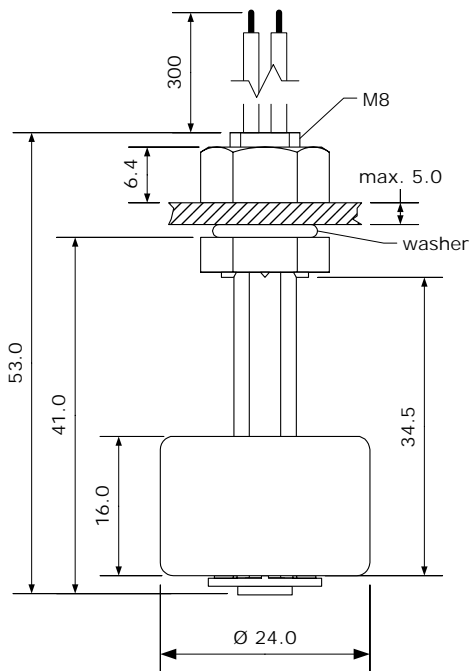
@25°C

Contact form		A
Contact material		Ru
Contact rating max.	W / VA	50
Switching current max.	A	1.5
Carry current max.	A	2.0
Switching voltage max.	VDC	200
	VAC	250
Breakdown voltage min.	VDC	400

Dimensions

Operating diagram

in mm



Temperature Range

Operating temperature	°C	-20 to +80
Storage temperature	°C	-30 to +80

PLS-041A-6
Power Level Sensor**Material****Use in**

Polypropylene (PP)	Water, dilute acids
Polyamide (PA)	Oil, gasoline (petrol), brake fluid

Remarks

- When mounted near ferromagnetic parts switching points may vary

Packing

- Packing unit 10 pcs. per plastic bag, protected accordingly

Customized types available.