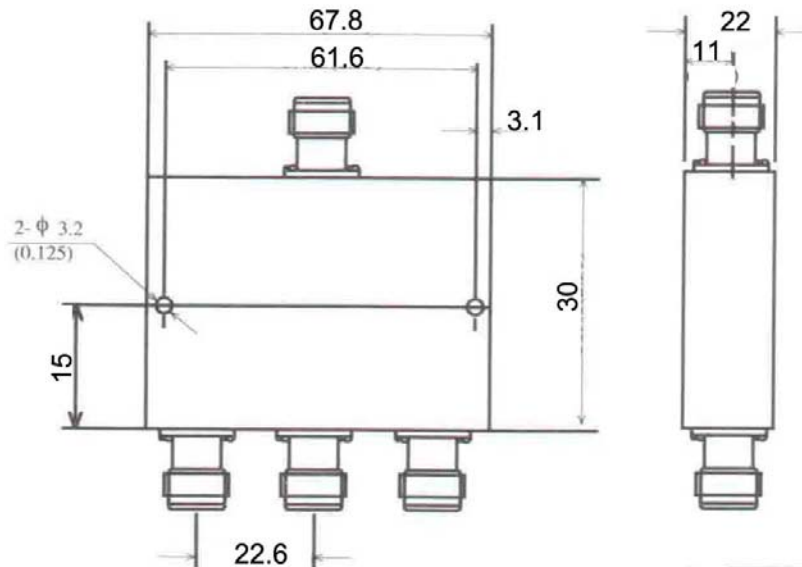


3-Way Power Divider

P/N: JXWBGF-T-3-10-500

Frequency Range(MHz)	10~500
Insertion Loss(dB)	L: 0.3 / 0.8 Typ / max
	M: 0.3 / 0.8 Typ / max
	U: 0.8 / 1.2 Typ / max
Isolation(dB)	L: 25 / 15 Typ / min
	M:30 / 20 Typ / min
	U: 35 / 24 Typ / min
VSWR Input / Output	1.5/1.5
Amplitude Unbalance(dB)	0.5 max
Phase Unbalance(°)	4 max
Connector	BNC-Female
Size(mm)	67.8x30x22
Net Weight(Kg)	0.13 Around

Outline Drawing (Size: mm)



For current data sheets, please contact: sales@aacix.com