



TAI-SAW TECHNOLOGY CO., LTD.

No. 3, Industrial 2nd Rd., Ping-Chen Industrial District,
Taoyuan, 324, Taiwan, R.O.C.

TEL: 886-3-4690038 FAX: 886-3-4697532

E-mail: tstsales@mail.taisaw.com Web: www.taisaw.com

Approval Sheet For Product Specification

Issued Date: Aug, 1, 2008

Product Name: SAW Filter 1575.42 MHz SMD 2.0X1.6 mm

TST Parts No.:TA0664A

Customer Parts No.:_____

Company:_____

Division:_____

Approved by :_____

Date:_____

Checked by:_____ Bob Chau

Approval by:_____ Francis Chen

Date:_____ 8, 1, 2008



TAI-SAW TECHNOLOGY CO., LTD.

No. 3, Industrial 2nd Rd., Ping-Chen Industrial District,
Taoyuan, 324, Taiwan, R.O.C.

TEL: 886-3-4690038 FAX: 886-3-4697532

E-mail: tstsales@mail.taisaw.com Web: www.taisaw.com

SAW Filter 1575.42 MHz for GPS

MODEL NO.: TA0664A

REV. NO.:2

A. MAXIMUM RATING:

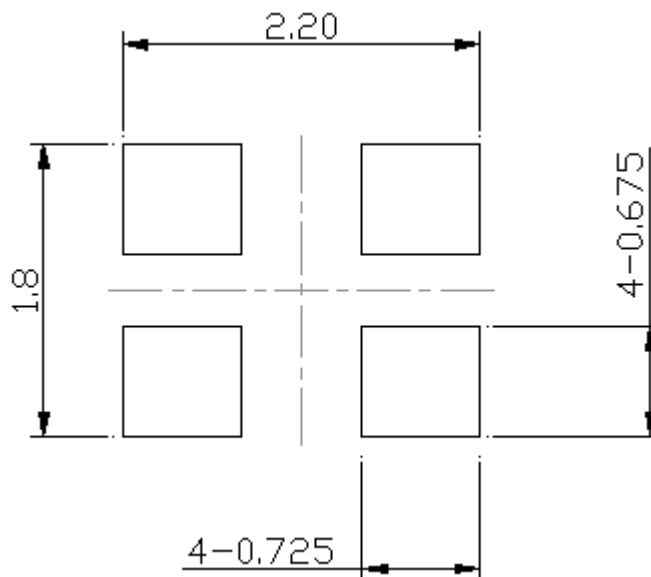
1. Input Power Level: 10 dB_m (1574.42 ~ 1576.42 MHz)
2. DC voltage: 7.5 V
3. Operating Temperature: -40°C to +85°C
4. Storage Temperature: -40°C to +95°C

RoHS Compliant
Lead free
Lead-free soldering

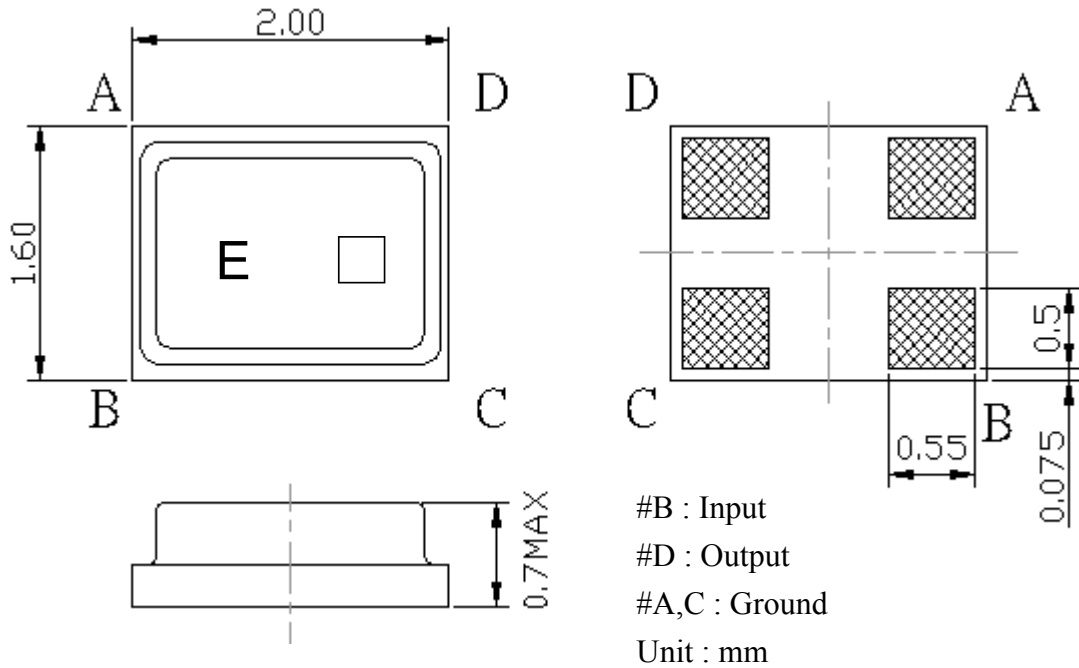
B. ELECTRICAL CHARACTERISTICS:

Item		Min.	Typ.	Max.
Center frequency	F_c (MHz)	-	1575.42	-
Insertion loss (1574.42~1576.42 MHz)	IL (dB)	-	2.8	3.5
Amplitude ripple (1574.42~1576.42 MHz)	(dB)	-	0.5	1.5
Attenuation (Reference level from 0 dB)				
1475.42	MHz (dB)	35	55	-
1505	MHz (dB)	41	47	-
1535.42	MHz (dB)	30	52	-
1615.42	MHz (dB)	30	35	-
1675.42	MHz (dB)	40	64	-
VSWR (1574.42~1576.42 MHz)		-	1.5	2.5
Source impedance	Z_s (Ω)	-	50	-
Load impedance	Z_L (Ω)	-	50	-

C. PCB Footprint:



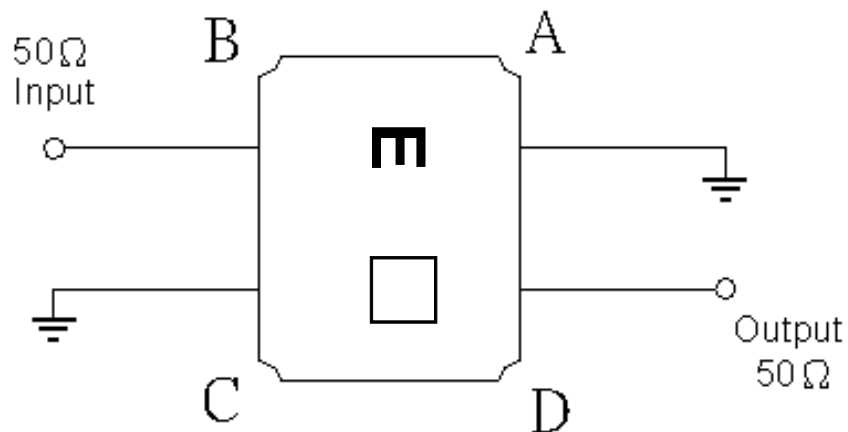
D. OUTLINE DRAWING:



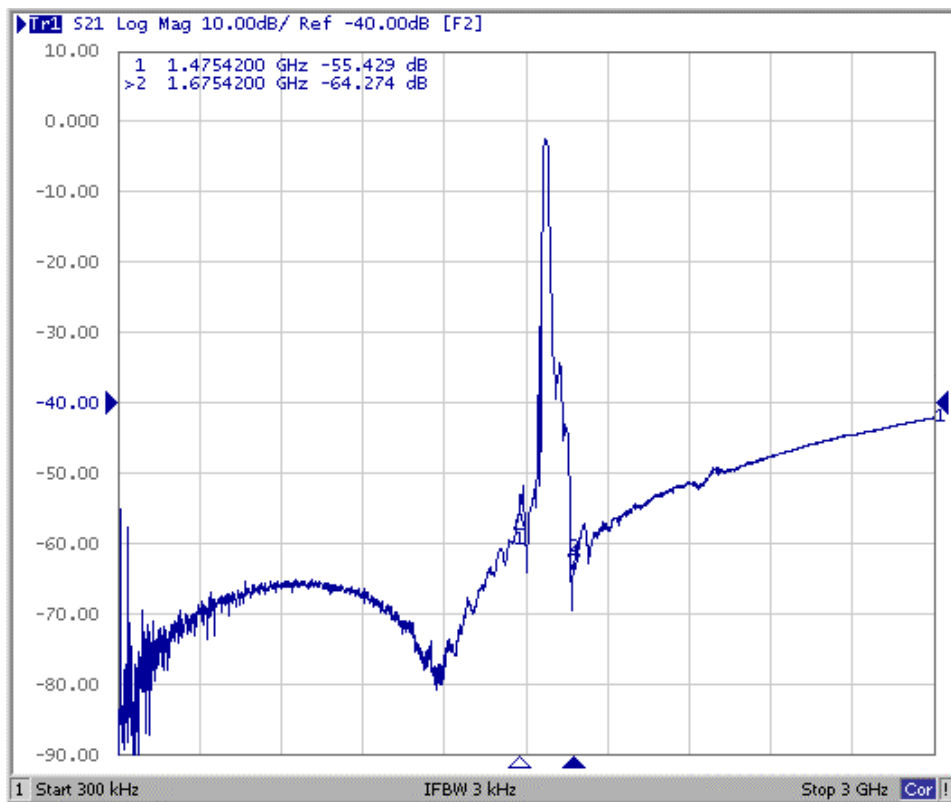
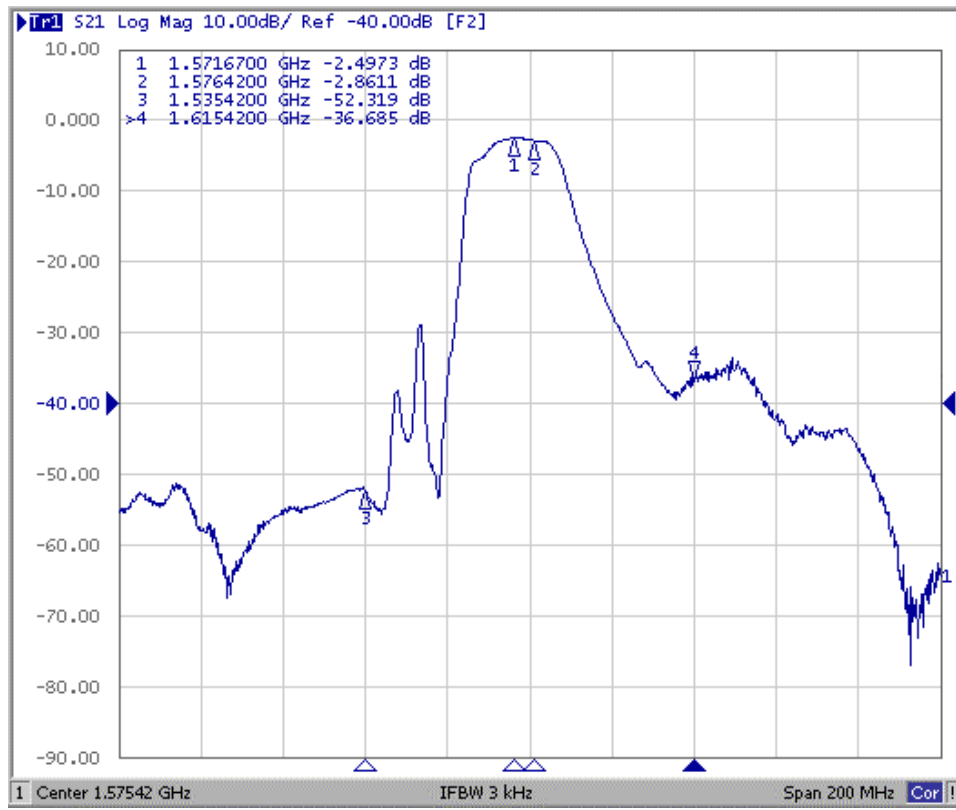
□ : Year/Month Code (Follow the table)

Year/Month	1	2	3	4	5	6	7	8	9	10	11	12
2006	A	B	C	D	E	F	G	H	J	K	L	M
2007	N	P	Q	R	S	T	U	V	W	X	Y	Z
2008	a	b	c	d	e	f	g	h	j	k	i	m
2009	n	p	q	r	s	t	u	v	w	x	y	z
2010	A	B	C	D	E	F	G	H	J	K	L	M
2011	N	P	Q	R	S	T	U	V	W	X	Y	Z

E. MEASUREMENT CIRCUIT:

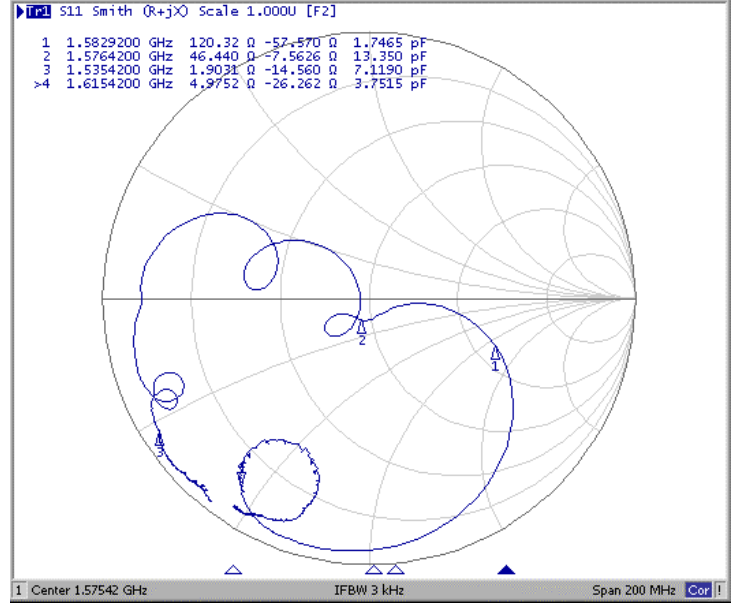
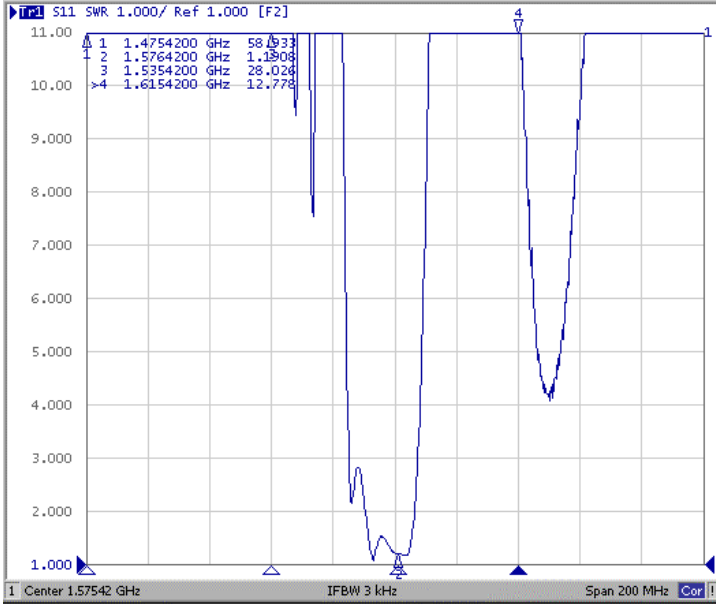


F. Frequency Characteristics : Transfer function

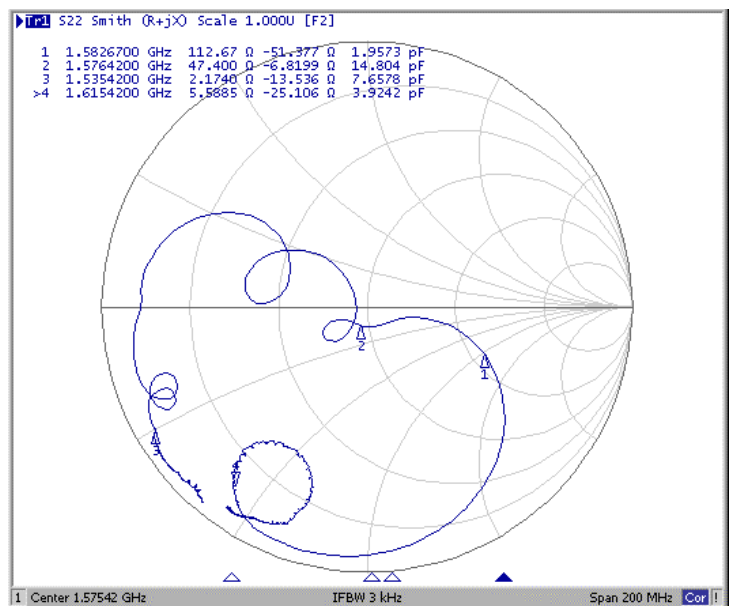
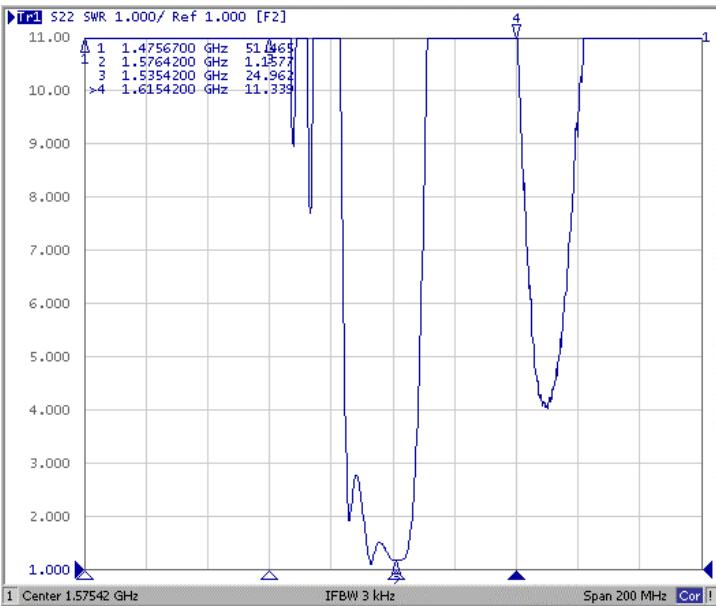


Reflections Functions :

S11 VSWR



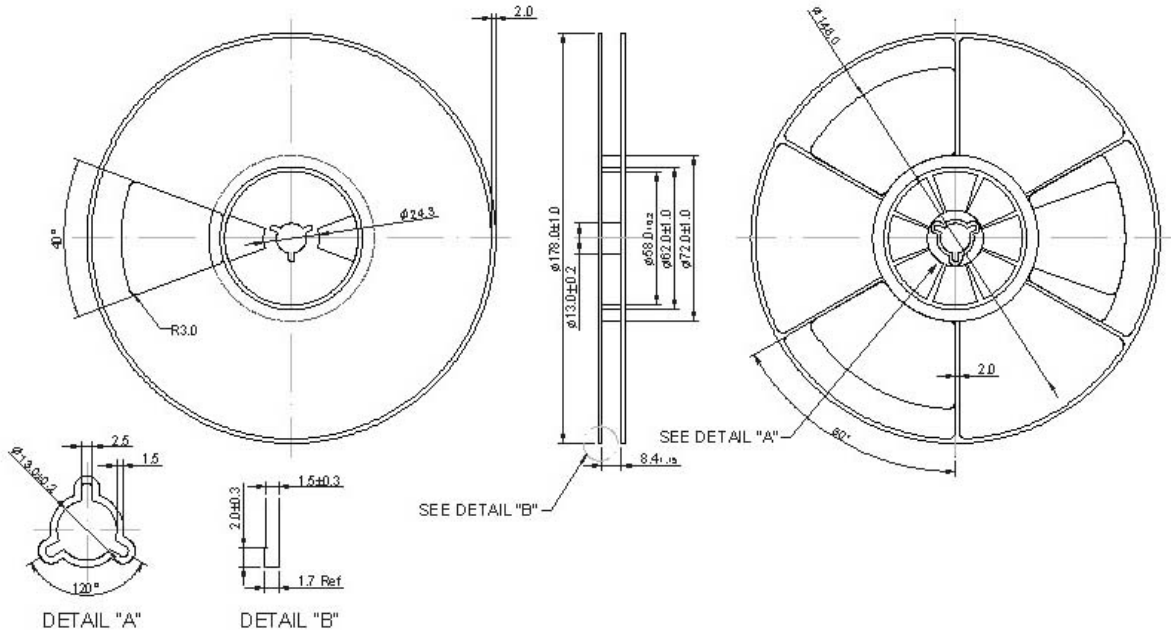
S22 VSWR



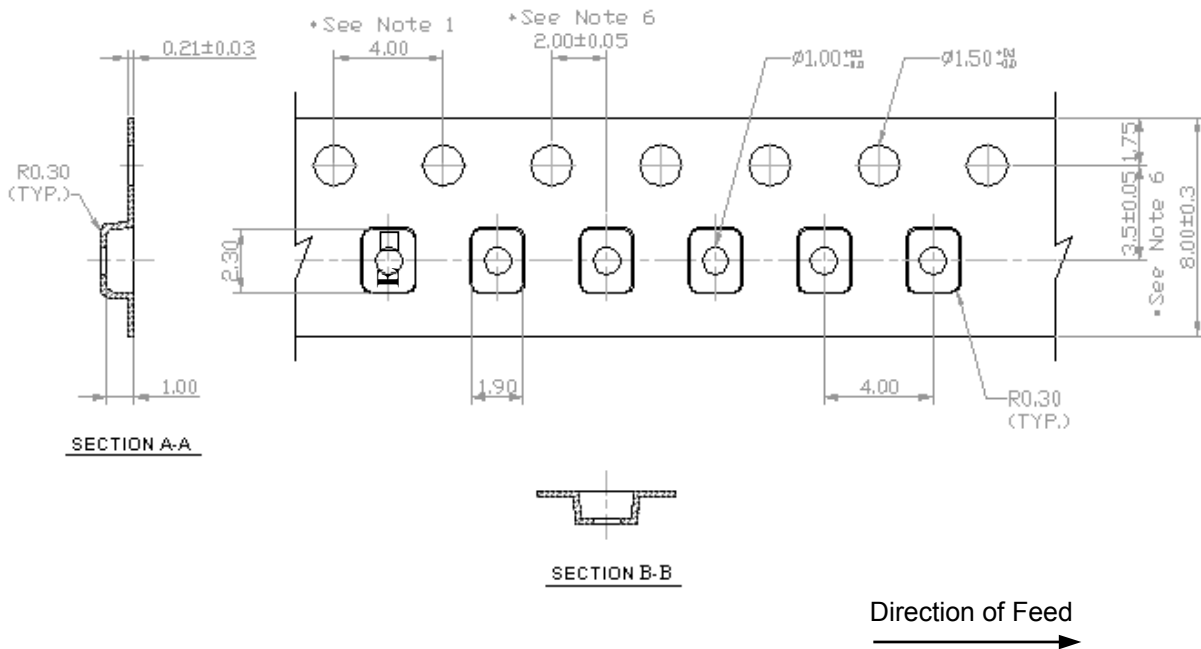
G. PACKING:

1. REEL DIMENSION

(Reel Count : 7"=2000 typ. ; 13"=10000 typ.)



2. TAPE DIMENSION



H. RECOMMENDED REFLOW PROFILE :

