

Flyback Transformer

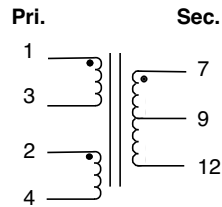
EPA3572G

- Low Profile Surface Mount Package •
- Optimized to use with power supply •

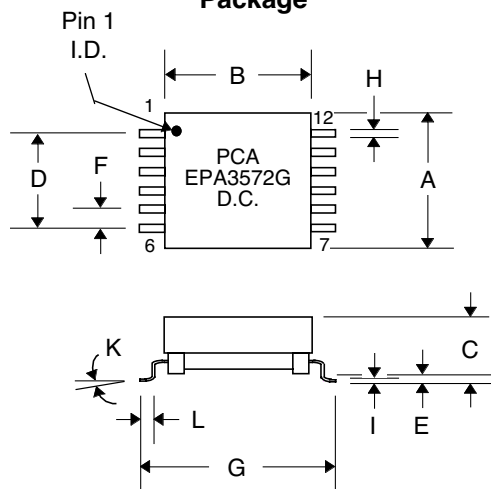
Electrical Parameters @ 25° C

Inductance (μ H)	Turns Ratio	DCR (Ω Max.)			Hipot (Vrms)
@ 100 KHz, 10 mVrms					
30.8 - 41.8	1:1, 1.273, 2.55	0.093	0.117	1.29	500
Pins 1,2 w/ Pins 3,4 shorted	Pins (1-3):(2-4),(7-9),(9-12)	Pins 1-3	Pins 2-4	Pins 7-12	Pri. to Sec. for 1 second

Schematic



Package



Dimensions

Dim.	(Inches)			(Millimeters)		
	Min.	Max.	Nom.	Min.	Max.	Nom.
A	---	.975	.800	---	24.77	20.32
B	---	.975	.800	---	24.77	20.32
C	---	.425	.410	---	10.80	10.41
D	---	---	.500	---	---	12.70
E	---	---	.015	---	---	.381
F	.085	.110	.100	2.16	2.79	2.54
G	---	---	.862	---	---	21.89
H	.015	.035	.026	.381	.889	.660
I	---	---	.020	---	---	.508
J	0°	8°	---	0°	8°	---
K	.030	.050	.040	.762	1.27	1.02