

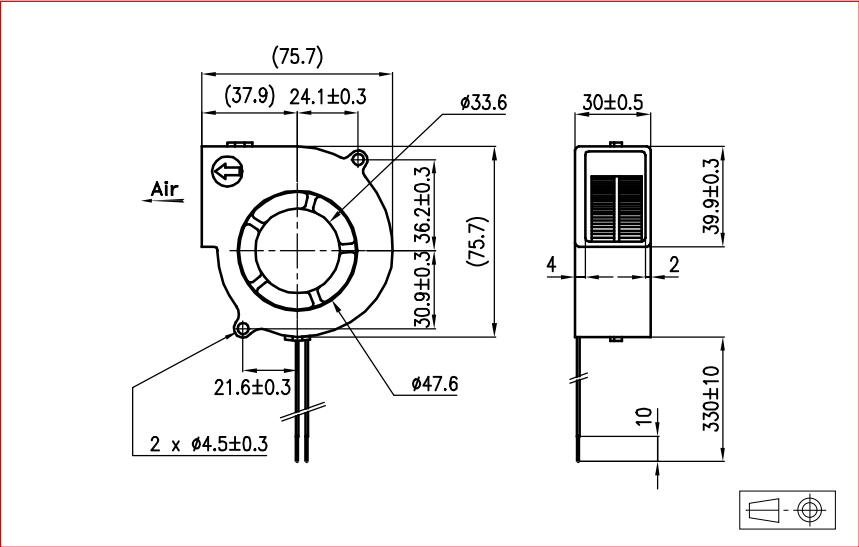


Approvals



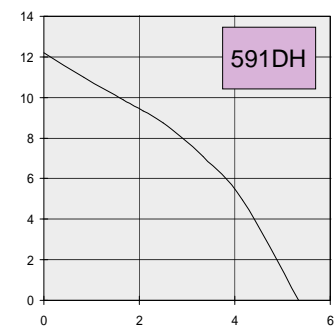
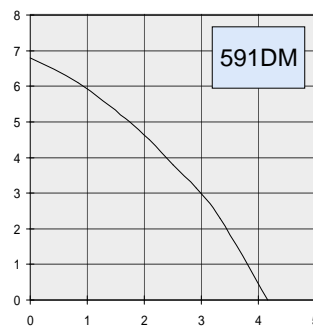
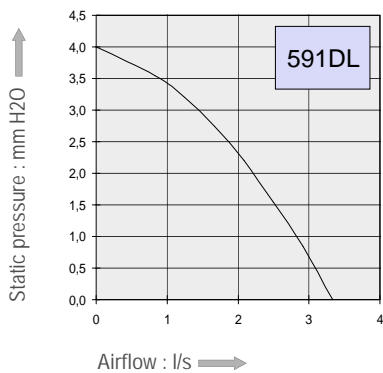
Life expectancy

L-10 LIFE AT 40°C:  
25 000 hours



Brushless DC Motor  
 Electrical protection: impedance protected  
 Housing material: plastic UL 94 VO  
 Impeller material: plastic UL 94 VO  
 Weight: 95 g

Available with:  
 - speed sensor  
 - alarm



Part Number	Nominal voltage	Airflow	Noise level	Nominal speed	Input power	Voltage range	Bearing system		Connection type		Operating temperature	
	V	l/s	dB(A)	RPM	W	V	Ball	Sleeve	Leads	Terminals	Min. °C	Max. °C
591DL1LP11000	12	3,3	26	1900	0,72	(7-13,8)	X		X		-10	60
591DL2LP11000	24	3,3	26	1900	1,20	(14-27,6)	X		X		-10	60
591DM1LP11000	12	4,2	32	2350	1,56	(7-13,8)	X		X		-10	60
591DM2LP11000	24	4,2	32	2350	1,68	(14-27,6)	X		X		-10	60
591DH1LP11000	12	5,3	38	2900	2,64	(7-13,8)	X		X		-10	60
591DH2LP11000	24	5,3	38	2900	2,88	(14-27,6)	X		X		-10	60