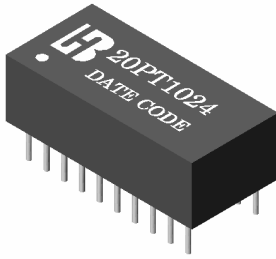


10/100 BASE-TX LAN MAGNETICS FOR AUTO MDI/MDIX APPLICATION

P/N:20PT1024 DATA SHEET

Feature



- Compliant with IEEE 802.3u and ANSI X3.263 standards including 350 Ω H OCL with 8mA Bias.
- Symmetrical TX and RX channels for Auto MDI/MDIX capability.
- Approved for use with the Broadcom BCM 5226 and Level One LXT9784.
- Operating temperature range : 0°C to +70°C.
- Storage temperature range: -25°C to +125°C.

Electrical Specifications @ 25°C

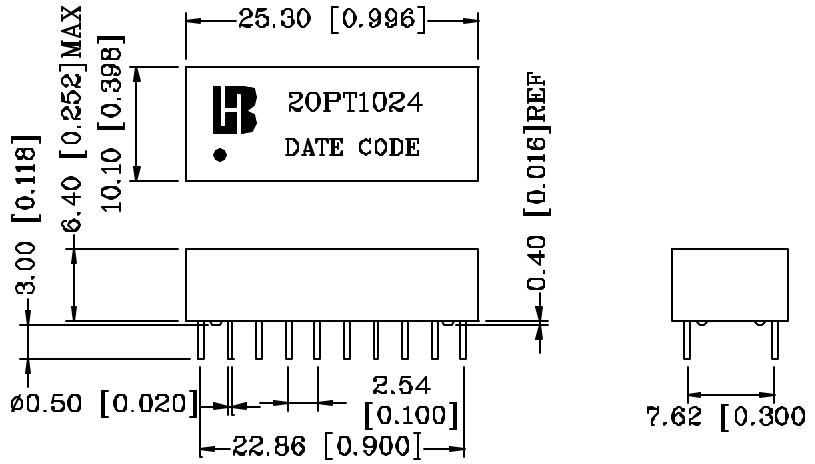
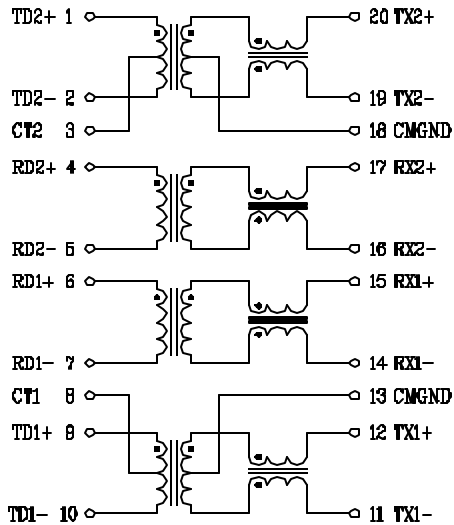
Part Number	Turns Ratio ($\pm 5\%$)		OCL(i H Min) @100KHz/0.1Vrms 8mA DC/Bias	Cw/w (pF Max)	Insulation Resistance (M Ω) @ 50Vdc	DCR (TX /RX) (Ω Max)	HI-POT (Vrms)
	TX	RX					
20PT1024	1CT:1CT	1:1	350	50	10,000	0.9	1500

Continue

Part Number	Insertion Loss (dB Max)		Return Loss (dB Min)		Cross talk (dB Min)		DCMR (dB Min)		
	0.3-100MHz	0.3-30MHz	30-60MHz	60-80MHz	0.3-60MHz	60-100MHz	0.3-30MHz	30-60MHz	60-100MHz
20PT1024	-1.1	-18	-14	-12	-40	-35	-38	-33	-30

Schematic

Mechanical



Units: mm[Inches] Tolerance: xx.x0 \pm 0.25[0.010]
0.xx \pm 0.05[0.002]