

**P/N: 16ST1081 LF DATA SHEET****Feature**

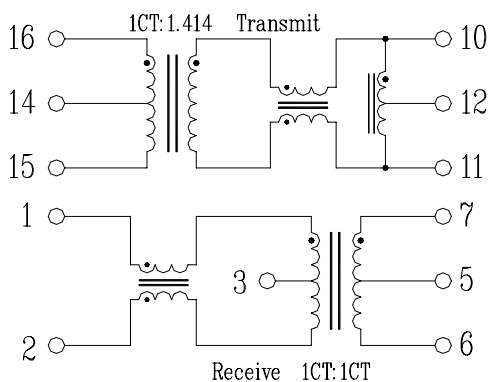
- Meets all IEEE802.3 and ANSI X3.263 standards including 350uH OCL with 8mA Bias.
- Designed for use with transceivers from AMD , KENDIN Semiconductor , and Quality Semiconductor.
- IC grade transfer-molded package suitable for reflow soldering temperatures up to 235 .
- Patented interlock base construction for high reliability.
- Lead free for external pins.
- Operating temperature range:0 to +70 .
- Storage temperature range:-25 to +125 .

**Electrical Specifications @ 25°C**

Part Number	Turns Ratio (±5%)		OCL(uH Min) @100KHz/0.1Vrms with 8mA/DC Bias	L.L (uH Max)		C <sub>www</sub> (pF Max)	HI-POT (Vrms)
	RX	TX		Pin7-6(1-2 short)	Pin10-11(16-15 short)		
16ST1081 LF	1CT:1CT	1CT:1.414	350	0.5	0.8	28	1500

**Continue**

Part Number	Insertion Loss RX/TX(dB Max)	Return Loss RX/TX(dB Min)			Cross talk (dB Min)	
	0.3-100 MHz	30MHz	60MHz	80MHz	0.3-60MHz	60-100MHz
16ST1081 LF	-1.15/-2.0	-18/-16	-12/-10	-11/-9.0	-45	-35

**Schematic****Mechanical**