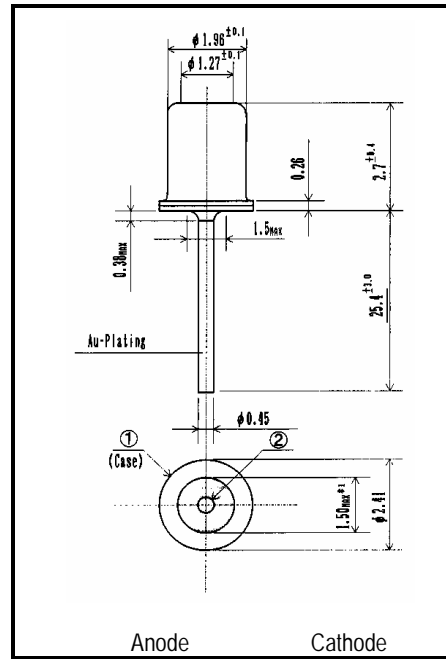


MTPS8085FT

Point Source LED

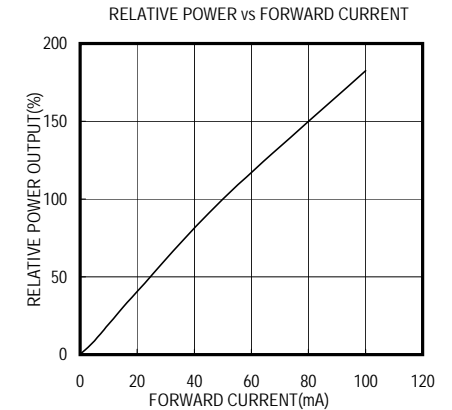
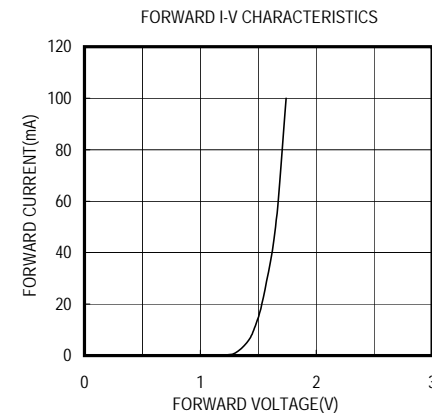


- FEATURES**
- Point-Source LED
 - Emitting Window Dia. 150 μm
 - High-output Power
 - Small Temp. Coefficient of PO
 - Compact (2mm)



2.ELECTRICAL & OPTICAL CHARACTERISTICS (Ta=25)

ITEM	SYMBOL	CONDITIONS	MIN	TYP	MAX	UNIT
Power Output	PO	IF=50mA	0.6	1.0		mW
Forward Voltage	VF	IF=50mA		1.7	2.2	V
Reverse Current	IR	VR=5V			100	μA
Peak Wavelength	p	IF=50mA		855		nm
Spectral Line Half Width		IF=50mA		30		nm
Half Intensity Beam Angle		IF=50mA		±25		deg.

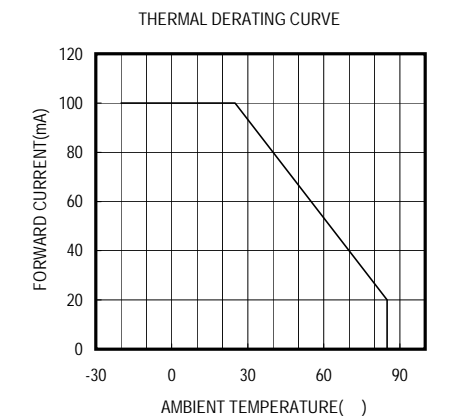
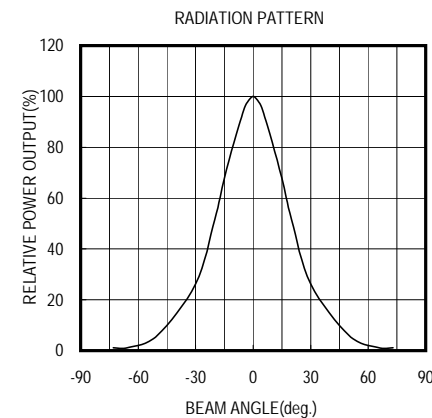
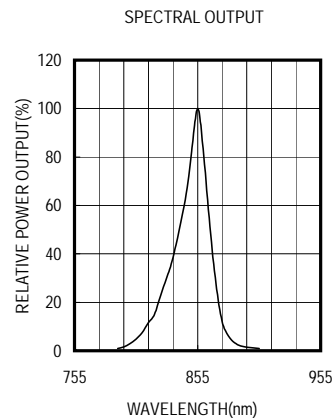


- APPLICATIONS**
- Optical Switches
 - Edge Sensing (Coin Dispenser)

1. ABSOLUTE MAXIMUM RATINGS (Ta=25)

ITEM	SYMBOL	RATINGS	UNIT
Forward Current (DC)	IF	80	mA
Forward Current (Pulse)*1	IFP	0.4	A
Reverse Voltage	VR	5	V
Power Dissipation	PD	140	mW
Operating Temp.	Topr	-20 TO 85	
Storage Temp.	Tstg	-30 TO 100	

*1:Tw=10uS,T=10mS



To purchase this part contact
Marktech Optoelectronics at
800.984.5337

Marktech
Optoelectronics
www.marktechopto.com

