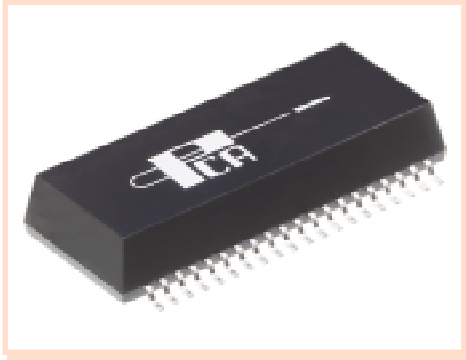


10 Base-T Multiport Module for CS8904 Quad PHY

EPE6275S

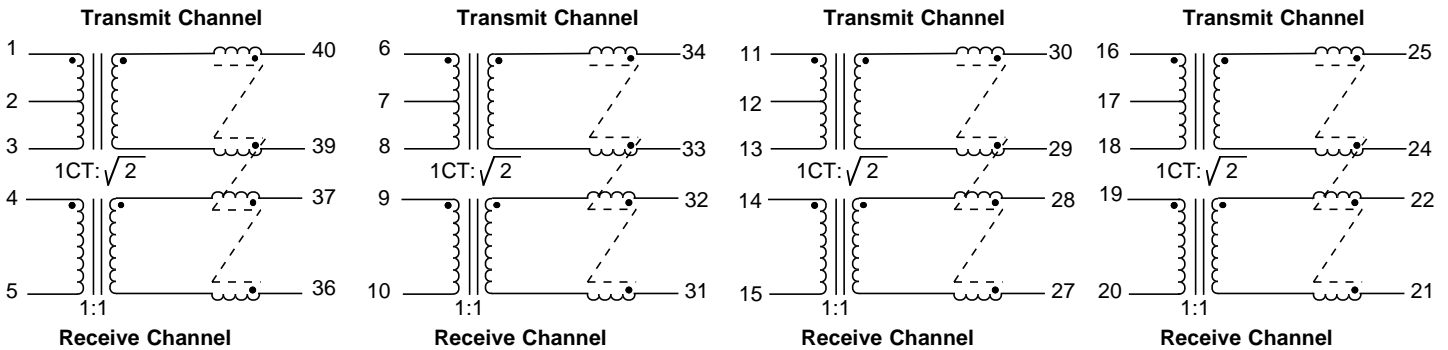


- Cost competitive solution for 4 port 10 Base-T switches •
- Also recommended for TI Quad PHY and similar quad chips •
- Robust design allows for most sever soldering processes •
- Complies with or exceeds IEEE Requirements •

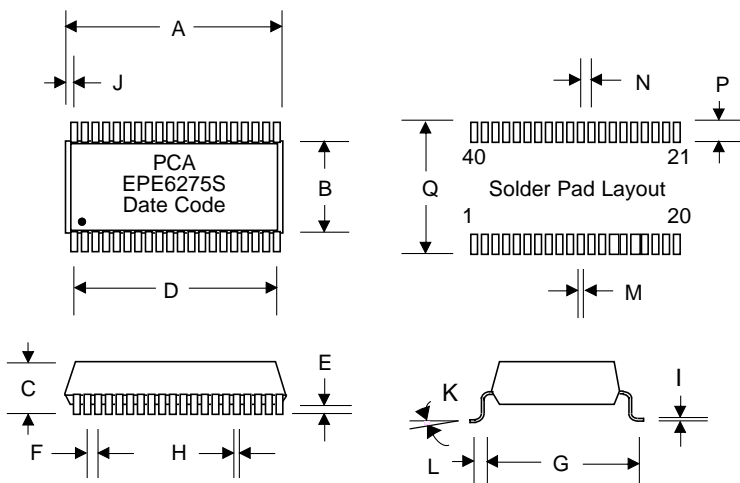
Electrical Parameters @ 25° C

Inductance (μ H Min.)	Return Loss (dB Min.)	CMRR (dB Min.)		Isolation (Vrms)
		1-100 MHz XMIT	1-100 MHz RCV	
@ 100 KHz, 0.1 Vrms	5MHz-10MHz @ 100 Ω			
200	-15	-25	-20	1500

Schematic



Package



Dimensions

Dim.	(Inches)			(millimeters)		
	Min.	Max.	Nom.	Min.	Max.	Nom.
A	1.110	1.130		28.19	28.70	
B	.470	.490		11.94	12.45	
C	.240	.250		6.10	6.35	
D	.950	Typ.		24.13	Typ.	
E	.008	.012		.203	.305	
F	.050	Typ.		1.27	Typ.	
G	.620	.630		15.75..	16.00	
H	.016	.022.		.406	.559	
I	.008	.012		.203	.305	
J	.085	Typ.		2.16	Typ.	
K	0°	8°		0°	8°	
L	.045	Typ.		1.14	Typ.	
M			.030			.762
N			.050			1.27
P			.090			2.29
Q			.670			17.02