



Data Sheet



Product Category: RF SAW Filter

Part Number	Package	Application	Last Modified
805-RF433.92M-B	5.0 x 5.0 SMD	Remote Control	Jan. 01, 2007

TYPE :

Remote Control, RF SAW Filter



PART NUMBER :

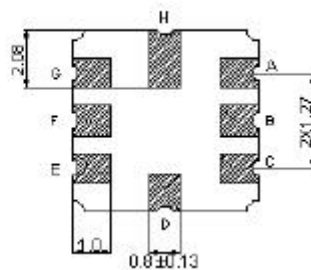
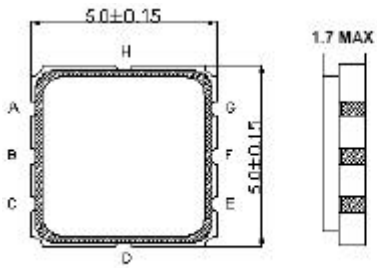
805-RF433.92M-B

OPERATING CONDITIONS / ELECTRICAL CHARACTERISTICS

PARAMETERS	Condition	Minimum	Typical	Maximum	Units
Center Frequency (Fo)	-	-	433.92	-	MHz
Minimum Insertion Loss	433.8 ~ 434.12MHz	-	2.2	4.0	dB
Passband Relative	434.76 ~ 434.08 MHz	-	-	2.0	dB
	433.74 ~ 434.10 MHz	-	-	3.0	
	433.68 ~ 434.16 MHz	-	-	6.0	
Relative Attenuation	10.0 ~ 414.0 MHz	45	48	-	dB
	414.0 ~ 428.0 MHz	40	43	-	
	428.0 ~ 432.92.0MHz	15	19	-	
	434.92 ~ 442.0 MHz	10	14	-	
	442.0 ~ 550.0 MHz	35	38	-	
	550.0 ~ 1000.0 MHz	45	50	-	
	Turnover To	-	25	-	deg. C
Relative Pass bandwidth (BW3)	-	670	720	-	KHz
Source Impedance (single ended)*	-	-	50	-	ohm
Load Impedance (single ended)*	-	-	50	-	ohm
Maximum DC Voltage	-	-	-	0	V
Maximum Input Power	-	-	-	10	dBm
Operating Temperature	-	-45	-	+120	°C

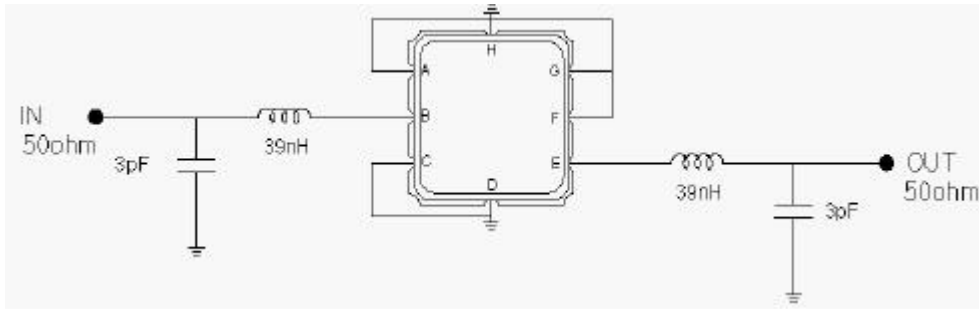
* No Matching Network

PACKAGE OUTLINE (mm)

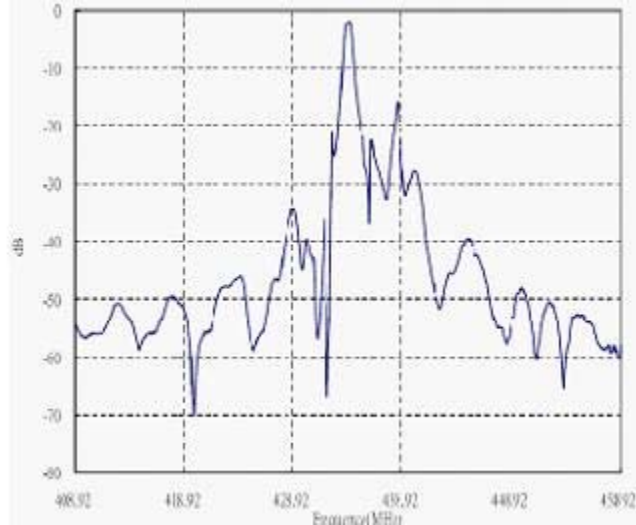
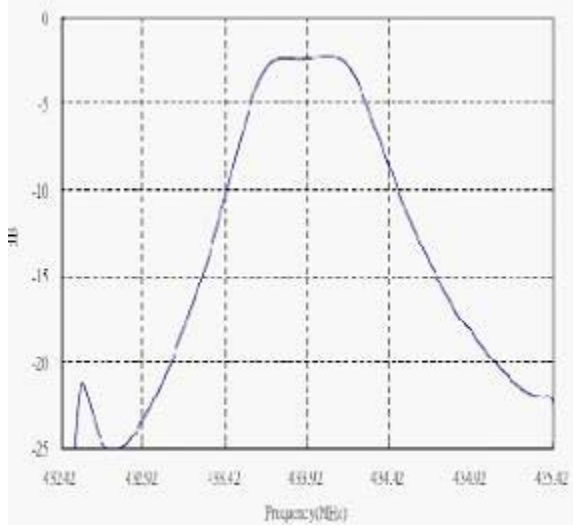


PIN LAYOUT	
A	Ground
B	In
C	Ground
D	Ground
E	Out
F	Ground
G	Ground
H	Ground

TEST FIXTURE



FREQUENCY RESPONSE



Oscilent Corporation - CALL **949.252.0522**

Part No.: 805-RF433.92M-B

18195 East McDermott Street , Building D , Irvine , CA 92614 , USA
 Fax: 949.252.0599 , E-Mail: Sales@Oscilent.com