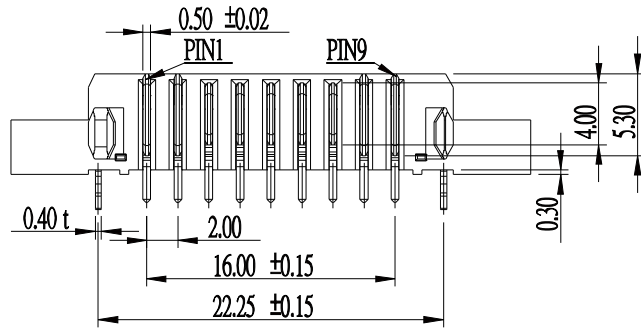
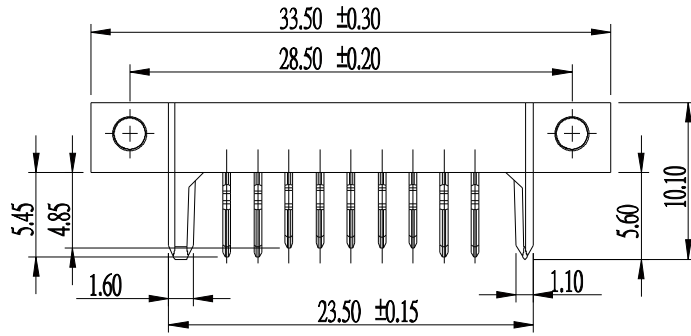




HSF

Level-1 Controlled Substances are banned



NOTE:

200045MR009 GX 85ZR

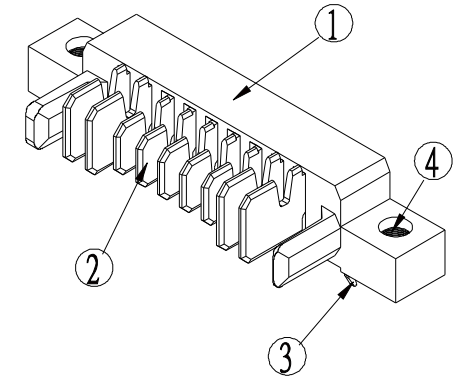
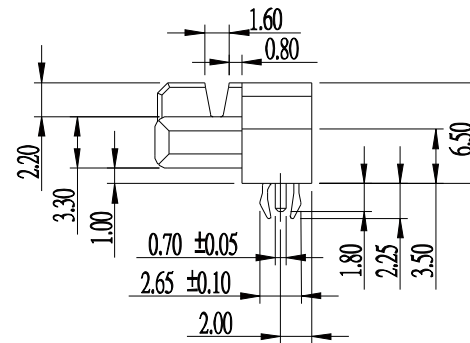
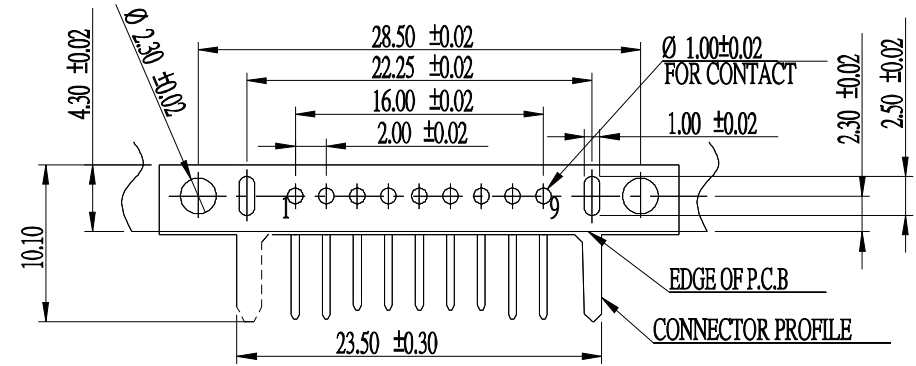
1. PLATING

- G1-5U" GOLD OVER NICKEL.
- G2-GOLD FLASH OVER 30 U"MIN. NICKEL.
- G3-10U" GOLD OVER NICKEL.
- G4-15U" GOLD OVER NICKEL.
- G5-30U" GOLD OVER NICKEL.
- G6-50U" GOLD OVER NICKEL.

RECOMMENDED P.C.B LAYOUT (COMPONENT SIDE)

P.C.B THICKNESS=1.40mm

WITH LOCKING FUNCTION



4	NUT	BRONZE		
3	FORK	COPPER ALLOY		TIN PLATED
2	TERMINAL	COPPER ALLOY		GOLD PLATED
1	PLASTICS	HIGH TEMP. PLASTICS	BLACK	UL 94V-0
NO.	DESCRIPTION	MATERIAL	COLOR	REMARK

SUYIN CONNECTOR

CUSTOMER COPY	TITLE: 2.00mm PITCH BATTERY CONN.			
PART NO.		200045MR009GX85ZR		
PRODUCT SPEC.		200045MRXXXXX85XX		
FILE NAME.	D	200045MR009GX85ZR-C		
SCALE	2:1	UNIT:mm	A4	SHEET: 1 of 2

					Angle	±2°	DRAW	邱清蘭	08/08/08	
					30 -	±0.50	DESIGN	邱清蘭	08/08/08	
	0		NEW RELEASE	邱清蘭	10 ~ 30	±0.30	CHECK	程夢麗	08/08/08	
DCBS-080722-10	PB	08/07/22	PB:由PA版恢復PO版	王鵬	~ 10	±0.15	APPRO.	張裕奇	08/08/08	
ECN(DCN) NO.	REV	DATE	DESCRIPTION	CHANGE	APPRO.	GENERAL TOLERANCE UNLESS OTHERWISE NOTED	APPRO.	張裕奇	08/08/08	

Original:Draw: 譚貴學 Design: 譚貴學 Check: 楊國輝 Appr: 許俊賢 發行日期: 07/10/20

071020-BC101