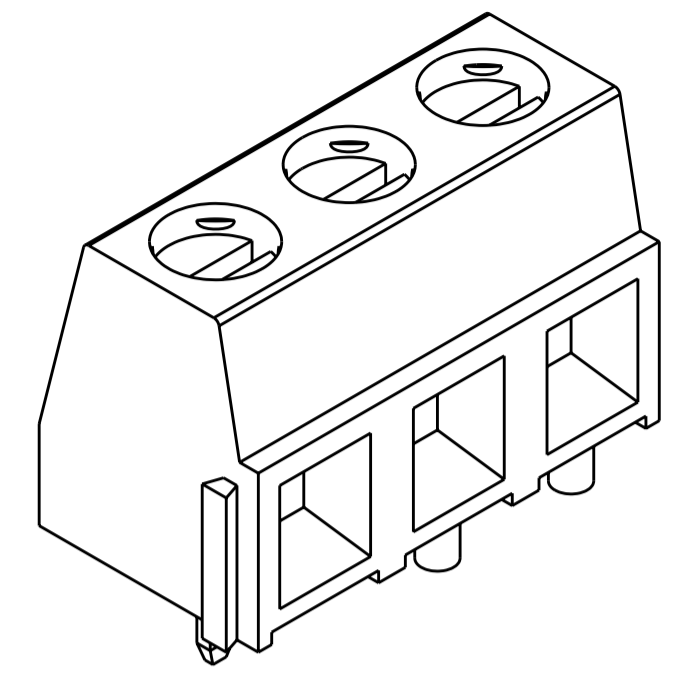
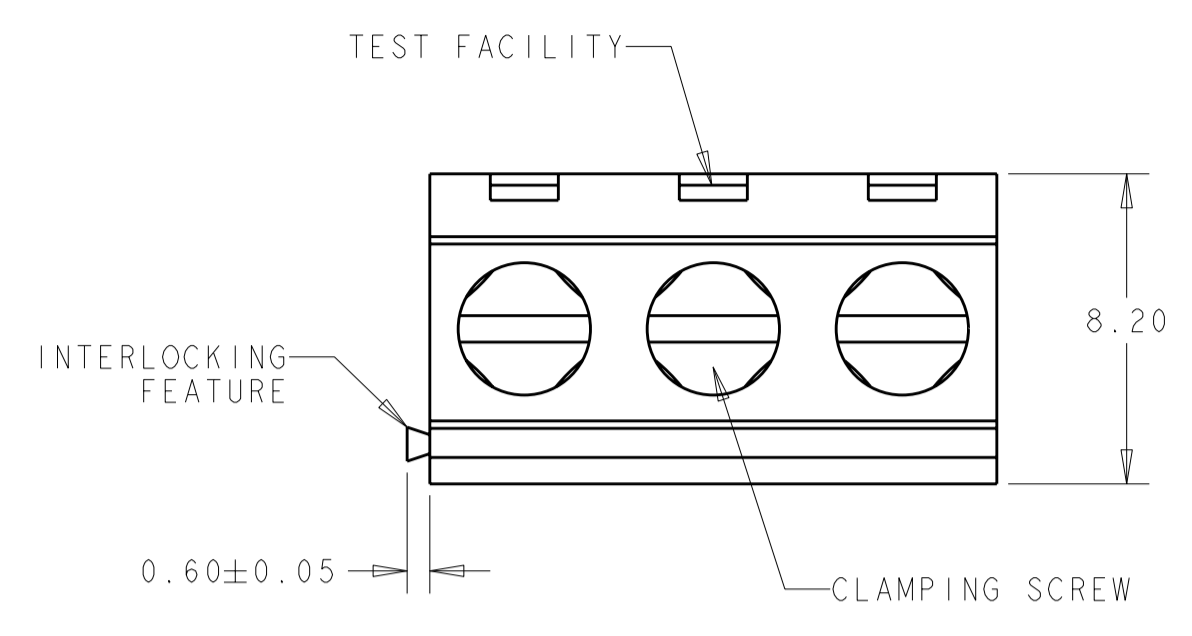
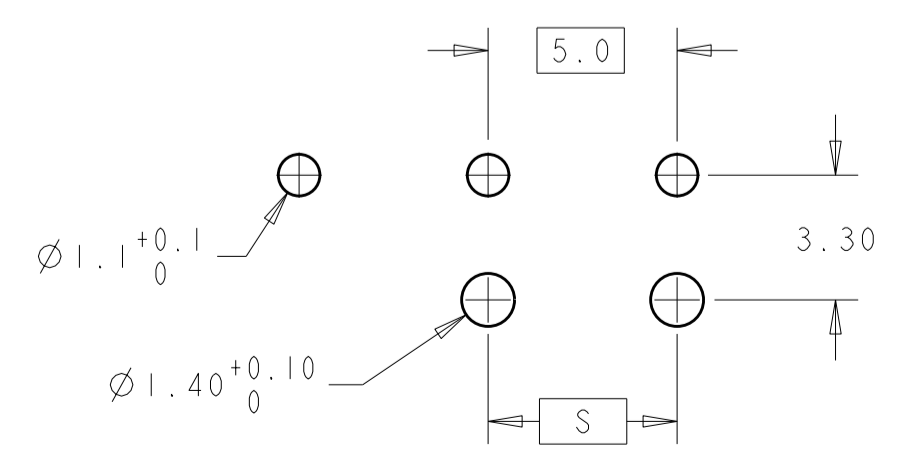
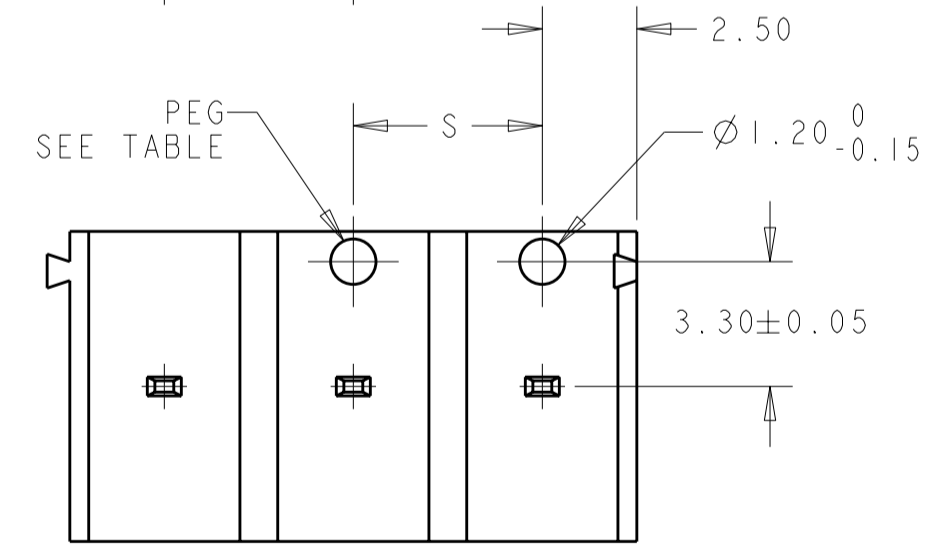
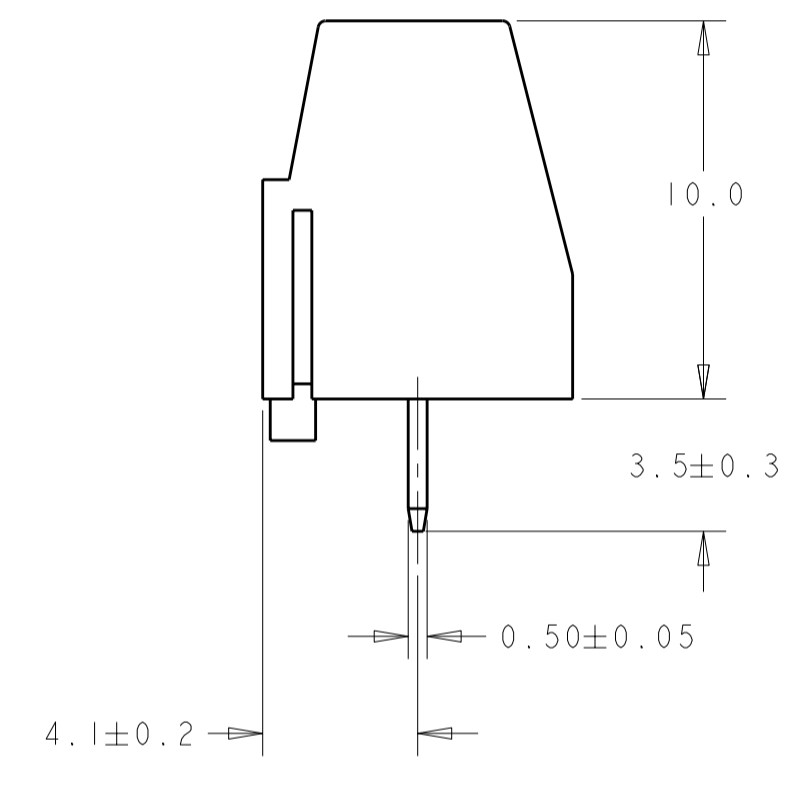
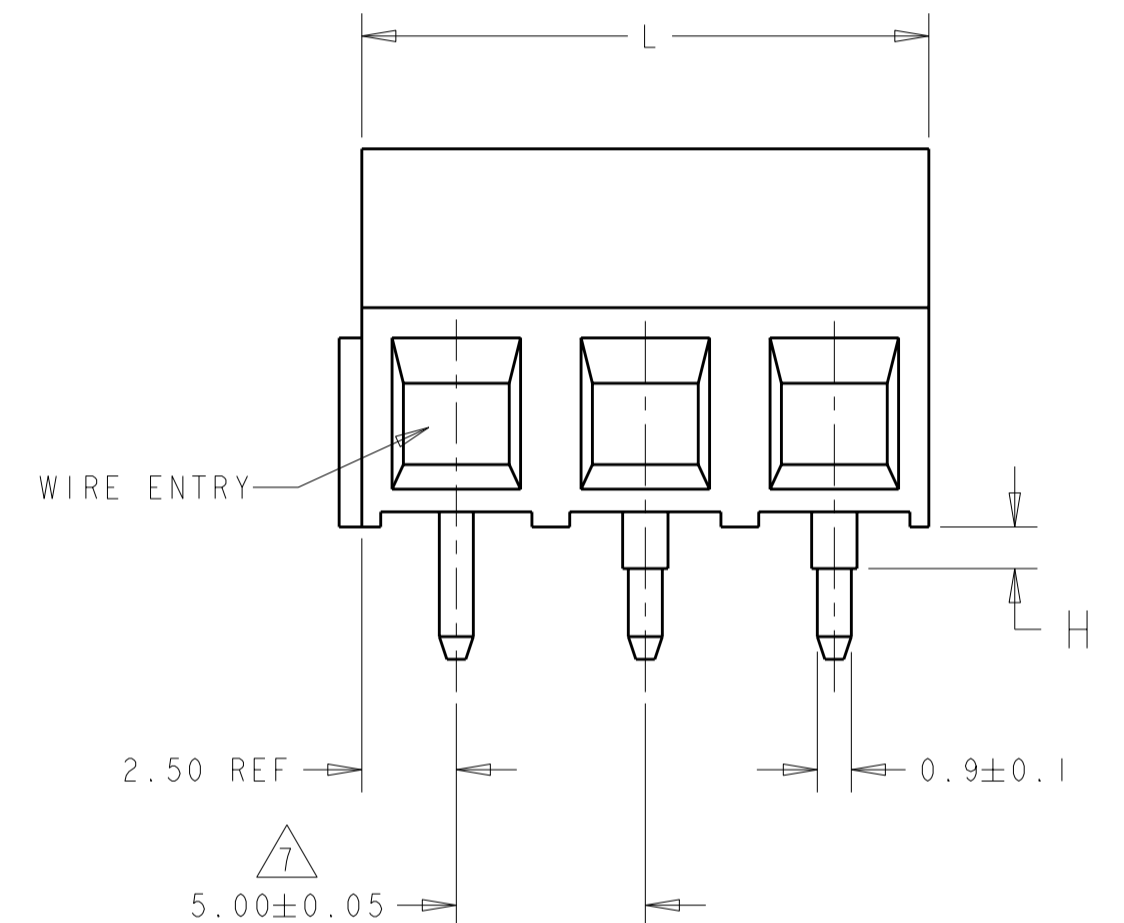


THIS DRAWING IS UNPUBLISHED. RELEASED FOR PUBLICATION 20
 © COPYRIGHT 20 BY TYCO ELECTRONICS CORPORATION. ALL RIGHTS RESERVED.

LOC		DIST		REVISIONS			
P	LTR	DESCRIPTION		DATE	DWN	APVD	
	H7	REVISED PER ECO-09-021031		15SEP2009	HMR	CR	



SEE SHEET 2



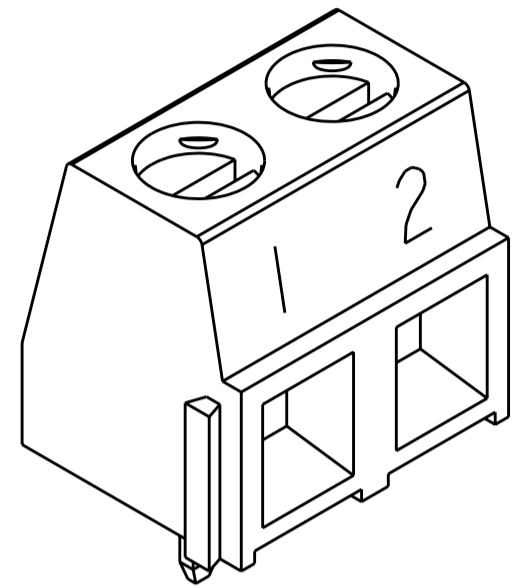
RECOMMENDED PC BOARD LAYOUT

QTY	S	H	MARKING	L	NO OF POSN	PART NUMBER
1	N/A	3.5	SEE SHEET 2	15	3	3-282836-5
1	N/A	3.5	-	30	6	3-282836-4
1	N/A	3.5	-	25	5	3-282836-3
1	N/A	3.5	-	20	4	3-282836-2
1	N/A	3.5	-	10	2	3-282836-1
1	N/A	3.5	-	40	8	3-282836-0
1	N/A	3.5	-	45	9	2-282836-8
0	N/A	N/A	SEE SHEET 2	30	6	2-282836-7
0	N/A	N/A	-	125	25	2-282836-6
0	N/A	N/A	-	120	24	2-282836-5
0	N/A	N/A	-	115	23	2-282836-4
0	N/A	N/A	-	110	22	2-282836-3
0	N/A	N/A	-	105	21	2-282836-2
0	N/A	N/A	-	100	20	2-282836-1
0	N/A	N/A	-	95	19	2-282836-0
0	N/A	N/A	-	90	18	1-282836-9
0	N/A	N/A	-	85	17	1-282836-8
0	N/A	N/A	-	80	16	1-282836-7
0	N/A	N/A	-	75	15	1-282836-6
0	N/A	N/A	-	70	14	1-282836-5
0	N/A	N/A	-	65	13	1-282836-4
0	N/A	N/A	SEE SHEET 2	10	2	1-282836-3
0	N/A	N/A	-	60	12	1-282836-2
0	N/A	N/A	-	55	11	1-282836-1
0	N/A	N/A	-	50	10	1-282836-0
0	N/A	N/A	-	45	9	282836-9
0	N/A	N/A	-	40	8	282836-8
0	N/A	N/A	-	35	7	282836-7
0	N/A	N/A	-	30	6	282836-6
0	N/A	N/A	-	25	5	282836-5
0	N/A	N/A	-	20	4	282836-4
0	N/A	N/A	-	15	3	282836-3
0	N/A	N/A	-	10	2	282836-2
2	5.0	1.1	-	10	2	282836-1

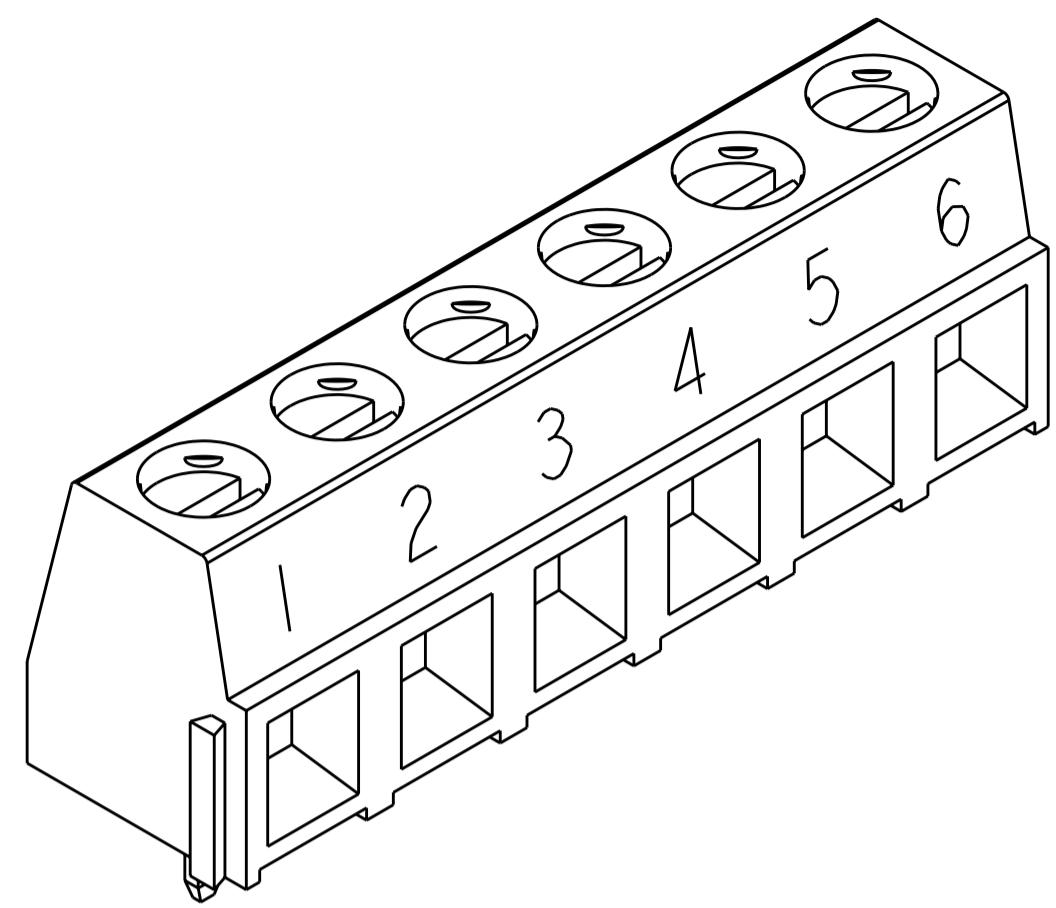
THIS DRAWING IS A CONTROLLED DOCUMENT FOR TYCO ELECTRONICS CORPORATION IT IS SUBJECT TO CHANGE AND THE CONTROLLING ENGINEERING ORGANIZATION SHOULD BE CONTACTED FOR THE LATEST REVISION.		DWN S. WELDON 28SEP2007 CHK C. RICHARD 28SEP2007 APVD C. RICHARD 28SEP2007	Tyco Electronics Harrisburg, PA 17105-3608
DIMENSIONS: mm	TOLERANCES UNLESS OTHERWISE SPECIFIED: 0 PLC ± 1 PLC ±0.2 2 PLC ±0.15 3 PLC ±0.000 4 PLC ±0.0000 ANGLES ±2° FINISH	PRODUCT SPEC APPLICATION SPEC WEIGHT	NAME TERMINAL BLOCK, PCB MOUNT, SIDE WIRE ENTRY, STACKING WITH INTERLOCK, 5.00mm PITCH
MATERIAL	FINISH	CUSTOMER DRAWING	SIZE A2 CAGE CODE 00779 DRAWING NO. C-282836 RESTRICTED TO
SCALE 2:1		SHEET 1 OF 2	REV. H7

THIS DRAWING IS UNPUBLISHED. RELEASED FOR PUBLICATION 20
 © COPYRIGHT 20 BY TYCO ELECTRONICS CORPORATION. ALL RIGHTS RESERVED.

LOC	DIST	REVISIONS			
P	LTR	DESCRIPTION	DATE	DWN	APVD
FT	0				
		SEE SHEET 1			

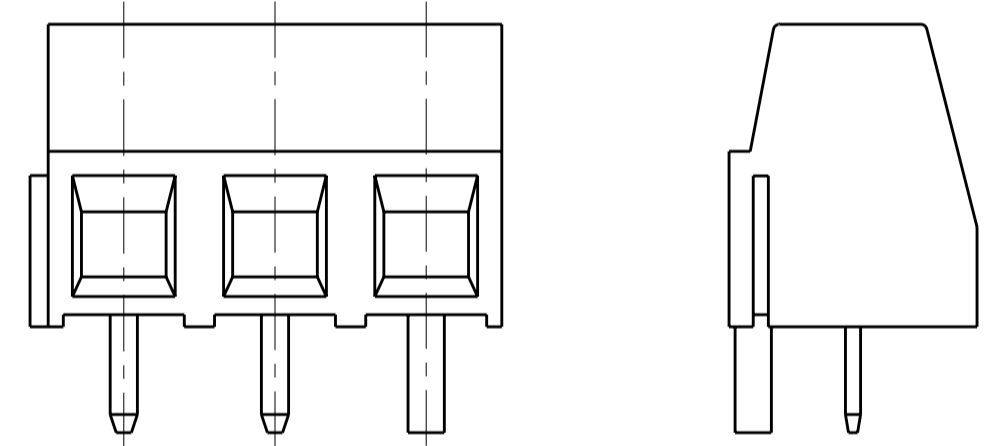
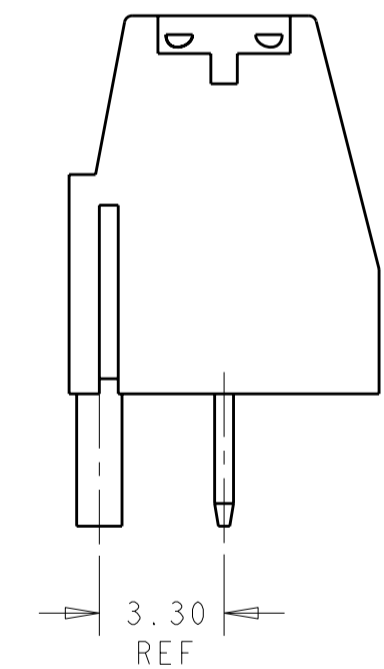
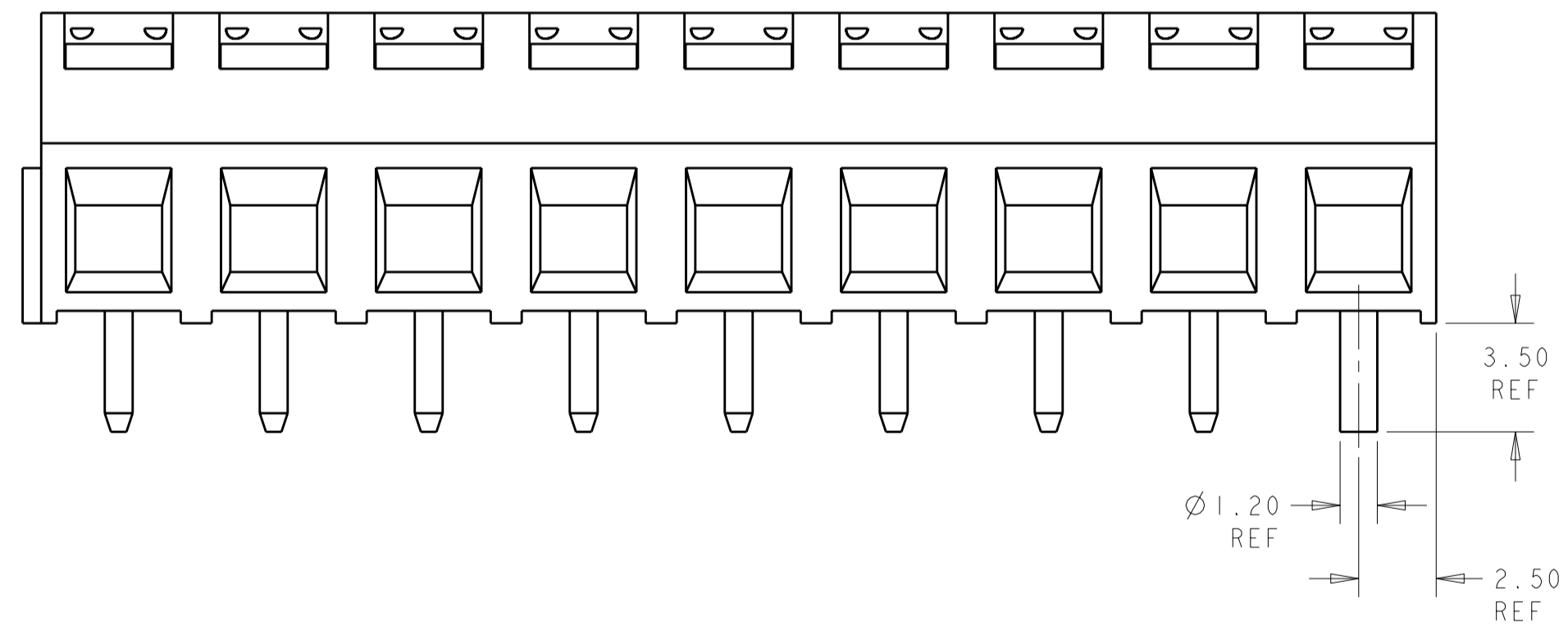


1-282836-3 AS SHOWN

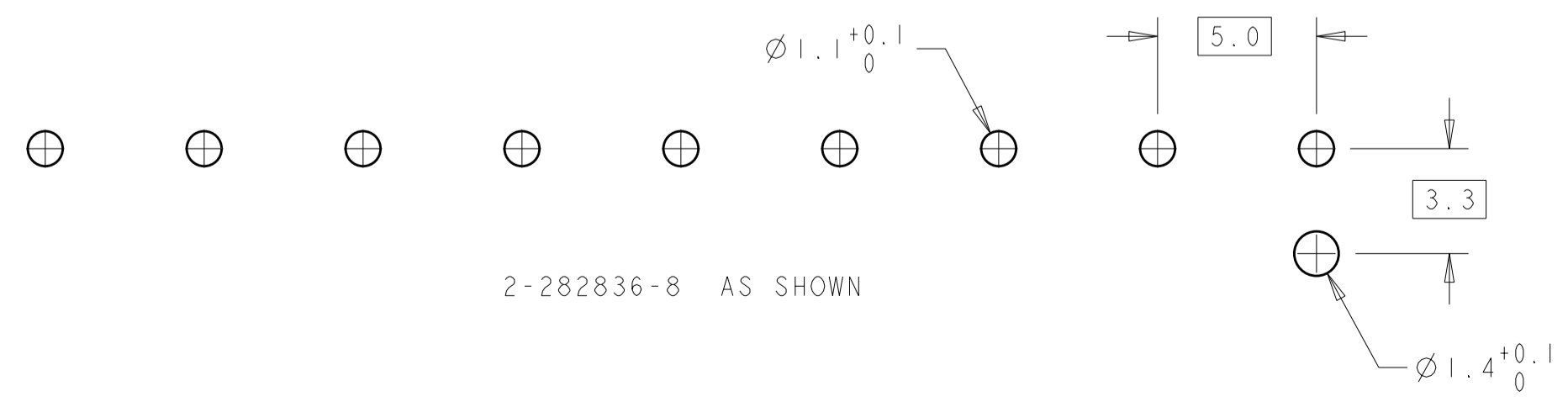


2-282836-7 AS SHOWN

- 1. MATERIAL AND FINISH
 HOUSING: PA 6-6, U; 94V-0 RATED, COLOR: GREEN.
 CLAMP: BRASS, NICKEL PLATED.
 TERMINAL: BRASS, TIN PLATED.
 CLAMPING SCREW: M3, BRASS, NICKEL PLATED.
- 2. SUITABLE FOR 1.6-2.4mm PC BOARD THICKNESS.
- 3. END-TO-END STACKABLE W/INTERLOCK WITHOUT LOSS OF CENTERLINE SPACING.
- 4. WIRE SIZE RANGE: 16-30 AWG
- 5. RECOGNIZED UNDER THE COMPONENT PROGRAM OF UNDERWRITERS LABORATORIES INC. FILE No E60677.
- 6. IMQ CERTIFICATE WITH SURVEILLANCE IN CONFORMITY WITH IEC 998-1/998-1-1.
- 7. NOT CUMULATIVE TOLERANCE.
- 8. INK MARKING, WHITE COLOR, UNLESS OTHERWISE SPECIFIED. NUMERICAL SEQUENCE FROM LEFT TO RIGHT, UNLESS OTHERWISE SPECIFIED.



3-282836-5 AS SHOWN



2-282836-8 AS SHOWN

<small>THIS DRAWING IS A CONTROLLED DOCUMENT FOR TYCO ELECTRONICS CORPORATION. IT IS SUBJECT TO CHANGE AND THE CONTROLLING ENGINEERING ORGANIZATION SHOULD BE CONTACTED FOR THE LATEST REVISION.</small>		DWN S. WELDON 28SEP2007 CHK C. RICHARD 28SEP2007 APVD C. RICHARD 28SEP2007	Tyco Electronics Harrisburg, PA 17105-3608
DIMENSIONS: mm	TOLERANCES UNLESS OTHERWISE SPECIFIED: 0 PLC ± 1 PLC ±0.2 2 PLC ±0.15 3 PLC ±0.000 4 PLC ±0.000 ANGLES FINISH	PRODUCT SPEC APPLICATION SPEC	NAME TERMINAL BLOCK, PCB MOUNT, SIDE WIRE ENTRY, STACKING WITH INTERLOCK, 5.00mm PITCH
MATERIAL		WEIGHT	SIZE CAGE CODE DRAWING NO RESTRICTED TO
			A200779C-282836
CUSTOMER DRAWING		SCALE 5:1	SHEET 2 OF 2 REV. H7