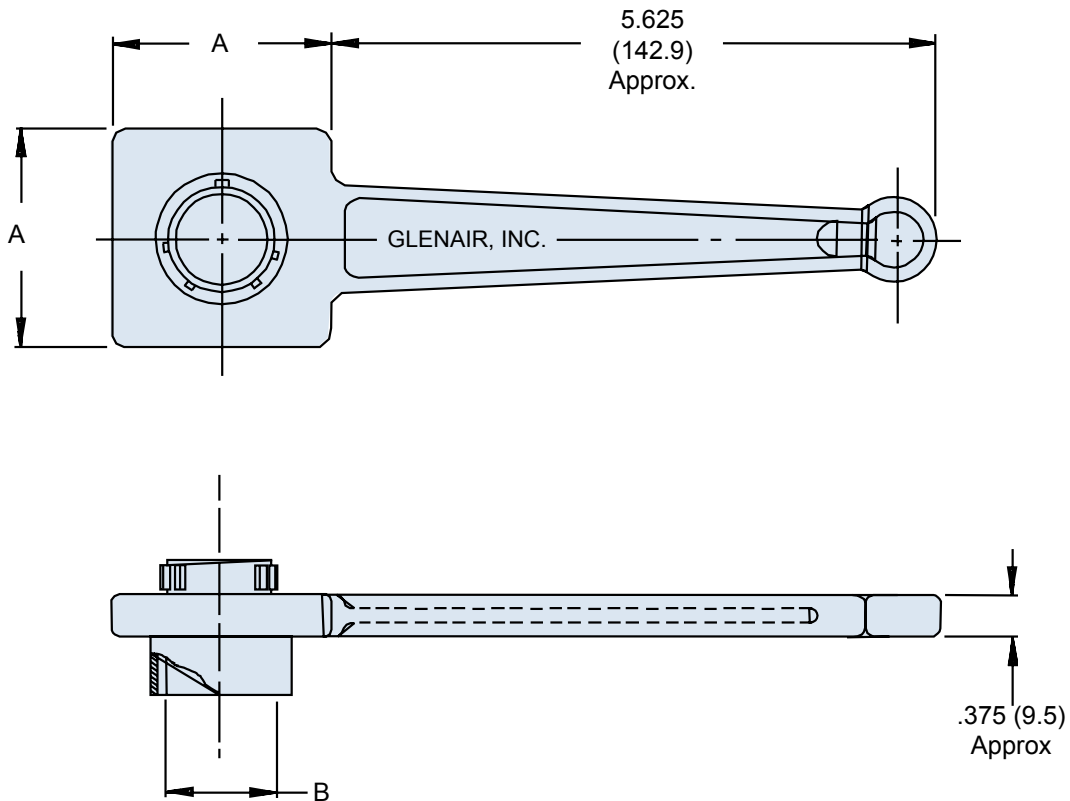
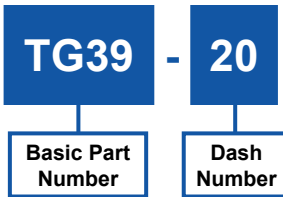


**TG39**  
**MIL-C-26482 Series I and II, MIL-C-83723 Series I,**  
**and NAS 1599 Connector Wrench**



| Shell Size | A Dim.<br>± .062 (1.6) | B Dia.<br>Ref. |
|------------|------------------------|----------------|
| 8          | 1.250 (31.8)           | .362 (9.2)     |
| 10         | 1.250 (31.8)           | .490 (12.4)    |
| 12         | 1.250 (31.8)           | .607 (15.4)    |
| 14         | 1.250 (31.8)           | .732 (18.6)    |
| 16         | 2.000 (50.8)           | .857 (21.8)    |
| 18         | 2.000 (50.8)           | .962 (24.4)    |
| 20         | 2.000 (50.8)           | 1.087 (27.6)   |
| 22         | 2.000 (50.8)           | 1.212 (30.8)   |
| 24         | 2.000 (50.8)           | 1.337 (34.0)   |

**APPLICATION NOTES**

1. Metric dimensions (mm) are indicated in parentheses.
2. Material: Aluminum alloy with electroless nickel finish.