

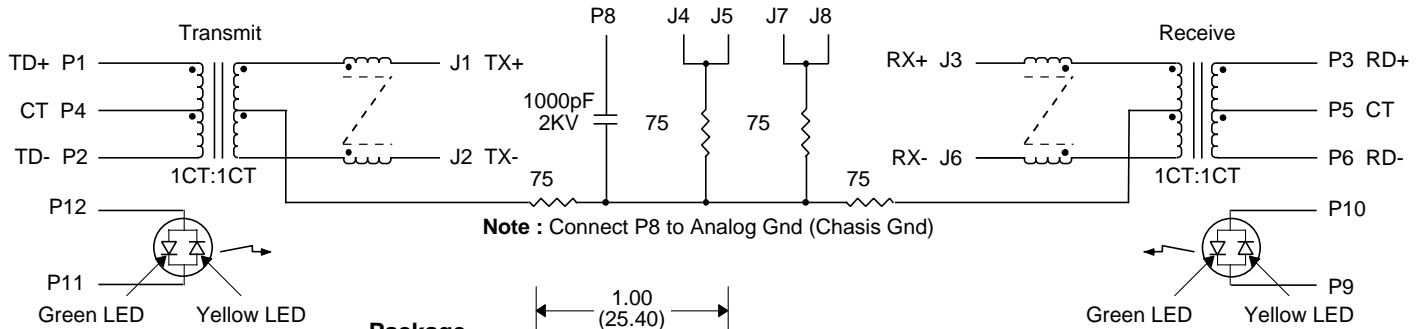
EPJ9632E-S9-RC

- Space Saving RJ-45 Connectors
- UL94V-0 Rated Connector Housing
- Complete Bob Smith Termination Included
- Operating Temperature : -40°C to +85°C
- MDI/MDI-X Compatible
- 1500 Vrms Isolation
- RoHS Compliant

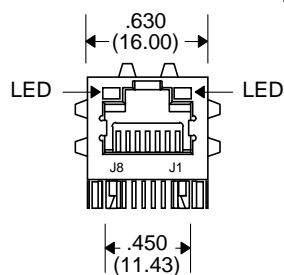
Electrical Parameters @ 25° C

Turns Ratio (± 3%)	OCL (µH Min.)	Insertion Loss (dB Max.)	Return Loss (dB Min.)				CMRR (dB Min.)		Crosstalk (dB Min.)		
			1-10 MHz	10-30 MHz	30-60 MHz	60-80 MHz	1-50 MHz	50 -150 MHz	1-30 MHz	30-60 MHz	60-100 MHz
Xmit/Rcv	@100 KHz, 0.1 Vrms 8 mA DC Bias	1-65 MHz	-20	-16	-12	-10	-30	-20	-40	-35	-30
1CT:1CT/1CT:1CT	350	-1.0	-20	-16	-12	-10	-30	-20	-40	-35	-30

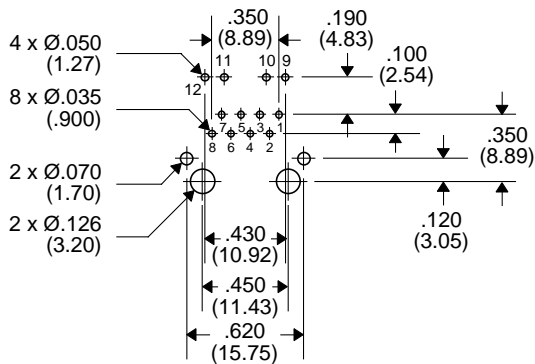
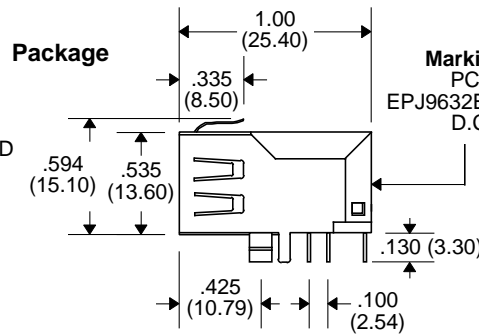
Schematic



Note : Connect P8 to Analog Gnd (Chasis Gnd)



Package



Suggested PCB Layout
(Component Side)

Notes :	EPJ9632E-S9-RC
1. Lead Finish	SnCu
2. Peak Temperature Rating (Wave Solder Process Only)	260°C
3. Moisture Sensitive Levels	MSL = 1 (72 Hours, 30°C/60%RH)
4. Weight	7.41 grams
5. Packaging Information	(Tray) 60 pieces/tray

Unless Otherwise Specified Dimensions are in Inches /mm ± .010 / .25