

ARK-6610-4M01E

Intel® Core™ 2 Duo
Mini-ITX System with
Front I/O & PCI Slot



Features

- **Intel 945GC platform**
 - Supports Intel LGA775 Core 2 Duo / Pentium 4 / Celeron processors with FSB 1066 / 800 MHz
 - Supports dual channel DDR2 533 / 667 SDRAM up to 2 GB
- **Compact with unlimited expandability**
 - Supports one full-height PCI expansion card
 - Front I/O design, with extra cutouts for 5 x COM, 2 x DVI/LVDS, 1 x S-Video, 2 x USB and WLAN Antenna
 - Shock-resistant drive bay for one slim optical drive and one 3.5" HDD
- **Innovative industrial design**
 - Front LED indicators for system fault detection
 - Power cord hook to keep PSU power cord in place

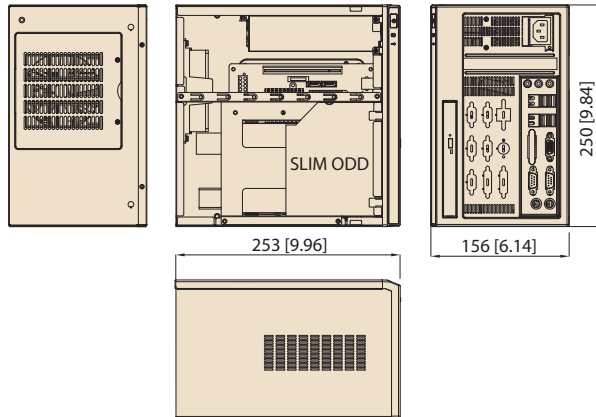


Specifications

Form Factor		Wallmount / Desktop			
Processor System	Chipset	Intel 945GC + ICH7			
	CPU	Core 2 Duo 1.86 GHz	Pentium Dual Core 1.8 GHz	Pentium 4 3.8 GHz	Celeron 2.0 GHz
	L2 Cache	2 MB	1 MB	2 MB	512 KB
	Front Side Bus	1066 MHz	800 MHz	800 MHz	800 MHz
	Memory	Dual channel DDR2 533 / 667 MHz up to 2 GB			
Graphics	Controller	Intel integrated graphics media accelerator 950			
	VRAM	Dynamically shared system memory up to 224 MB			
Expansion Slot	PCIe x 16	1			
Storage	Optical Drive (supported)	Slim DVD-ROM / CD-RW / CD-ROM			
	HDD (supported)	SATA			
Drive Bay	Slim ODD Bay	1			
	3.5" (internal)	1			
Ethernet	Interface	10/100/1000 Mbps Gigabit Ethernet			
	Controller	Realtek RTL8111C			
Front I/O Interface	USB	4			
	PS/2	2			
	COM	2 + 2 (available through extra cutouts)			
	Parallel	0			
	RJ-45	1			
	Audio	3 (Mic-in, Line-in, Line-Out)			
	VGA	1			
	Reserved Cutouts	5 x COM, 2 x DVI/LVDS, 1 x S-Video, 2 x USB and WLAN Antenna			
Operating System		Microsoft Windows 2000/ XP/ Vista			
Watchdog Timer	Output	Interrupt, system reset			
	Interval	Programmable 1 ~ 255 seconds			
Power Supply	Power Output Wattage	180 W			
	Input Range	AC 100 ~ 240 V			
Cooling	Chassis Fan	1 (9 cm / 52.5 CFM)			
	Air Filter	Yes			
Miscellaneous	Overheating Protection	System shut-down when over-heated			
	LED Indicators	Power, HDD, temperature			
	Control	Power on/off switch			
Environment	Temperature	Operating 0 ~ 40° C (32 ~ 104° F)		Non-Operating -20 ~ 60° C (-4 ~ 140° F)	
	Humidity	10 ~ 85% @ 40° C non-condensing		10 ~ 95% @ 40° C non-condensing	
Physical Characteristics	Dimensions (W x H x D)	250 x 156 x 253 mm (9.8" x 6.1" x 10")			
	Weight	4.8 kg (10.5 lb)			

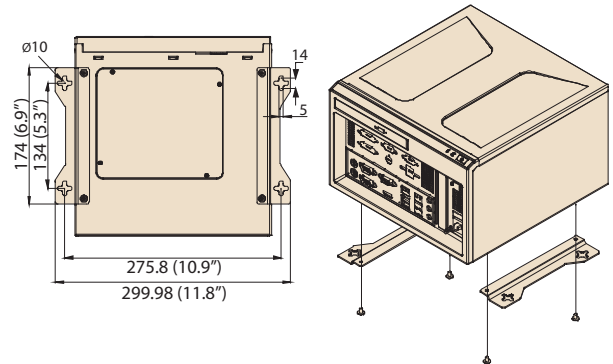
Dimensions

Unit: mm (inch)



Installation

Unit: mm (inch)



Ordering Information

Part Number	Chassis	Motherboard	Regulation
ARK-6610-4M01E	ARK-6610-18ZE Embedded Mini-ITX Chassis with 180 W power supply	AIMB-262VG-00A1E LGA775 Core 2 Duo / Pentium 4 Mini-ITX motherboard	UL, CB, CCC, CE, FCC

Power Cord Options

Part Number	Descriptions
1702002600	Power cord 125V/10A 1.8m, USA
1702002605	Power cord 250V/6A 1.8m, Europe
1702031801	Power cord 250V/5A 1.8m, UK
1702002605	Power cord 125V/12A 1.8m, Japan

Various cutouts:
5 x COM,
2 x DVI/LVDS,
1 x S/C-video,
2 x USB
Mini-ITX
motherboard



Power switch
HDD LED
Temperature
LED
One expansion slot
1U 180 W power
supply with power
cord hook

System fan
with filter



System vents



System fan
with filter

AC 180 W
PSU

Shockproof disk drive housing for one 3.5"
HDD and one slim-type optical drive