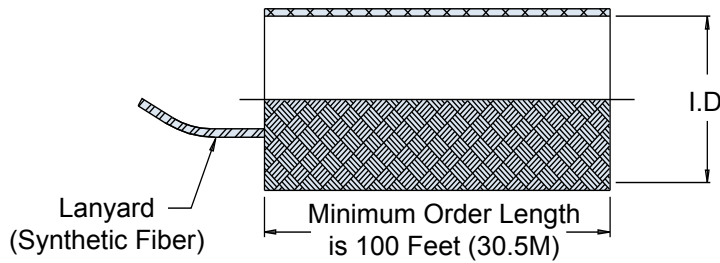
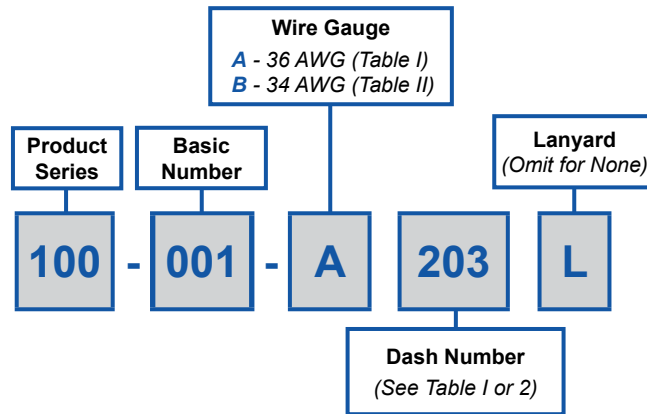




100-001
Tubular Metal Braid QQ-B-575B ASTM B33
Tin Coated Copper
for EMI Shielding Applications



APPLICATION NOTES

1. Consult factory for sizes not shown
2. Metric dimensions (mm) are indicated in parentheses.
3. Direct current ratings are given for information only. Values shown are for uninsulated braid in free air at 86°F (30°C). Actual values will depend on permissible temperature rise, voltage drop and other conditions of service. Values should be de-rated if the braid is insulated or in close contact with other components.



100-001
Tubular Metal Braid QQ-B-575B ASTM B33
Tin Coated Copper
for EMI Shielding Applications



TABLE I (36 AWG)

Dash No.	Fractional Equivalent	Nominal I.D.	No. of Carriers	No. of Ends	Current Rating Amps	Lbs./100 Ft. (Kg/30.5M)	Federal Specification No.
031	1/32	.031 (.8)	24	24	7.0	.20 (.09)	QQB575R36T031
062	1/16	.062 (1.6)	24	48	11.0	.40 (.18)	QQB575R36T062
078	5/64	.078 (2.0)	24	72	16.0	.60 (.27)	QQB575R36T078
109	7/64	.109 (2.8)	24	96	19.0	.83 (.38)	QQB575R36T109
125	1/8	.125 (3.2)	24	120	25.0	1.03 (.47)	QQB575R36T125
156	5/32	.156 (4.0)	24	240	40.0	2.09 (.95)	QQB575R36T156
171	11/64	.171 (4.3)	24	168	32.0	1.43 (.65)	QQB575R36T171
188	3/16	.188 (4.8)	24	192	33.0	1.63 (.74)	--
203	13/64	.203 (5.2)	24	312	46.0	2.80 (1.27)	QQB575R36T203
250	1/4	.250 (6.4)	24	384	53.0	3.45 (1.56)	QQB575R36T250
375	3/8	.375 (9.5)	48	384	53.0	3.95 (1.79)	QQB575R36T375
500	1/2	.500 (12.7)	48	528	62.0	4.77 (2.16)	QQB575R36T500
562	9/16	.562 (14.3)	48	624	73.0	5.00 (2.27)	--
625	5/8	.625 (15.9)	48	720	85.0	5.94 (2.69)	--
781	25/32	.781 (19.8)	48	864	88.0	7.35 (3.33)	QQB575R36T781
937	15/16	.937 (23.8)	64	640	65.0	5.83 (2.64)	--
1000	1	1.000 (25.4)	64	768	90.0	7.50 (3.40)	--
1250	1 1/4	1.250 (31.8)	72	792			
1375	1 3/8	1.375 (34.9)	72	864			
1500	1 1/2	1.500 (38.1)	72	936			
2000	2	2.000 (50.8)	96	1152			
2500	2 1/2	2.500 (63.5)	96	1248			

TABLE II (34 AWG)

Dash No.	Fractional Equivalent	Nominal I.D.	No. of Carriers	No. of Ends	Current Rating Amps	Lbs./100 Ft. (Kg/30.5M)	Federal Specification No.
062	1/16	.062 (1.6)	16	32	11.0	.43 (.20)	QQB575R34T062
109	7/64	.109 (2.8)	16	64	19.0	.82 (.37)	QQB575R34T109
125	1/8	.125 (3.2)	24	72	19.0	.92 (.42)	QQB575R34T125
171	11/64	.171 (4.3)	24	120	36.0	1.56 (.71)	QQB575R34T171
203	13/64	.203 (5.2)	24	192	46.0	2.79 (1.27)	QQB575R34T203
375	3/8	.375 (9.5)	48	240	53.0	3.27 (1.48)	QQB575R34T375
437	7/16	.437 (11.1)	48	288	44.2	3.93 (1.78)	--
500	1/2	.500 (12.7)	48	336	62.0	4.77 (2.16)	QQB575R34T500
781	25/32	.781 (19.8)	48	528	88.0	7.14 (3.24)	QQB575R34T781