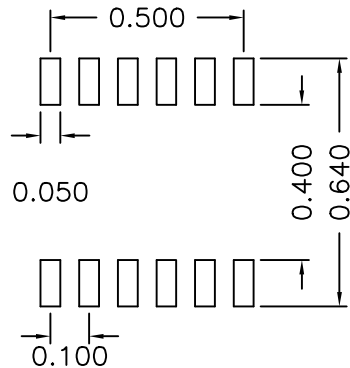
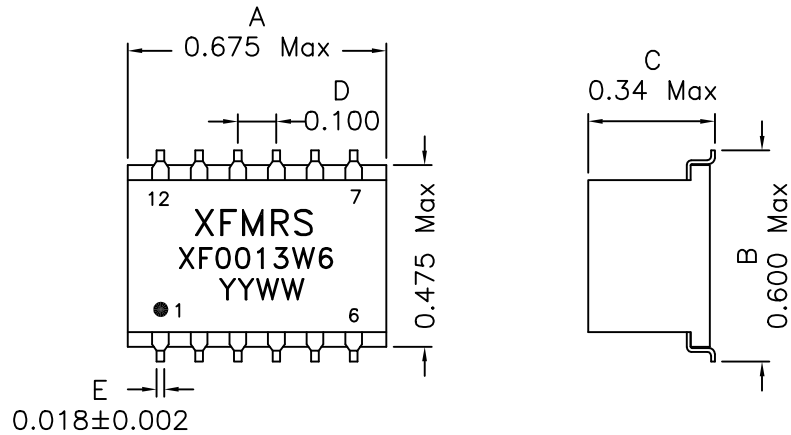


### 1. Dimensions:

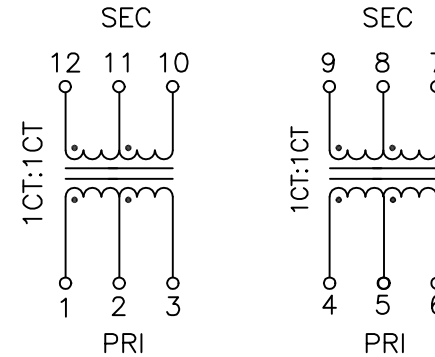


SUGGESTED PAD LAYOUT

Notes:

1. Solderability: Leads shall meet MIL-STD-202, Method 208D for solderability.
2. Flammability: UL94V-0
3. ASTM oxygen index: > 28%
4. Temperature rating: 155°C. UL file E151556
5. Operating Temperature Range: -40°C to +85°C
6. Meets UL1950, IEC950 & EN60950

### 2. Schematic:



### 3. Electrical Specifications: @25°C

Isolation Voltage: 1500 Vrms (PRI/SEC)

Turns Ratio: (1-2-3):(12-11-10)=1CT:1CT ±2%

Turns Ratio: (4-5-6):(9-8-7)=1CT:1CT ±2%

PRI OCL: 1.20mH Minimum @100KHz 50mV

Cw/w: 50pF Max @100KHz 50mV (PRI/SEC)

Leakage Inductance:

PIN1-3: 0.8uH Max @100KHz 50mV PIN12-10 Shorted

PIN4-6: 0.80uH Max @100KHz 50mV PIN9-7 Shorted

PRI DC Resistance: 1.00 Ohms Maximum

PRI DC Resistance: 1.00 Ohms Maximum

DOC. REV A/1

<b>XFMRS Inc</b>	Title: TRANSFORMERS			
	UNLESS OTHERWISE SPECIFIED TOLERANCES: .xxx ±0.010 Dimensions in Inch	P/N: XF0013W6		REV. A
		DWN.	李小锋	Apr-07-02
	CHK.	廖玉坤	Apr-07-02	
SHEET 1 OF 1	APP.	Joe Huff	Apr-07-02	