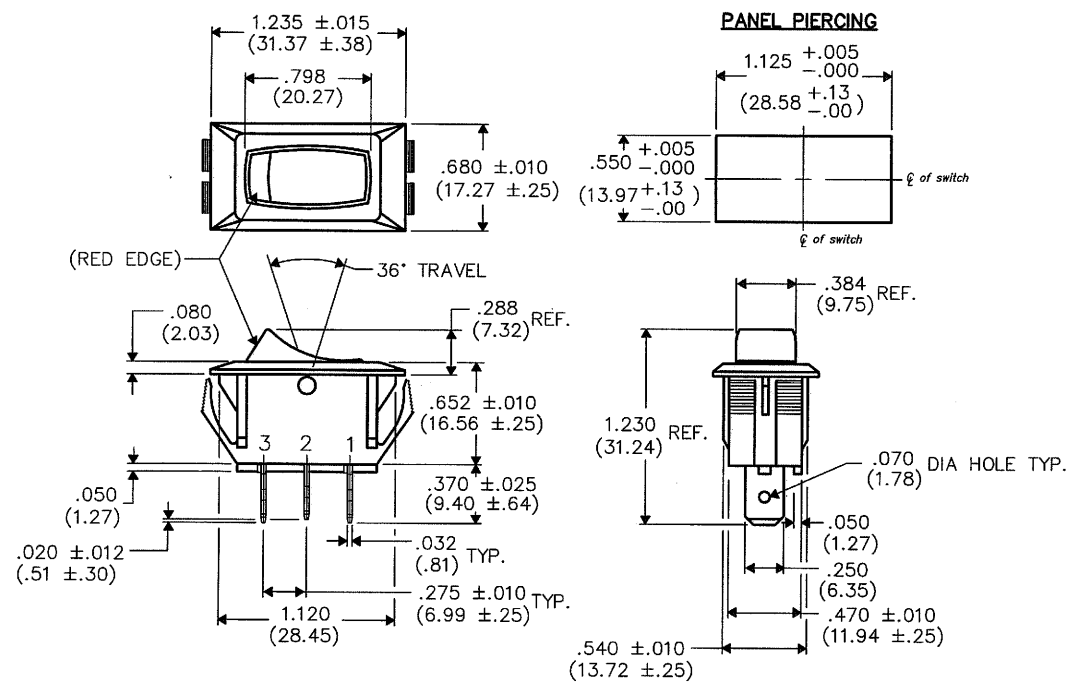


E
D
C
B
A



1 2 3 4 5 6 7 8 9 10

FORM-B4
REVISIONS
 0
 RELEASED: 8-13-2008
 DWG: AUG 13 2008

PDF FILE MADE	CW INDUSTRIES Southampton, Pa. 18966		Title: ASSEMBLY DRAWING	
	TOLERANCES UNLESS OTHERWISE SPECIFIED		S.P.D.T. ROCKER SWITCH	
	2 Place Decimal ±.010	METRIC	NON-POLARIZED, W/RATINGS	
	3 Place Decimal ±.005	1 Place Dec. ±.25mm	1.125" x .550"	
Angles ±1'		2 Place Dec. ±.13mm	Division: SWITCH	
Made for: CW IND.			Dwg. No. NBA-111-BI31-00	
Drawn by: DGW 8-13-2008				
Checked by: G. Guld 8-14-08				
Approval: G. Guld 8-14-08				

MASTER