

RESISTORS

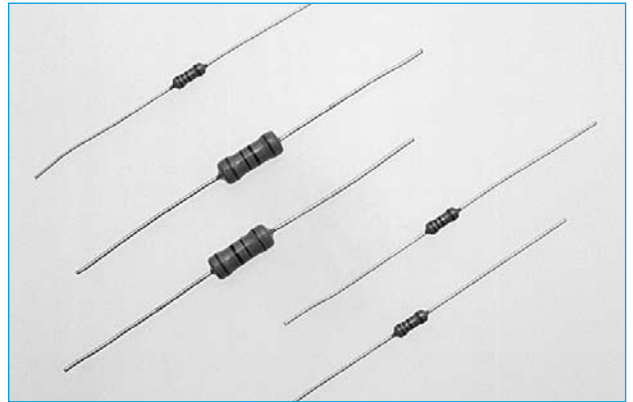
- 0.6W in 0.25W size
- 1%, E-96 values

The DMR range is available in power ratings from 1/6W to 2W. The DMR25 offers a nominal 0.6W power rating in a standard 1/4W size. Resistors are manufactured to JIS-5202

specifications and tested following MIL-R-22684, giving repeatable performance between batches.

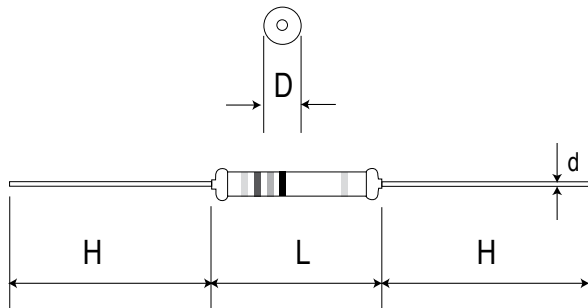
All product is coloured light blue with an easily readable 5-colour code.

PRECISION METAL FILM DMR



Operating Temperature: -55°C to 155°C

OUTLINE DRAWING



TYPE	L	øD	H	ød
DMR12	3.3±0.4	1.8±0.3	28±2.0	0.5±0.05
DMR25	6.3±0.5	2.3±0.3	28±2.0	0.6±0.05
DMR100	11.5±1.0	4.5±0.5	35±2.0	0.8±0.05
DMR200	15.5±1.0	5.0±0.5	33±2.0	0.8±0.05

SECTION 4

RANGE

Type	Power/W	Range, E24 & E96	Temperature Coefficient Max.	Working Voltage (70°C) Max.	Overload Voltage (70°C)
DMR12	0.166	10Ω-1MΩ	50ppm	200	400
DMR25	0.6	10Ω-1MΩ	50ppm	300	600
DMR100	1	10Ω-1MΩ	100ppm	500	1000
DMR200	2	10Ω-1MΩ	100ppm	500	1000

ORDERING INFORMATION

DMR	25	1	T	75R	*
	Type	Tolerance	Taping	Value	
	12 = 0.166W	1% = 1	BD = Tape and reel	in ohms	
	25 = 0.6W	0.5% = 05	T = Tape and ammo		
	100 = 1W	0.1% = 01			
	200 = 2W				

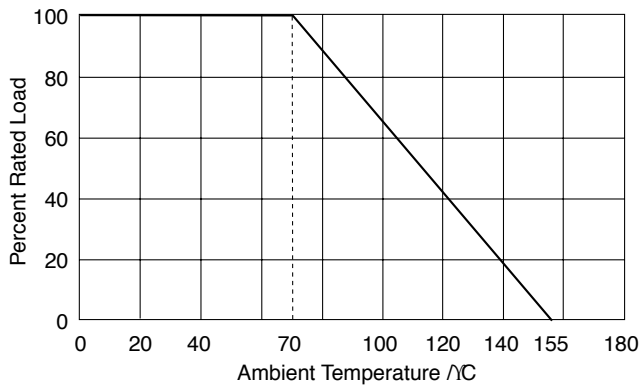
* Parts also available with 26mm width taping - add PT26 to end of part number. High precision tolerance available to special order with extremely low ppm temperature coefficient e.g. 0.1% 15ppm Taping specification available on page 134.

SPECIFICATION

PERFORMANCE TEST	TEST METHOD	APPRAISE
Short Time Overload	JIS-C-5202 5.5 2.5 Times RCWV for 5 seconds	$\pm (0.25\%+0.05\Omega)$
Dielectric Withstanding Voltage	JIS-C-5202 5.7 in V-Block for 60 seconds	by Type
Temperature Coefficient of Resistance	JIS-C-5202 5.2 -55°C to 155°C	by Type
Insulation Resistance	JIS-C-5202 5.6 in V-Block	$>10000\text{M}\Omega$
Solderability	JIS-C-5202 6.5 260°C for ± 5 Seconds	95% Min. Coverage
Resistance to Solvent	JIS-C-5202 6.9 Trichloroethane for 1 Min. with Ultrasonic	No Deterioration of coatings & markings
Terminal Strength	Direct Load for 10 Sec. in The Direction of Terminal Leads	$\geq 2.5\text{kg}$ (24.5N)
Pulse Overload	JIS-C-5202 5.8 4 Times RCWV 10000 Cycles (1 Sec. on, 25 Sec. off)	$\pm(2\%+0.05\Omega)$
Load Life in Humidity	JIS-C-5202 7.9 $40\pm 2^{\circ}\text{C}$, 90~95% RH at RCWV for 1000 hrs. (1.5 Hrs. on, 0.5 Hrs. off)	$\pm(1.5\%+0.05\Omega)$
Load Life	JIS-C-5202 7.10 70°C at RCWV for 1000 Hrs. (1.5 Hrs. on, 0.5 Hrs off)	$\pm(1.5\%+0.05\Omega)$
Temperature Cycling	JIS-C-5202 7.4 -55°C Room Temp. 155°C Room Temp. for 5 Cycles	$\pm(0.25\%+0.05\Omega)$
Resistance to Soldering Heat	JIS-C-5202 6.4 $350^{\circ}\text{C} \pm 10^{\circ}\text{C}$ for 3 ± 0.5 seconds	$\pm(0.25\%+0.05\Omega)$

*Rated Continuous Working Voltage (RCWV) = $\sqrt{\text{Power Rating} \times \text{Resistance Value}}$

POWER DE-RATING



CURRENT NOISE

