

AC COOLING FAN

80x80x25mm

- Voltage: 115 & 230 VAC
- Bearing options: Ball, Sleeve or Oil Bearing
- Material on housing: Aluminium Alloy Housing
- Airflow range: 14.6 CFM
- Suitable for PSU, Racks and Test Instruments



SPECIFICATION

Part No.	Bearing	Voltage/Freq(V/Hz)	Current(A)	Power (W)	Speed(RPM)	Air flow(CFM)	Pressure(mmAq)	Noise(dB/A)	Weight(g)
DBF8025x115M	Ball, Sleeve, Oil	115/50	0.15	17.30	1900	14.6	1.50	18.3	191
DBF8025x230M	Ball, Sleeve, Oil	230/50	0.07	16.10	1850	14.6	1.50	18.3	191

Impeller: Plastic (UL;94V-0)

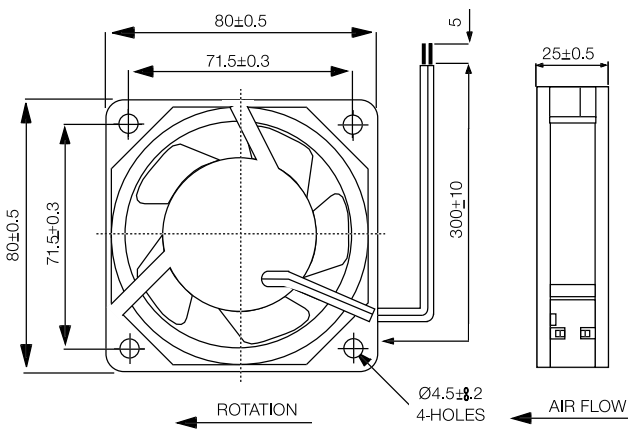
Lead Wire: UL1430 AWG22

Protection: Current Limit

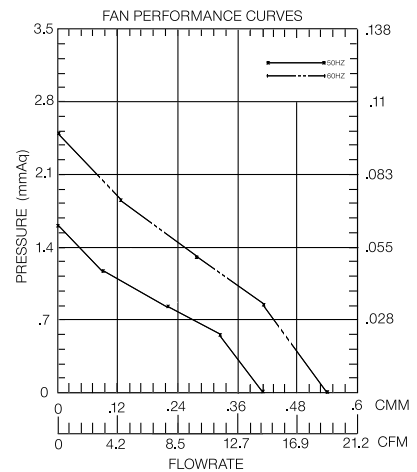
Operating Temp: -10° to 70° C

SECTION 12

EXTERNAL DIMENSIONS



PERFORMANCE CURVE



ORDERING INFORMATION

DBF	8025	B	115	M	T
Dubilier Fans	Size 80x80x25mm	Bearing B=Ball S=Sleeve G=Oil	Voltage 115=115vac 230=230vac	Airflow M=Medium	Lead Type T=Terminal W=Wires