

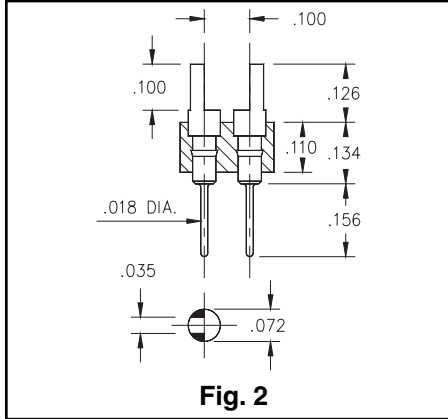
- Series 450, 460, 470 & 480 double row Header strips come with various styles (pin, slotted head, turret and solder cup) with pluggable solder tails.

450...001 uses pin #0290  
460...001 uses pin #0282  
470...001 uses pin #0700  
480...001 uses pin #8000  
See pages 182 & 183 for details.

- Insulators are high temp. thermoplastic.



### Ordering Information



**Fig. 1**

**Series 450...001 Pin / Solder Tail**

450-XX-2\_\_-00-001000

Specify # of pins → 02-64

**Fig. 2**

**Series 460...001 Slotted Head / Solder Tail**

460-10-2\_\_-00-001000

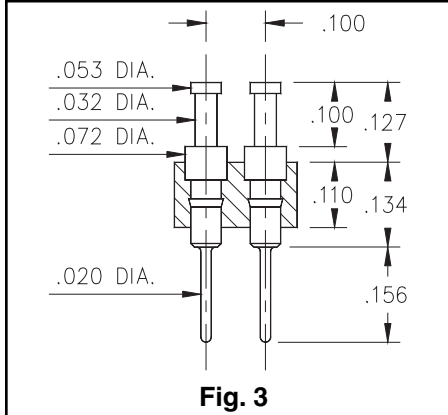
Specify # of pins → 02-64

**Fig. 3**

**Series 470...001 Turret / Solder Tail**

470-XX-2\_\_-00-001000

Specify # of pins → 02-64

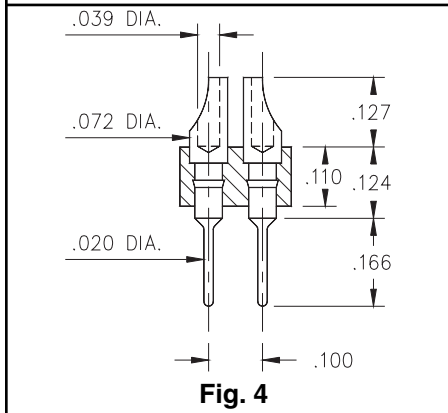


**Fig. 4**

**Series 480...001 Solder Cup / Solder Tail**

480-10-2\_\_-00-001000

Specify # of pins → 02-64



For Electrical, Mechanical & Environmental Data, See pg. 4

XX=Plating Code See Below

For RoHS compliance select ◇ plating code.

SPECIFY PLATING CODE XX=	10◇	90	40◇	
Pin Plating	10μ" Au	200μ" Sn/Pb	200μ" Sn	