

EPE6174S



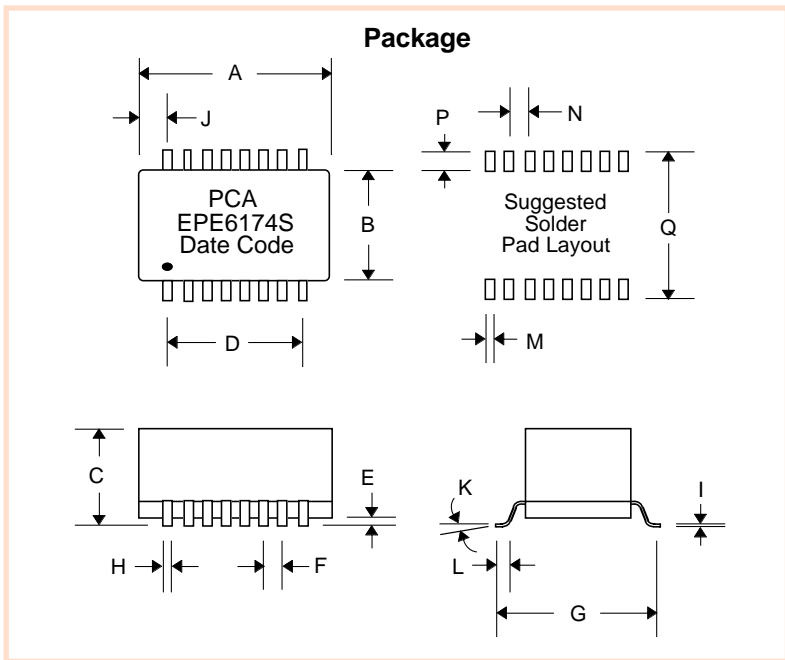
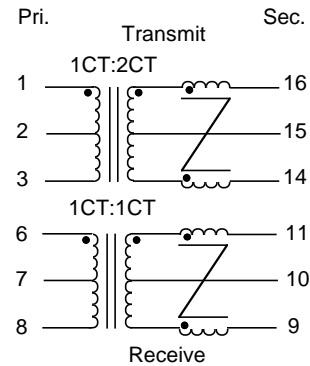
- Robust design allows for toughest soldering processes •
- Provided with superior common mode attenuation •
- Complies with or exceeds IEEE Requirements •

Electrical Parameters @ 25° C

Primary Inductance (μH Min.)(1)		Interwinding Capacitance (pF Max.)(1)	Leakage Inductance (μH Max.)(1)	CMRR (dB Min.)								Return Loss (dB Min.)	Hipot (Vrms)	Primary DCR (Ω Max.)	
@ 100 KHz, 0.1 Vrms		@ 100 KHz, 0.1 Vrms	@ 100 KHz, 0.1 Vrms	10 MHz		50 MHz		100 MHz		200 MHz		5MHz-10MHz			
Xmit	Rcv			Xmit	Rcv	Xmit	Rcv	Xmit	Rcv	Xmit	Rcv			Xmit	Rcv
50	200	12	0.3	-50	-50	-35	-35	-30	-30	-20	-20	-15	1500	0.35	0.50

Note : 1. @ 1 MHz, 0.1 Vrms

Schematic



Dimensions

Dim.	(Inches)			(millimeters)		
	Min.	Max.	Nom.	Min.	Max.	Nom.
A	.480	.500		12.19	12.70	
B	.260	.280		6.60	7.11	
C	.180	.200		4.57	5.08	
D	.350	Typ.		8.89	Typ.	
E	.005	.015		.127	.381	
F	.050	Typ.		1.27	Typ.	
G	.370	.390		9.40	9.91	
H	.016	.022		.406	.559	
I	.010	Typ.		.254	Typ.	
(J)	.070	Typ.		1.78	Typ.	
K	0°	8°		0°	8°	
L	.035	.055		.890	1.40	
M			.030			.762
N			.050			1.27
P			.055			1.40
Q			.410			10.41