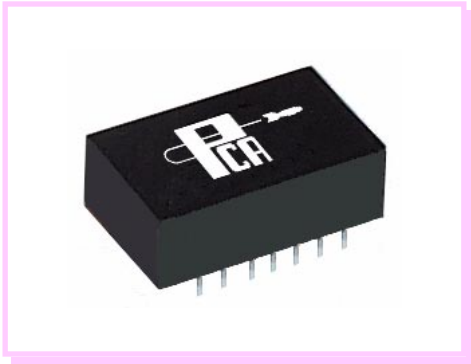


Home Phone Networking Analog Magnetics Module with 10/100 Base-T

EPB5034



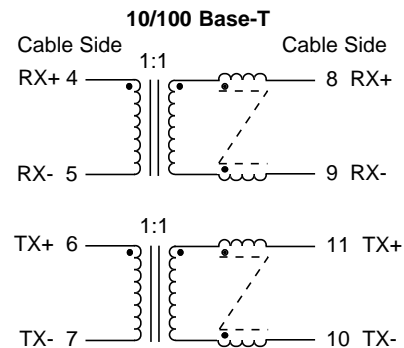
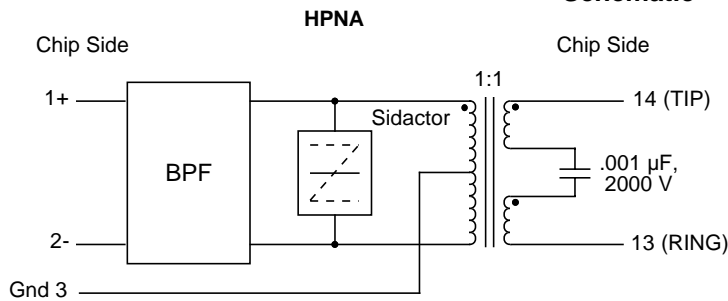
- Optimized for AMD79C978, Conexant CN7221 & National DP83851 Chips
- UL/IEC 950 Approved File #132261
- Supports TUT Systems HPN Architecture
- Meets or exceeds IEEE 802.3 Requirements
- Temperature Range -40°C to +85°C

Electrical Parameters @ 25° C

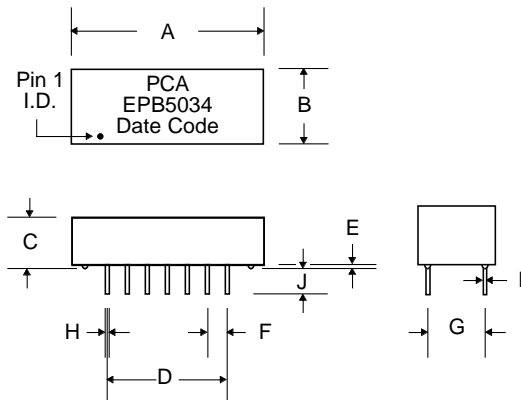
Cut-off Frequency		Insertion Loss (dB Max.)	Return Loss (dB Min.)	Attenuation (dB Min.)	
Lower Band MHz	Upper Band MHz	6.0-9.0 MHz	6.0-9.0 MHz	@ 1 MHz	@ 27 MHz
4.0-5.8	9-11	-3	-12	-60	-55

• Filter Characteristic Impedance : 100 Ω • Isolation : 1500 Vrms •

Schematic



Package



Dimensions

Dim.	(Inches)			(Millimeters)		
	Min.	Max.	Nom.	Min.	Max.	Nom.
A	1.040	1.060	1.050	26.42	26.92	26.67
B	.540	.560	.550	13.72	14.22	13.97
C	.320	.350	.335	8.13	8.89	8.51
D	---	---	.600	---	---	15.24
E	.020	.030	.025	.508	.762	.635
F	---	---	.100	---	---	2.54
G	.390	.410	.400	9.90	10.41	10.16
H	.016	.020	.018	.406	.508	.457
I	.016	.020	.018	.406	.508	.457
J	.120	.150	.135	3.05	3.81	3.43