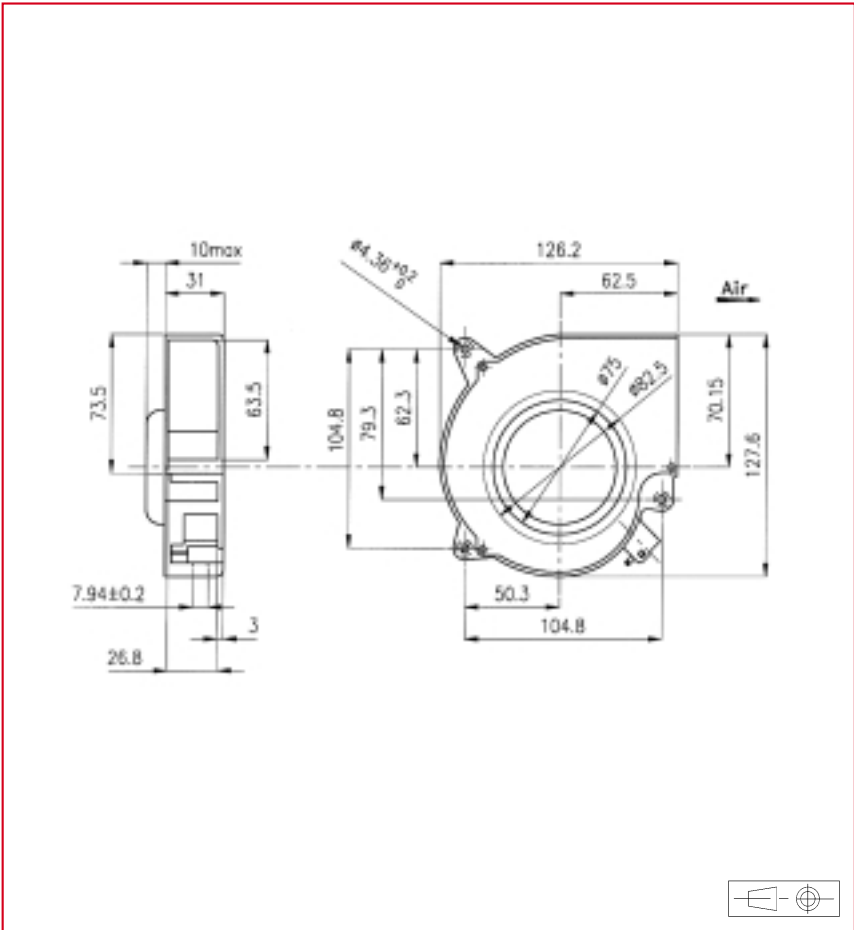
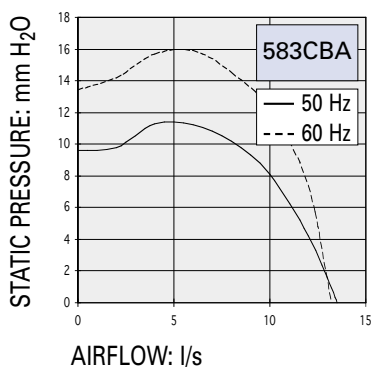


### Approvals

GAM T1 LISTED

### Life expectancy

L-10 LIFE AT 40°C:  
25 000 hours



**AC Motor**  
 Housing material: zamak  
 Impeller material: plastic UL 94 VO  
 Weight: 0,8 kg  
 Bearing system: sleeve bearing

Connection: terminals

**Available with:**  
 - flying leads connection

Part number	Nominal voltage	Airflow	Noise level	Nominal speed	Frequency	Phases	Capacitor	Input power	Nominal current	Starting current	Operating temperature	
	V										l/s	dB(A)
583CBA2092000	115	13,5	49	2550	50	1		21	270	400	- 10	55
		13,2	51	2500	60	1		20	250	350	- 10	55
583CBA2091000	220	13,5	49	2550	50	1		21	140	210	- 10	55
		13,2	51	2500	60	1		20	130	185	- 10	55

### Additional versions:

Ball bearings - salt spray protected - shock and vibration protected