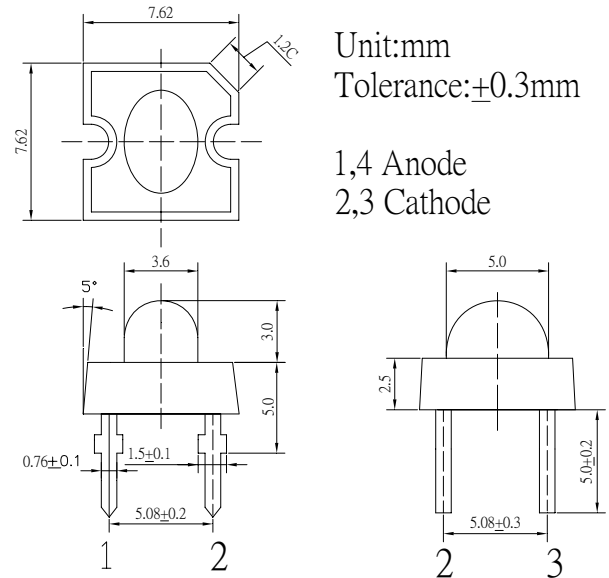


**■Features**

- High Luminous Super Flux Output
- 3.6x5.0mm Oval Standard Directivity
- Long Lifetime Operation
- Low Thermal Resistance
- Superior Weather-Resistance
- UV Resistant Epoxy
- Water Clear Type

**■Applications**

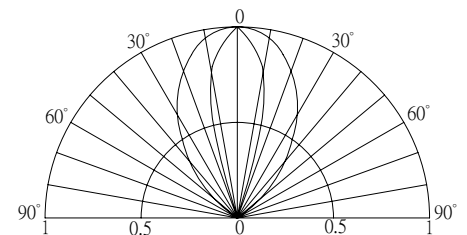
- Interior and exterior automotive lighting (e.g. dashboard backlighting etc.)
- Backlighting (Illuminated advertising, general lighting, etc)
- Decorative Lighting
- Other Lighting

**■Outline Dimension**

**■Absolute Maximum Rating**

(Ta=25°C)

| Item                       | Symbol          | Value         | Unit |
|----------------------------|-----------------|---------------|------|
| DC Forward Current         | I <sub>F</sub>  | 50            | mA   |
| Pulse Forward Current*     | I <sub>FP</sub> | 100           | mA   |
| Reverse Voltage            | V <sub>R</sub>  | 5             | V    |
| Power Dissipation          | P <sub>D</sub>  | 180           | mW   |
| Operating Temperature      | Topr            | -30 ~ +85     | °C   |
| Storage Temperature        | Tstg            | -40 ~ +100    | °C   |
| Lead Soldering Temperature | Tsol            | 260 °C / 5sec | -    |

\*Pulse width Max.10ms , Duty ratio max 1/10

**■Directivity**

**■Electrical -Optical Characteristics**

(Ta=25°C)

| Item                      | Symbol            | Condition            | Min. | Typ.  | Max. | Unit |
|---------------------------|-------------------|----------------------|------|-------|------|------|
| DC Forward Voltage        | V <sub>F</sub>    | I <sub>F</sub> =30mA | 2.9  | 3.1   | 3.6  | V    |
| DC Reverse Current        | I <sub>R</sub>    | V <sub>R</sub> =5V   | -    | -     | 10   | μA   |
| Luminous Intensity*       | I <sub>v</sub>    | I <sub>F</sub> =30mA | 8400 | 10000 | -    | mcd  |
| Chromaticity Coordinates* | x                 | I <sub>F</sub> =30mA | -    | 0.27  | -    |      |
|                           | y                 | I <sub>F</sub> =30mA | -    | 0.28  | -    |      |
| 50% Power Angle           | 2θ <sub>1/2</sub> | I <sub>F</sub> =30mA | -    | 30/70 | -    | deg  |

\*1 Tolerance of chromaticity coordinate is ±10%

\*2 Tolerance of luminous intensity is ±15%