



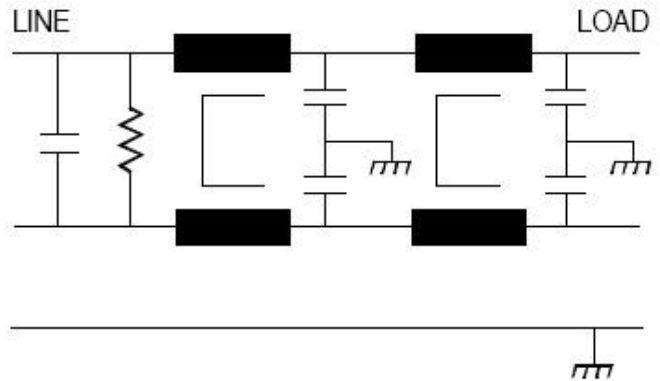
1151 SERIES

The 1151 filter is a very compact, single phase, high current device with very good common mode and differential mode insertion loss. It is very useful in power control systems operating in very noisy environments. The filter is also useful in any systems using switched mode power supplies. For the system with a space problem this filter has the maximum insertion loss provided in a very small package.

Ordering Information

- 20 AMPS - KK-1151-20
- 30 AMPS - KK-1151-30
- 36 AMPS - KK-1151-36

Operating voltage = 115/250 Vac
 Operating current = 20, 30, 36 Amp
 Operating frequency = 50/60Hz
 Operating temperature = -20o to 50o C
 Diel. withstanding (line - case) = 1500 Vac
 Diel. withstanding (line - line) = 1500 Vdc
 Leakage current = 1.5 ma at 250 Vac, 60 Hz
 Max residual voltage after 1 sec. = 30 Volts
 Agency approvals (-20) & (-30) = UL,CSA



INSERTION LOSS KK-1151 SERIES

