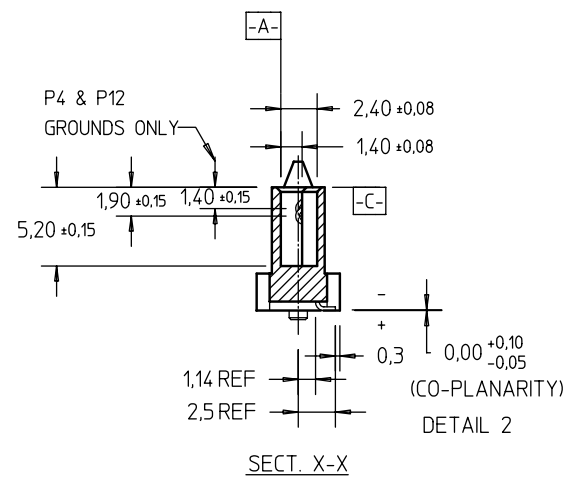
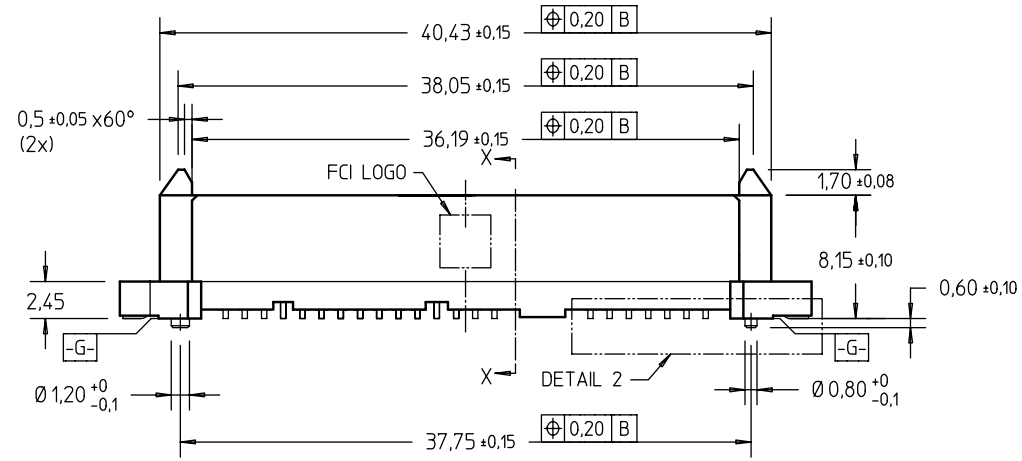
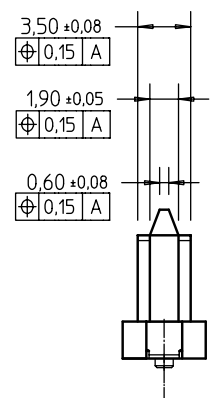
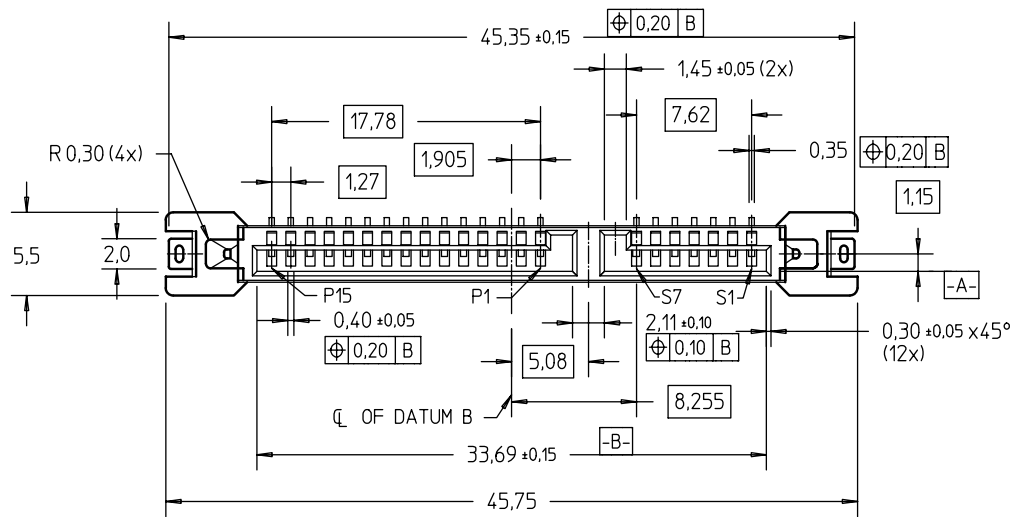


FCI CONFIDENTIAL



This document is the property of and embodies CONFIDENTIAL and PROPRIETARY information of FCI. No part of the information shown on this document may be used in any way or disclosed to others without the written consent of FCI. Copyright FCI.

PRODUCT NO
SEE TABLE



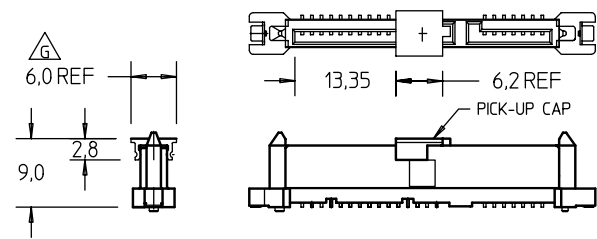
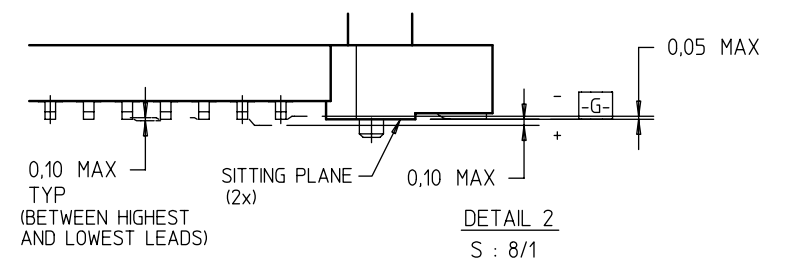
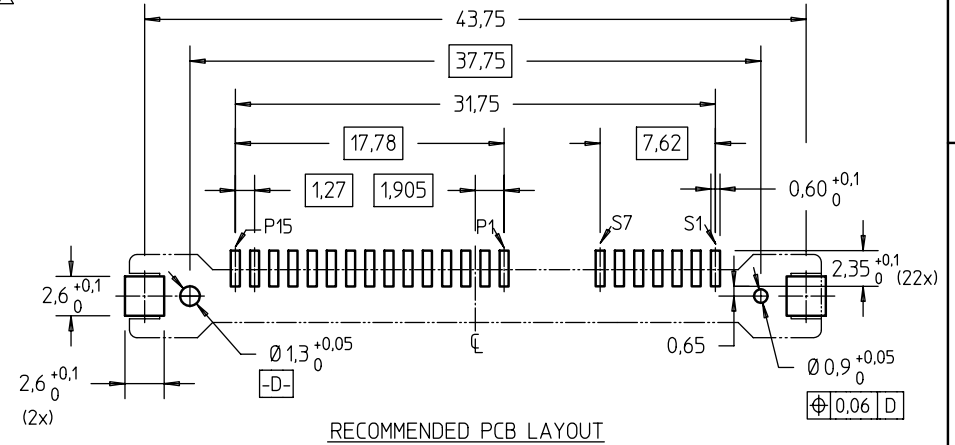
mat'l. code		surface ISO 1302		tolerance ISO 406 ISO 1101		projection ISO 1302		product family S-ATA	
ltr	ecn no	dr	date	tolerances unless otherwise specified		mm		title S-ATA COMB RECEP VERTICAL SMT TYPE ASSY	
A	S04-0027	GLL	2004-02-27	angles	linear	= ±0,20		sheet 1 of 2	
B	S04-0078	GLL	2004-04-28	± 2°		scale 2:1		size A4	
C	S05-0035	GLL	2005-02-07	dr	GL L00	2004-02-27		dwg no 10029065	
D	S05-0359	GLL	2005-12-07	enrg	GL L00	2004-02-27		sheet 1 of 2	
E	S06-0188	GLL	2006-05-30	chr	GL L00	2009-09-04		type CUSTOMER Drawing	
F	S09-0141	GLL	2009-05-04	appd	JOEY NG	2009-09-04		Drawing	
G	S09-0276	GLL	2009-09-04						
sheet	revision	G	G						
index	sheet	1	2						

PRODUCT NO	PLATING	PICK-UP CAP	PACKAGING	REMARKS	PRODUCT NO	PLATING
10029065-001LF	NOTE 3	NO	TRAY	-	10029065-401LF	NOTE 11
10029065-001CLF		YES		SEE NOTE ④	10029065-401CLF	
10029065-001C-TRLF		YES	TAPE & REEL	SEE NOTE ⑨	10029065-401C-TRLF	

NOTE 11

NOTES:

- 1 THIS PRODUCT MEETS THE SATA SPEC REV. 1.0a
- 2 MATERIAL:
 - 1) HOUSING : HIGH TEMP TERMOPLASTIC, UL 94V-0
COLOR : BLACK
 - 2) TERMINAL : COPPER ALLOY
 - 3) HOLD DOWN : COPPER ALLOY
- ③ FINISH :
 - 1) TERMINAL : 30u" Au PLATING (CONTACT POINT) OVER 50u" NICKEL
 - 2) SOLDER TAIL : 50u" min Sn OVER 50u" NICKEL
 - 3) HOLD DOWN : 50u" min Sn OVER 50u" NICKEL
- ④ PART WITH PICK-UP CAP, P/N XXXXXXXX-XXX_C LF
- ⑤ THE STD PACKAGING IS IN TRAY UNLESS OTHERWISE SPECIFIED.
- 6 THE HOUSING WILL WITHSTAND EXPOSURE TO 260°C PEAK TEMPERATURE FOR 10 SECONDS IN A CONVECTION, INFRA-RED OR VAPOR PHASE REFLOW OVEN.
- ⑦ THIS PRODUCT MEETS EUROPEAN UNION DIRECTIVES AND OTHER COUNTRY REGULATIONS AS DESCRIBED IN GS-22-008.
- ⑧ PART NUMBERS ENDING IN "LF" MEANS FOR NOTE 7 LEAD FREE IDENTIFICATION
 - (i) P/N XXXXXXXX-XXXLF IS EQUIVALENT TO PREVIOUS P/N XXXXXXXX-XXX
 - (ii) P/N XXXXXXXX-XXXCLF IS EQUIVALENT TO PREVIOUS P/N XXXXXXXX-XXXC
- ⑨ FOR TAPE & REEL PACKAGING, SUFFIX "-TR" ADDED.
P/N XXXXXXXX-XXXC-TR LF
- ⑩ A SYMBOL WILL BE NEXT TO ANY DIMENSION, VIEW, OR NOTE WHICH HAS BEEN MODIFIED WITH THE CURRENT DRAWING REVISION.
- ⑪ FINISH:
 - 1) TERMINAL : 15u" GXT PLATING (CONTACT POINT) OVER 50u" NICKEL
 - 2) SOLDER TAIL : 50u" min Sn OVER 50u" NICKEL
 - 3) HOLD DOWN : 50u" min Sn OVER 50u" NICKEL



mat'l. code		surface	tolerance	projection	product family
ltr		ISO 1302	ISO 406 ISO 1101		S-ATA
ecn no		tolerances unless otherwise specified		mm	title
dr		angles	linear	mm	S-ATA COMB RECEP
date		± 2°	= +0.20	scale 2 : 1	VERTICAL SMT TYPE ASSY
		dr	GL L00	2004-02-27	dwg no
		enrg	GL L00	2004-02-27	sheet 2 of 2
		chr	GL L00	2009-09-04	size
		appd	JOEY NG	2009-09-04	A4
sheet index		revision sheet		type	
1		1		CUSTOMER Drawing	