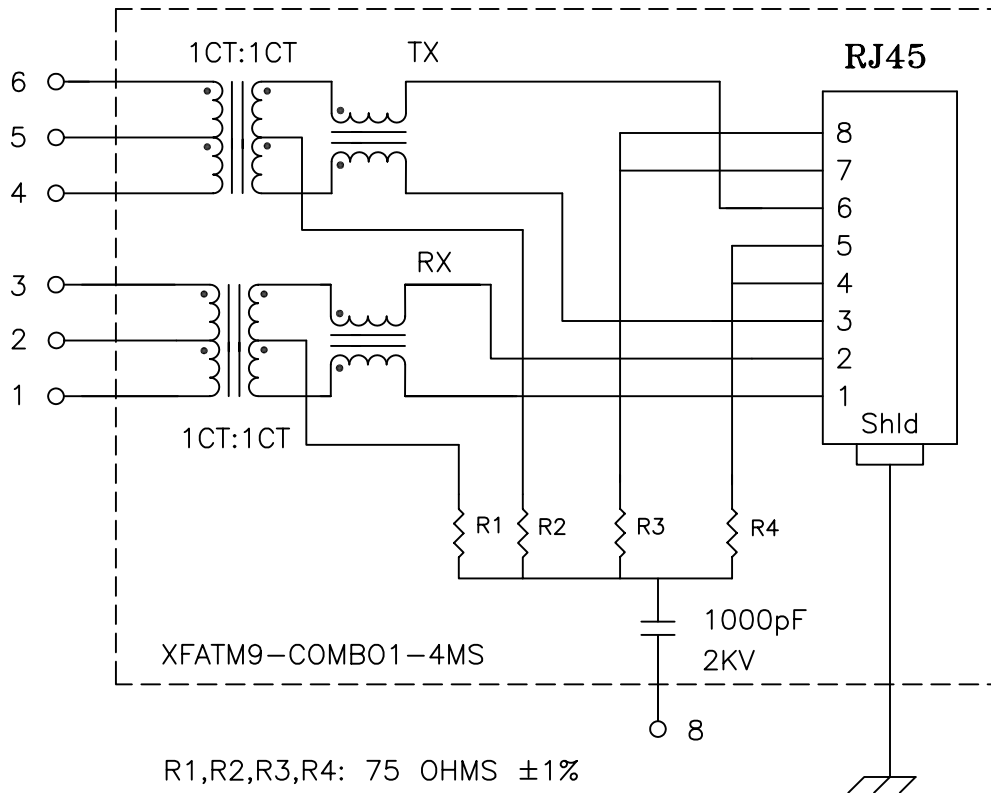


Schematic:



Electrical Specifications: @25°C

Isolation Voltage: 1500 Vrms (Input to Output)

Isolation Voltage: 500 Vrms (P1+2+3 to P4+5+6)

Turns Ratio: TX 1CT:1CT \pm 3% RX 1CT:1CT \pm 3%

CABLE SIDE OCL: 350uH Minimum @100KHz 100mV 8mADC

Cw/w: 27pF Typical @100KHz 100mV

Insertion Loss (300KHz-100MHz): -1.0dB Max

Return Loss: @30MHz -18dB Minimum

@80MHz -12dB Minimum

Notes:

1. Solderability: Leads shall meet MIL-STD-202, Method 208D for solderability.
2. Flammability: UL94V-0
3. ASTM oxygen index: > 28%
4. Insulation System: Class F 155°C. UL file E151556
5. Operating Temperature Range: All listed parameters are to be within tolerance from -40°C to +85°C
6. Storage Temperature Range: -55°C to +125°C
7. Aqueous wash compatible
8. SMD Lead Coplanarity: \pm 0.004"(0.102mm)
9. Moisture Sensitivity: Level 3
10. Electrical and mechanical specifications 100% tested
11. RoHS Compliant Component

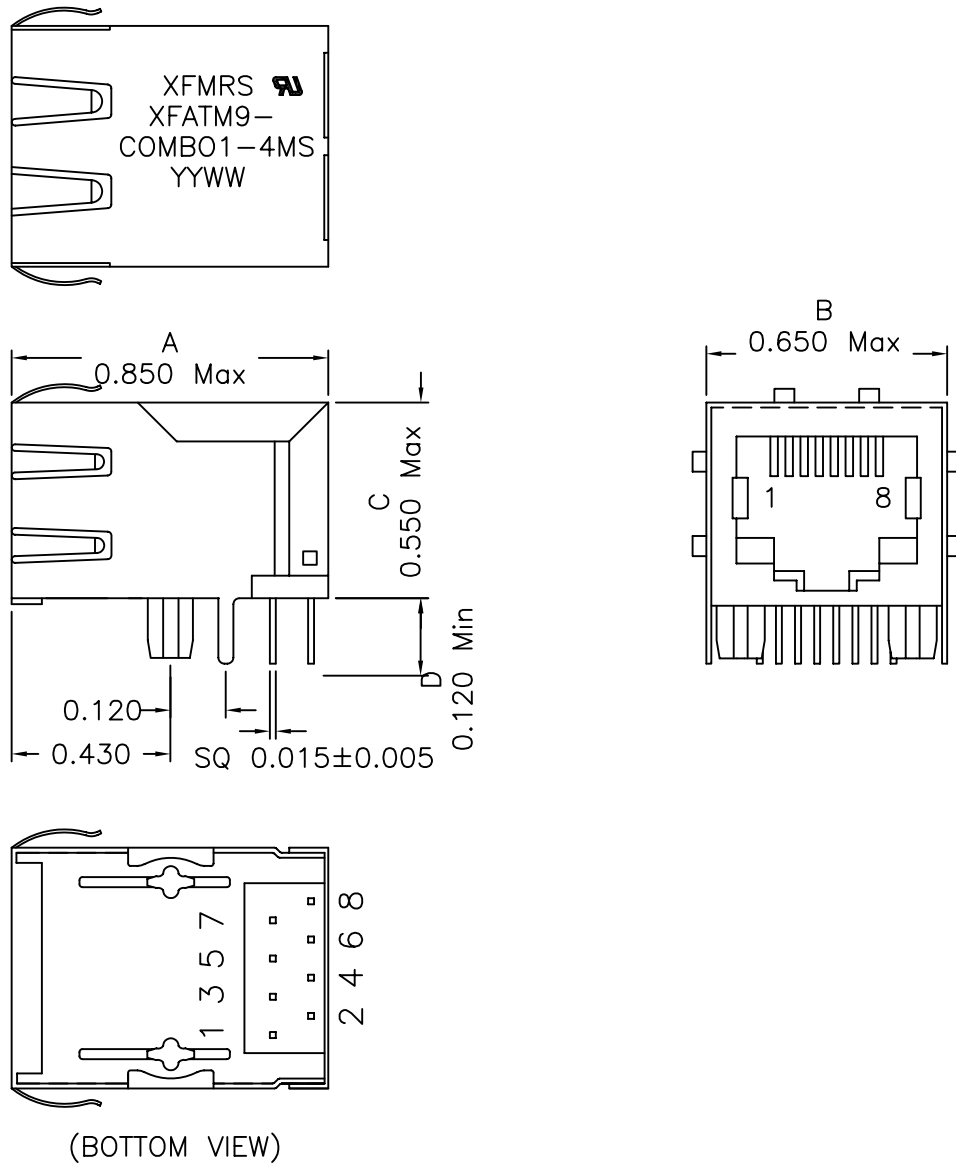
DOC REV: D/8

XFMRs Inc.		Title:	
		SINGLE PORT COMBO	
UNLESS OTHERWISE SPECIFIED		P/N: XFATM9-COMBO1-4MS	REV. D
TOLERANCES:		DWN.	罗振江
.xxx \pm 0.010		CHK.	廖玉坤
Dimensions in Inch		APP.	Isaiah M
SHEET 1 OF 2			Apr-20-05

PROPRIETARY:

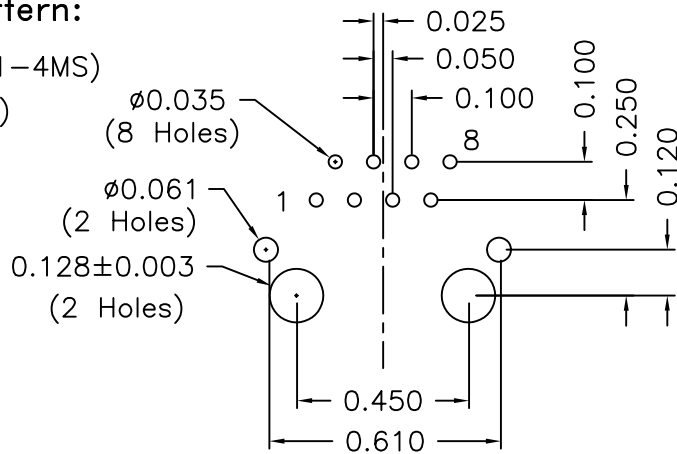
Document is the property of XFMRs Group & is not allowed to be duplicated without authorization.

Mechanical Dimensions:



Mounting Pattern:

(FOR COMBO1-4MS)
(COMP SIDE)



DOC REV: D/8

XFMRS Inc.

Title: Mechanical Dimensions
For COMBO1-4MS Series

UNLESS OTHERWISE SPECIFIED
TOLERANCES:
.xxx ±0.010
Dimensions in Inch

P/N: XFATM9-COMBO1-4MS REV. D

DWN.

罗振江

Apr-20-05

CHK.

廖玉坤

Apr-20-05

SHEET 2 OF 2

APP.

Isaiah M

Apr-20-05

PROPRIETARY:

Document is the property of XFMRS Group & is not allowed to be duplicated without authorization.