

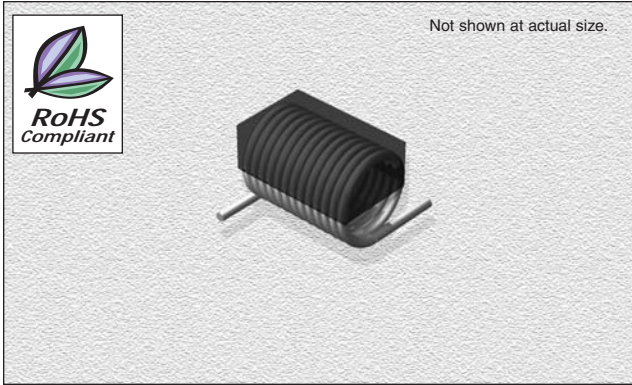
CT132SMF Series

From 90 nH to 538 nH

SPECIFICATIONS

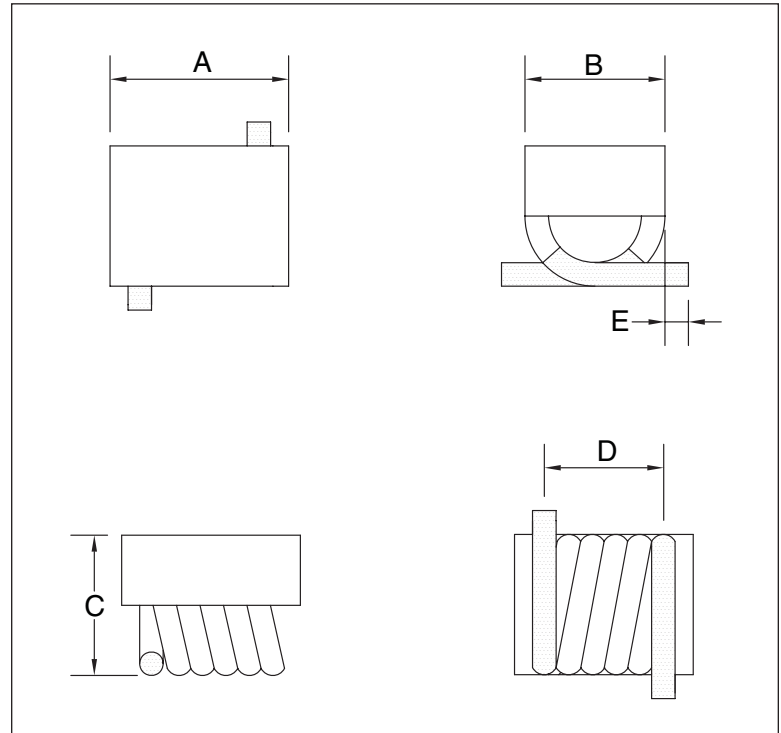
Parts are only available in $\pm 5\%$ inductance tolerance.

Part Number	Turns	Inductance (nH)	Q Min.	Test Freq. (MHz)	SRF Min. (GHz)	DCR Typ. (m Ω)	IDC Max. (A)
CT132SMF-09TJ	9	90	100	50	>1.0	8.20	3.5
CT132SMF-10TJ	10	111	100	50	>1.0	9.30	3.5
CT132SMF-11TJ	11	130	100	50	>0.9	10.5	3.4
CT132SMF-12TJ	12	169	100	50	>0.8	11.7	3.4
CT132SMF-13TJ	13	206	100	50	>0.7	10.1	3.8
CT132SMF-14TJ	14	222	100	50	>0.6	13.6	3.3
CT132SMF-15TJ	15	246	100	50	>0.6	16.6	3.2
CT132SMF-16TJ	16	307	100	50	>0.5	21.5	3.0
CT132SMF-17TJ	17	380	100	50	>0.5	24.5	2.8
CT132SMF-18TJ	18	422	100	50	>0.4	38.4	2.2
CT132SMF-19TJ	19	491	100	50	>0.4	39.4	2.1
CT132SMF-20TJ	20	538	100	50	>0.4	41.6	2.0



PHYSICAL DIMENSIONS

Size	A Max.	B	C	D	E
mm	9.0	4.4 \pm 0.3	4.6 \pm 0.4	8.0 \pm 0.5	1.3 \pm 0.4
inches	0.354	0.173 \pm 0.012	0.181 \pm 0.016	0.315 \pm 0.020	0.051 \pm 0.016



CHARACTERISTICS

- Description:** SMD air core inductor
- Applications:** Pagers, Cordless phones, High frequency communication products, Intercom, CATV.
- Inductance Tolerance:** $\pm 5\%$
- Testing:** Inductance is tested on an HP4287A at 50MHz
- Operating Temperature:** -40°C to +85°C
- Packaging:** Tape & Reel
- Miscellaneous:** **RoHS Compliant.**
- Additional Information:** Additional electrical & physical information available upon request
- Samples available. See website for ordering information.**

09.05.06