



## FLEXSTRIP LIGHT

## BVM-SFS3 SERIES

### ■ DESCRIPTION

- Flexstrip light is made of white side view SMD LEDs mounted on flexible printed circuit (FPC).
- The product is driven under constant current, which will ensure a longer life.



### ■ FEATURES

- Number of SMD LEDs : 288 pcs of side view SMD LEDs
- Product size (LxWXH) : 2996.2mm x 5.5mm x 2.0mm
- Easy installation with the back adhesive-tape
- Products are packed into reel and can be cut at mark place into shorter units
- Shortest unit is 62.4mm with 6 LEDs; 48 shortest units per reel.
- Drive: 24VDC/18.5 mA
- Low power consumption and high optical intensity
- Lead (Pb) free, and RoHS compliant

### ■ APPLICATIONS

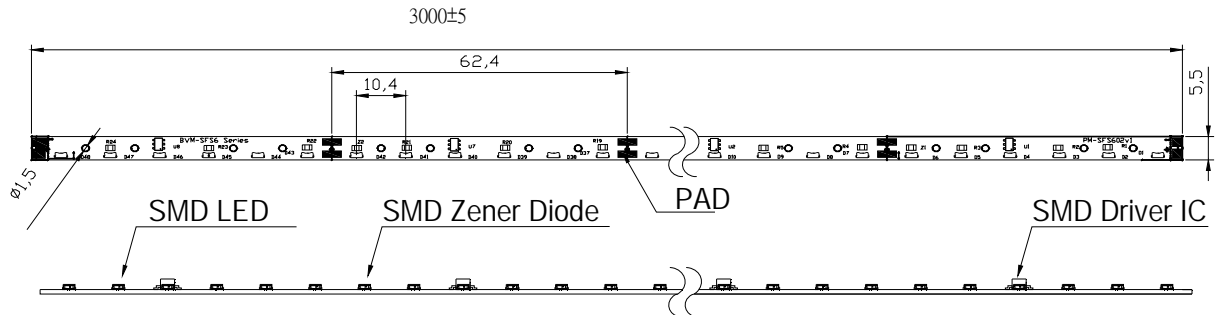
- Amusement park & theater mood lighting
- Architectural decorative lighting
- Backlighting for signage letters
- Auditorium walkway lighting
- Stairway accent lighting
- Hallway lighting



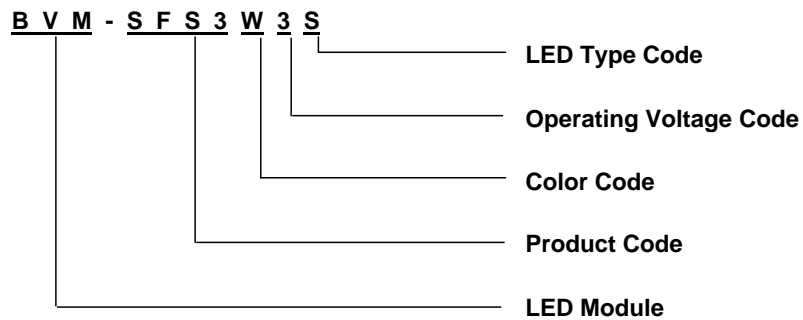
### ■ PRODUCT DIMENSIONS

Unit : mm

Tolerance :  $\pm 0.5$ mm



### ■ PART NUMBERING SYSTEM





### ■ ABSOLUTE MAXIMUM RATINGS AT Ta = 25 °C

PARAMETER	Maximum Ratings	Unit
Maximum Operating Voltage	25	V
Electrostatic Discharge (Contact Mode)	±2000	V
Power Dissipation / Unit	0.5	W
Power Dissipation / 48Units / Reel	24	W
Operating Temperature Range	-30 ~ +50	°C
Storage Temperature Range	-30 ~ +85	°C

### ■ TYPICAL ELECTRICAL / OPTICAL CHARACTERISTICS AT 24VDC Ta = 25 °C

Part No.	Color	View Angle	Current	Lum.Flux	Lum. Flux	Lum. Flux	Lum. Flux
		(degree)	per strip (A)	per Unit (lx)	per strip (lx)	per Unit (lm)	per strip (lm)
BVM-SFS3W3S	White	110	0.89	74	3567	22.2	1070

\* White products are provided with different color temperature bins. (see following paragraph)

- Note**
1. Luminous flux measurement tolerance : +/- 10%
  2. View angle of the LED is the off-axis angle from the optical center line to the 1/2 luminous intensity of the peak value.

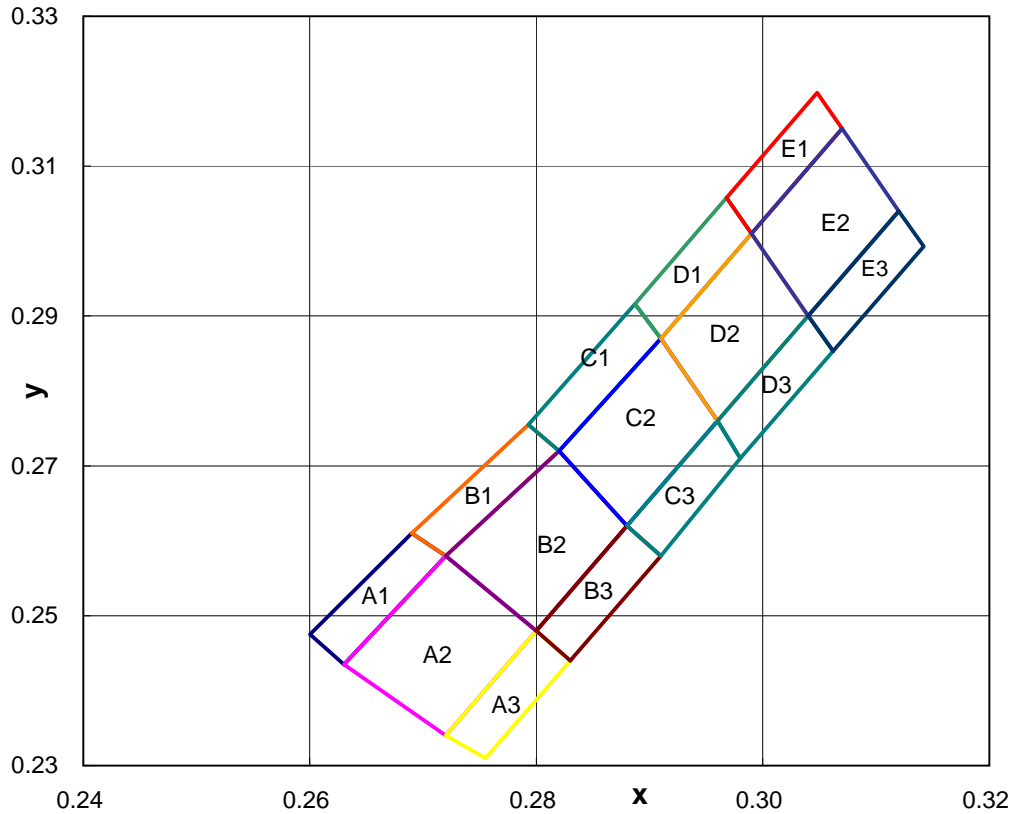
### ■ BIN GRADE LIMITS CHROMATICITY COORDINATES

Bin Code	Chromaticity Coordinates					
A1	x	0.263	0.260	0.269	0.272	0.263
	y	0.244	0.248	0.261	0.258	0.244
A2	x	0.272	0.263	0.272	0.280	0.272
	y	0.234	0.244	0.258	0.248	0.234
A3	x	0.276	0.272	0.280	0.283	0.276
	y	0.231	0.234	0.248	0.244	0.231
B1	x	0.269	0.279	0.282	0.272	0.269
	y	0.261	0.276	0.272	0.258	0.261
B2	x	0.280	0.272	0.282	0.288	0.280
	y	0.248	0.258	0.272	0.262	0.248
B3	x	0.283	0.280	0.288	0.291	0.283
	y	0.244	0.248	0.262	0.258	0.244
C1	x	0.282	0.279	0.289	0.291	0.282
	y	0.272	0.276	0.292	0.287	0.272
C2	x	0.288	0.282	0.291	0.296	0.288
	y	0.262	0.272	0.287	0.276	0.262

Bin Code	Chromaticity Coordinates					
C3	x	0.291	0.288	0.296	0.298	0.291
	y	0.258	0.262	0.276	0.271	0.258
D1	x	0.291	0.289	0.297	0.299	0.291
	y	0.287	0.292	0.306	0.301	0.287
D2	x	0.296	0.291	0.299	0.304	0.296
	y	0.276	0.287	0.301	0.290	0.276
D3	x	0.298	0.296	0.304	0.306	0.298
	y	0.271	0.276	0.290	0.285	0.271
E1	x	0.299	0.297	0.305	0.307	0.299
	y	0.301	0.306	0.320	0.315	0.301
E2	x	0.304	0.299	0.307	0.312	0.304
	y	0.290	0.301	0.315	0.304	0.290
E3	x	0.306	0.304	0.312	0.314	0.306
	y	0.285	0.290	0.304	0.299	0.285



■ CHROMATICITY DIAGRAM CIE 1931



\*The chromaticity coordinates (x,y) of the SMD LEDs are in accordance with CIE 1931 chromaticity diagram.

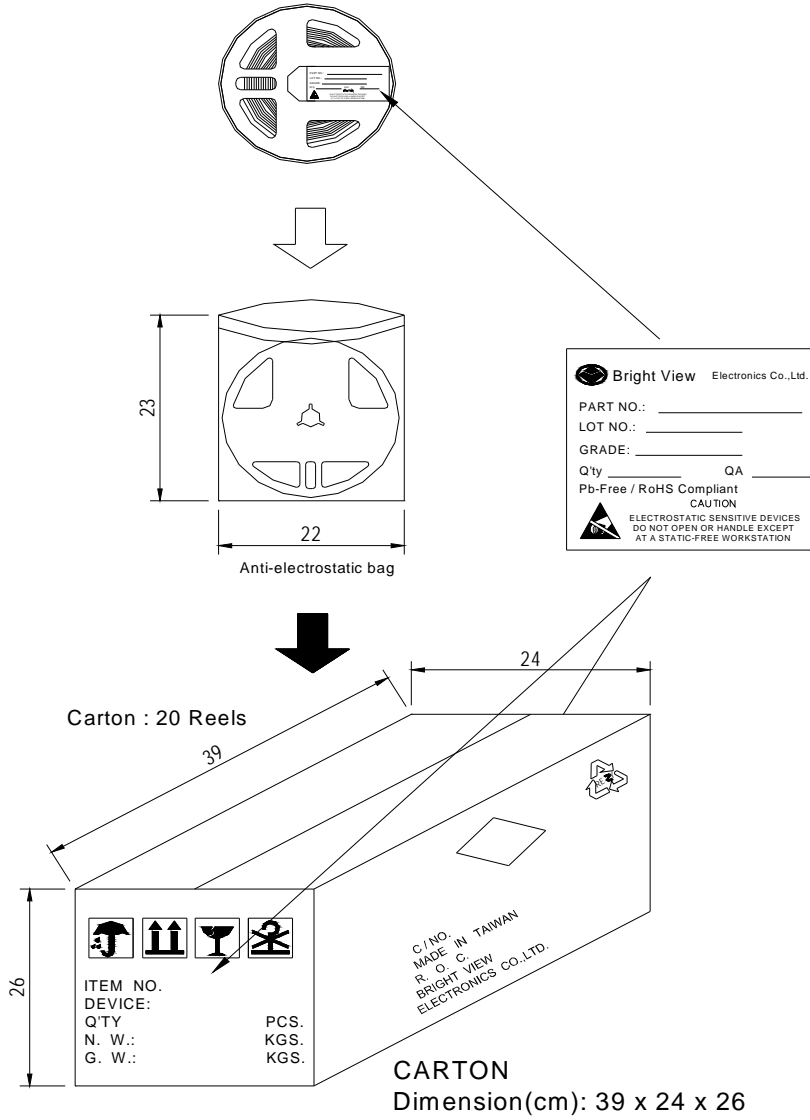
\*The color temperature values used are based on the traditional incandescence lighting standard which cannot be exact applicable to LED lighting. It must be used only for reference purpose.

\*Measurement uncertainty of color coordinates:  $\pm 0.02$

**Note:** Products of different CIE bins may not use the same materials and thus may have minor differences in characteristic and business terms



■ **PACKING**





### ■ CAUTIONS

#### 1. Over voltage

- A. Drive the product over the specified current/voltage rating per unit or per reel will damage the product.
- B. The product should not be used in reverse polarity.
- C. It is recommended to use a power supply with overload (over-voltage, short circuit and overheat) protection.

#### 2. Hand soldering

- A. It is recommended to use a tip temperature of 280°C for less than 3 seconds (one times) with a soldering iron capacity of 30W, if hand soldering of the connecting wire is required.
- B. Be careful of the contaminations of hand soldering.

#### 3. Storage & Handling

- A. Open the anti-electrostatic bag only a short time before use.
- B. LED is encapsulated with elastic resin and will be damaged with a external force applied on the top surface of the LED.
- C. The product should be storage in an environment with the relative humidity less than 90% RH (@30 degree C or less).
- D. During installation, excess mechanical stress will damage the product. The minimum bending radius of curvature is 5000mm. The maximum twist angle is 1 degree.
- E. The product is not waterproof. Excess moisture may also damage the product.