
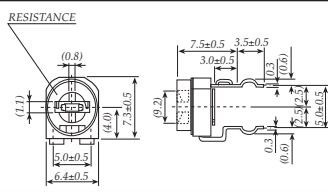

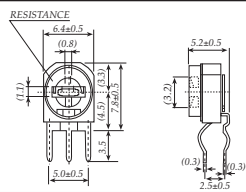
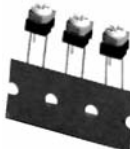
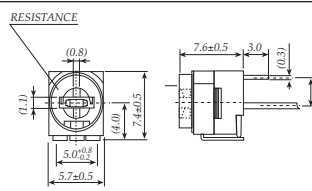
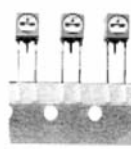
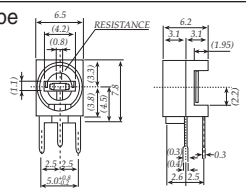
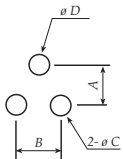


## features

- Products with lead-free terminations meet EU RoHS and China RoHS requirements

## dimensions and construction

SF6 Top Adjust Type Dimensions mm		SF6 Side Adjust Type Dimensions mm																										
<b>637A</b> Carbon Film, Standard 		<b>639A</b> Carbon Film, Standard 																										
<b>637T</b> Carbon Film, Radial Taping 		<b>639T</b> Carbon Film, Radial Taping Type 																										
<b>Printed Board Framework (Ref.) Dimensions mm</b>  <table border="1" data-bbox="1047 997 1485 1134"> <thead> <tr> <th>Type</th> <th>A</th> <th>B</th> <th>C</th> <th>D</th> </tr> </thead> <tbody> <tr> <td>637A</td> <td>5.0</td> <td>5.0</td> <td>1.2</td> <td>1.2</td> </tr> <tr> <td>637T</td> <td>3.0</td> <td>5.0</td> <td>1.0</td> <td>1.3</td> </tr> <tr> <td>639A</td> <td>2.5</td> <td>5.0</td> <td>1.0</td> <td>1.0</td> </tr> <tr> <td>639T</td> <td>2.5</td> <td>5.0</td> <td>1.0</td> <td>1.3</td> </tr> </tbody> </table>				Type	A	B	C	D	637A	5.0	5.0	1.2	1.2	637T	3.0	5.0	1.0	1.3	639A	2.5	5.0	1.0	1.0	639T	2.5	5.0	1.0	1.3
Type	A	B	C	D																								
637A	5.0	5.0	1.2	1.2																								
637T	3.0	5.0	1.0	1.3																								
639A	2.5	5.0	1.0	1.0																								
639T	2.5	5.0	1.0	1.3																								

## ordering information

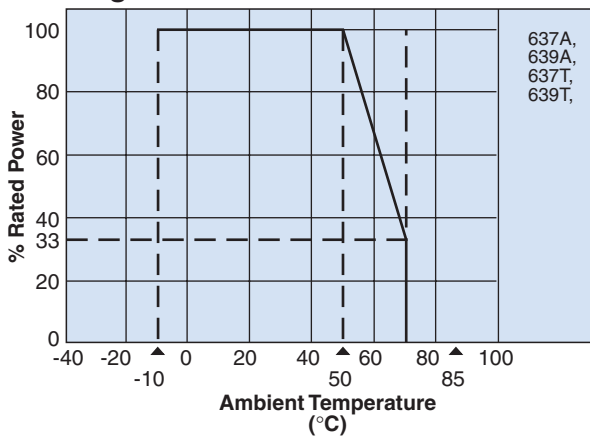
New Part #	<b>KVSF</b>	<b>637A</b>	<b>C</b>	<b>103</b>
	Product Code	Type	Termination Material	Nominal Resistance
		SF6: 637A, 639A, 637T, 639T	C: SnCu	2 significant figures + 1 multiplier

## applications and ratings

Part Designation	Power Rating @ 70°C	Resistance Range E-6 & 1,2,3,5x10 <sup>n</sup>	Resistance Tolerance	Maximum Working Voltage	Rated Ambient Temperature	Operating Temperature Range
637A, 639A, 637T, 639T	0.1W	200Ω - 1MΩ	±30%	50V	+50°C	-10°C to +70°C

## environmental applications

### Derating Curve



## Performance Characteristics

Parameter	Requirement $\Delta R$		Test Method
	Limit	Typical	
Resistance to Solder Heat	3	2	260°C ± 5°C, 5 seconds +1 second
Rapid Change of Temperature	5	4.5	-10°C / +25°C / +70°C (30 minutes), 5 cycles
Moisture Resistance	20	12	40°C ± 2°C, 90 - 95% RH, 350 hours, 1.5 hr ON, 0.5 hr OFF cycle
Endurance at 70°C	+5, -20	-12	70°C ± 2°C, 240 hours, 1.5 hr ON, 0.5 hr OFF cycle
High Temperature Exposure	+5, -20	-13	70°C ± 3°C, 240 hours
Rotational Life	15	11	20 turns