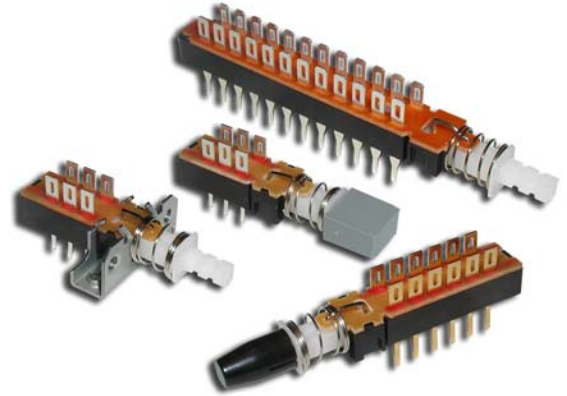


**SPECIFICATIONS**

Electrical Ratings	See Contract Options
Electrical Life	100,000 cycles typical
Contact Resistance	< 50 mΩ max initial @ 2-4VDC, 100mA
Dielectric Strength	2000Vrms min
Insulation Resistance	> 100MΩ min
Operating Force	2 Pole: 350 +/- 100gF, 200 +/- 100gF 4 Pole: 450 +/- 100gF, 400 +/- 100gF 6 Pole: 550 +/- 100gF, 450 +/- 100gF 8~16 Pole : 650 +/- 150gF
Operating Temperature	-40°C to 85°C
Storage Temperature	-40°C to 85°C



**MATERIALS ←RoHS COMPLIANT**

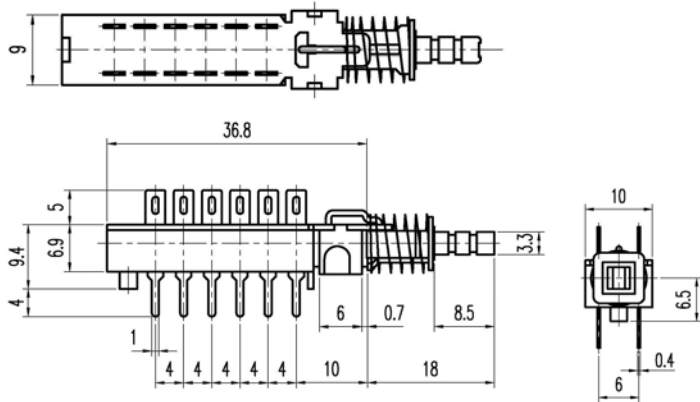
Actuator	POM
Housing	PC
Terminal Base	Phenolic
Contacts	Phosphor Bronze, Ag or Au+Ni plated
Terminals	Brass, Ag or Au+Ni plated
Chassis	Steel
Spring	Steel
Latching Pin	Steel

**ORDERING INFORMATION**

<b>Series:</b>	<b>DL</b>	<b>4</b>	<b>S</b>	<b>N</b>	<b>F</b>	<b>B</b>	<b>Q</b>	<b>C13</b>
DL								
<b>Number of Poles:</b>								
2 = DPDT								
4 = 4PDT								
6 = 6PDT								
8 = 8PDT								
10 = 10PDT								
16 = 16PDT								
<b>** stacking switch part numbers are:</b>								
DL2LAQ/4LAQ (Soft touch = DL2SLAQ/4SLAQ)								
DL2LAQ/6LAQ (Soft touch = DL2SLAQ/6SLAQ)								
<b>Actuation Force Options:</b>								
None = Standard Force								
S = Soft Touch								
<b>Switch Function:</b>								
N = Non-latching								
L = Latching								
<b>Terminal Options:</b>								
A, F, E, C, G								
<b>Mounting Options:</b>								
Blank = No Chassis (standard)								
B = Mounting Chassis, Single Stage, 3.2mm dia Mounting Holes								
C = Mounting Chassis, Single Stage, M3X0.5 Threaded Mounting Holes								
<b>** Multi-Stage Switch Assembly Part Numbers Assigned At Factory</b>								
<b>Contact Material:</b>								
Q = Silver								
R = Gold								
<b>Caps:</b>	C14	C20	C28					
Blank = No Cap	C15	C21	C29					
C11	C16	C22						
C12	C18	C26						
C13	C19	C27						

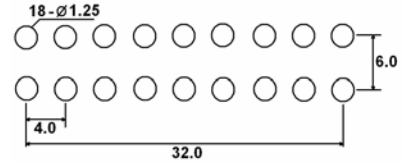
**\*\*See Cap Options for color availability**

**DIMENSIONS**

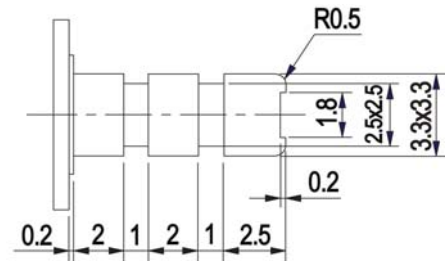
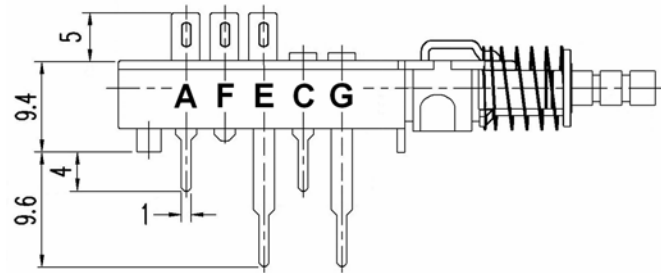


**SCHEMATIC & PC LAYOUT**

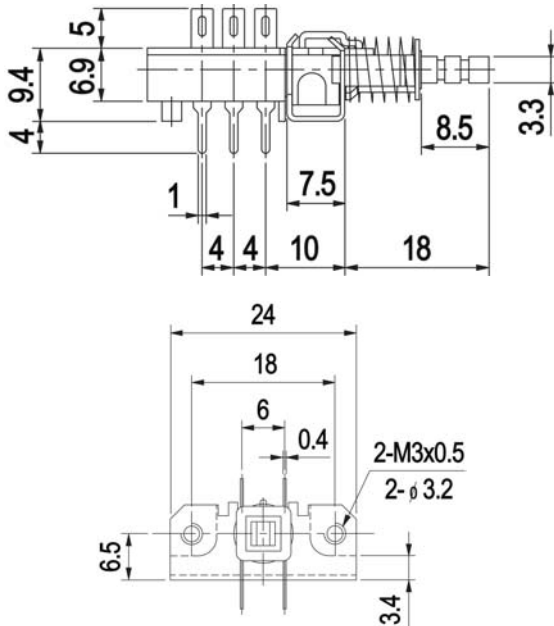
Number of Poles	"L" mm	"P" mm	"A" mm
2	24.8	6	8
4	36.8	12	16
6	48.8	18	24
8	60.8	24	32
10	72.8	30	40
16	108.8	48	64



**TERMINAL OPTIONS & ACTUATOR DETAIL**

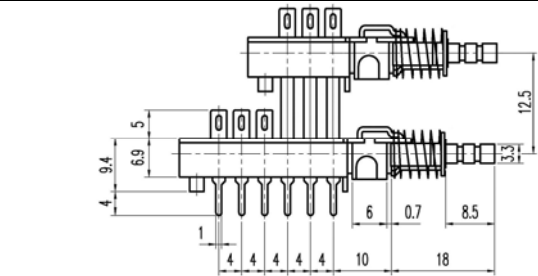


**MOUNTING OPTIONS**

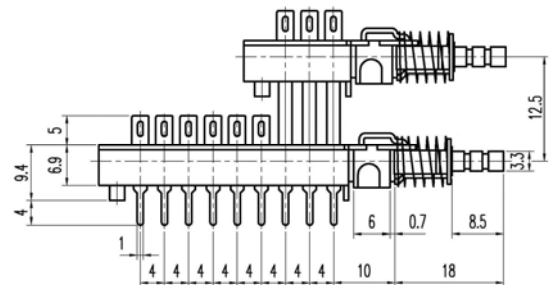


B = 3.2mm mounting holes, C = M3X0.5 mounting holes

**STACKING SWITCHES**



DL2LAQ/4LAQ (soft touch = DL2SLAQ/4SLAQ)

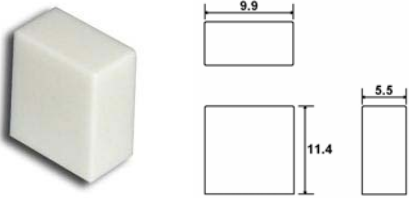
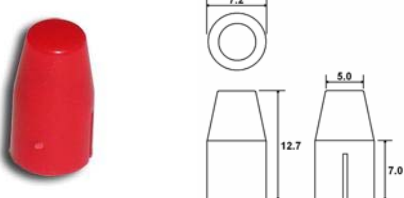
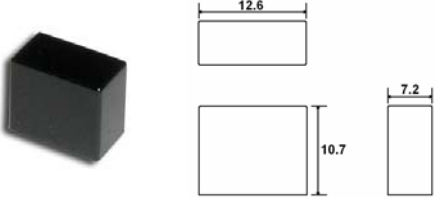
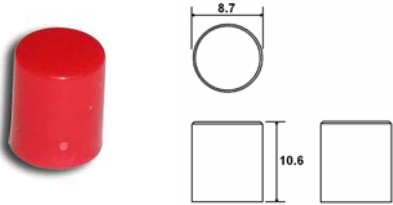
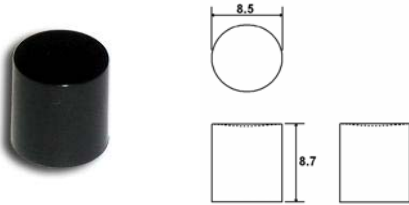
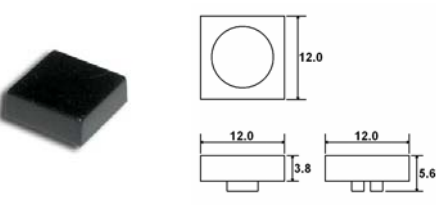
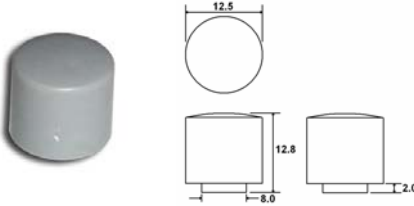
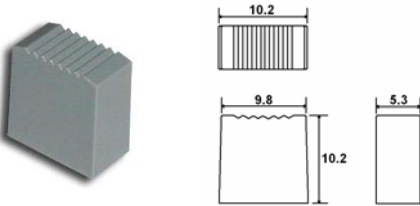
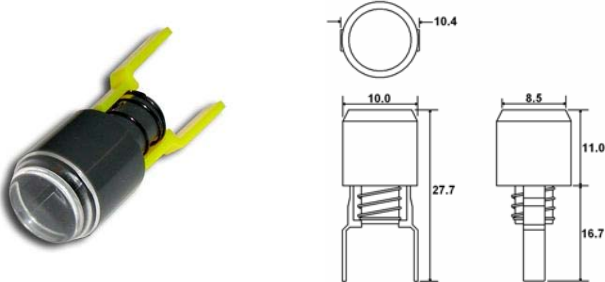
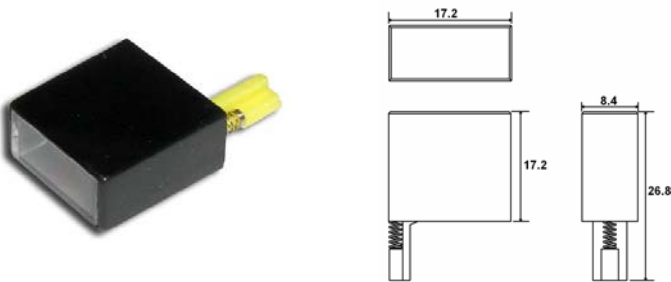


DL2LAQ/6LAQ (soft touch = DL2SLAQ/DL6SLAQ)

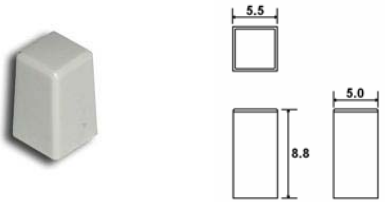
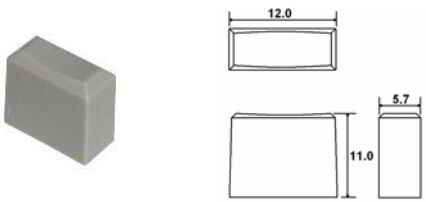
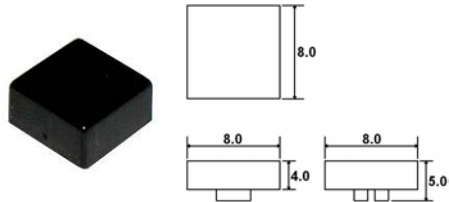
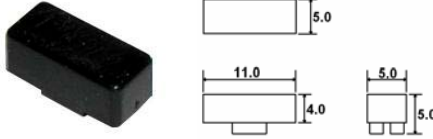
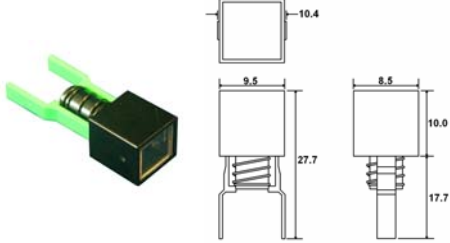
**CONTACT OPTIONS**

Designator	Contact Material	Terminal Material	Electrical Ratings
Q	Silver Plating	Silver Plating	500mA @ 120VAC, 1A @ 28VDC
R	Gold over Nickel Plating	Gold over Nickel Plating	0.4VA max @ 20VAC or VDC max

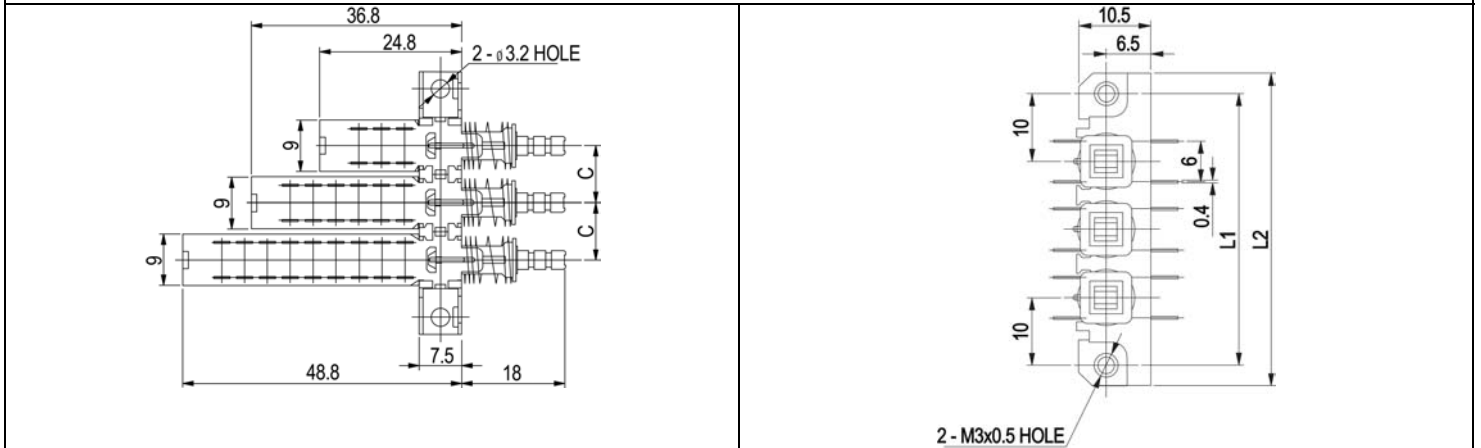
**CAP OPTIONS**

 <p><b>C11_</b> 1 = White, 2 = Black, 3 = Red, 9 = Gray Contact Factory for other available colors</p>	 <p><b>C12_</b> 1 = White, 2 = Black, 3 = Red, 9 = Gray Contact Factory for other available colors</p>	 <p><b>C13_</b> 1 = White, 2 = Black, 3 = Red, 9 = Gray Contact Factory for other available colors</p>
 <p><b>C14_</b> 1 = White, 2 = Black, 3 = Red, 9 = Gray Contact Factory for other available colors</p>	 <p><b>C15_</b> 2 = Black, 0 = Clear Contact Factory for other available colors</p>	 <p><b>C16_</b> 1 = White, 2 = Black, 3 = Red, 7 = Blue Contact Factory for other available colors</p>
 <p><b>C18_</b> 1 = White, 2 = Black, 9 = Light Gray Contact Factory for other available colors</p>	 <p><b>C19_</b> 1 = White, 2 = Black, 3 = Red, 8 = Dark Gray Contact Factory for other available colors</p>	
 <p><b>C20_</b> Housing Color: 2 = Black, 9 = Light Gray Indicator Color: 1 = White, 4 = Yellow, 5 = Green, 7 = Blue Contact Factory for other available colors</p>		 <p><b>C21_</b> Housing Color: 2 = Black, 9 = Light Gray Indicator Color: 1 = White, 4 = Yellow, 5 = Green, 7 = Blue Contact Factory for other available colors</p>

**CAP OPTIONS**

 <p><b>C22_</b> 2 = Black, 8 = Dark Gray, 9 = Light Gray Contact Factory for other available colors</p>	 <p><b>C26_</b> 1 = White, 2 = Black, 3 = Red, 9 = Light Gray Contact Factory for other available colors</p>	 <p><b>C27_</b> 1 = White, 2 = Black, 3 = Red, 9 = Light Gray Contact Factory for other available colors</p>
 <p><b>C28_</b> 1 = White, 2 = Black, 3 = Red Contact Factory for other available colors</p>	 <p><b>C29_ _</b> Housing Color: 2 = Black Indicator Color: 1 = White, 4 = Yellow, 5 = Green, 7 = Blue Contact Factory for other available colors</p>	

**MULTI-STAGE CHASSIS ← PART NUMBERS ASSIGNED AT THE FACTORY**



**BRACKET LENGTH & MOUNTING PITCH**

Pitch (C)	Number of Positions											
	1		2		3		4		5		6	
	L1	L2	L1	L2	L1	L2	L1	L2	L1	L2	L1	L2
10mm	18	24	30	36	40	46	50	56	60	66	70	76
12.5mm			32.5	38.5	45	51	57.5	63.5	70	76	82.5	88.5
15mm			35	41	50	56	65	71	80	86	95	101
17.5mm			37.5	43.5	55	61	72.5	78.5	90	96	107.5	113.5
20mm			40	46	60	66	80	86	100	106	120	126
25mm			45	51	70	76	95	101	120	126	145	151
30mm			50	56	80	86	110	116	140	146	170	176