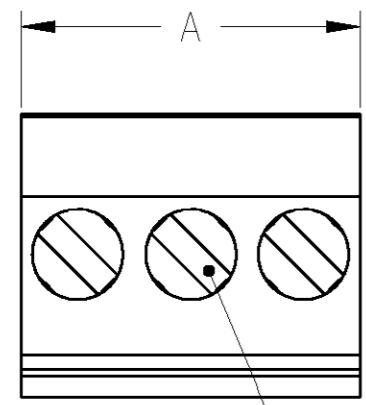


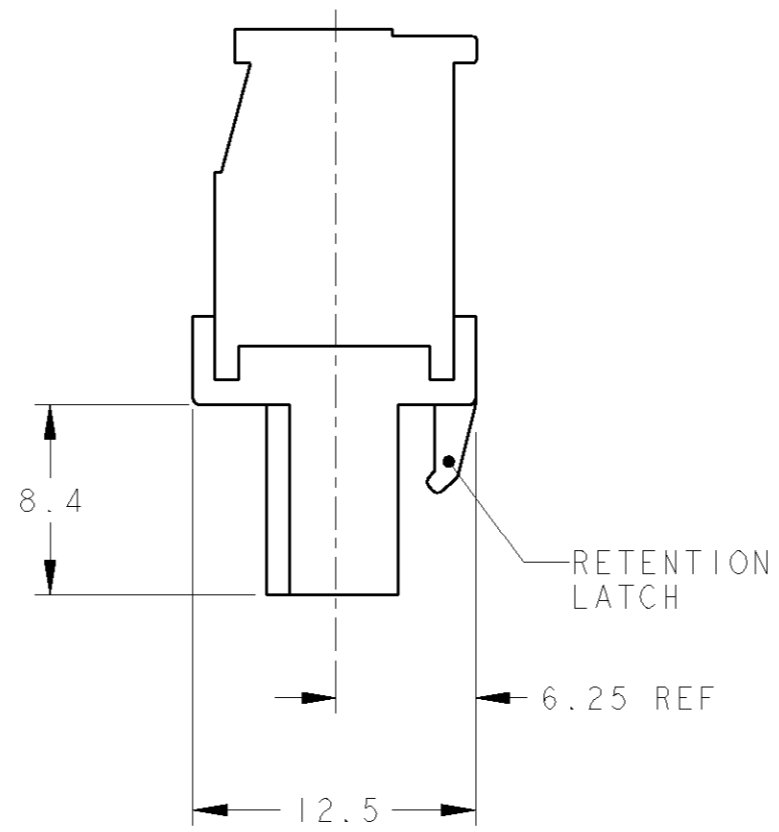
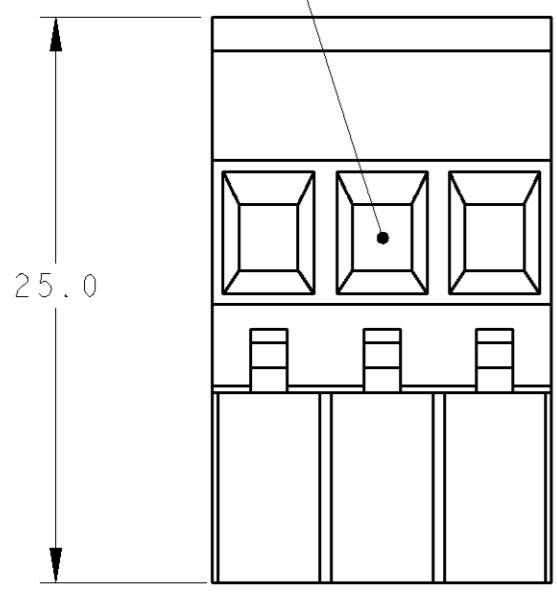
THIS DRAWING IS UNPUBLISHED. RELEASED FOR PUBLICATION 20
 © COPYRIGHT 20 BY TYCO ELECTRONICS CORPORATION. ALL RIGHTS RESERVED.

LOC	DIST	REVISIONS				
P	LTR	DESCRIPTION	DATE	DWN	APVD	
		A	RELEASED	12AUG2003	SW	CR

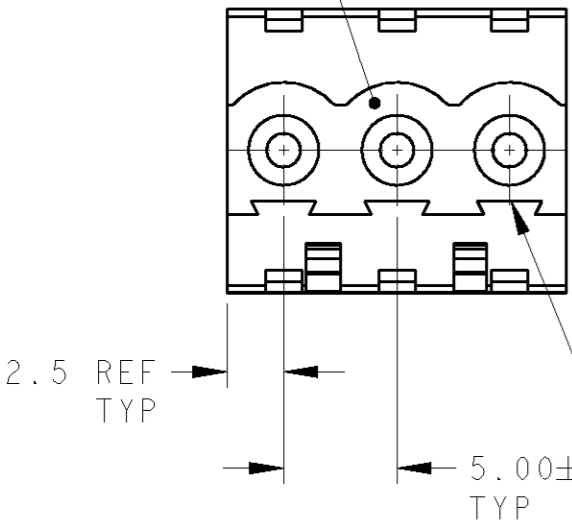


- 1 MATERIALS AND FINISH
 HOUSING: PA 6-6, UL 94-V0, COLOR: GRAY.
 CLAMP: BRASS, NICKEL PLATED.
 CONTACT SPRING : PHOSPHOR BRONZE, TIN PLATED.
 CLAMPING SCREW: M3, BRASS, NICKEL PLATED.
- 2. WIRE SIZE RANGE: 12 - 30 AWG
- 3 NOT CUMULATIVE TOLERANCE.

WIRE ENTRY CLAMPING SCREW



MATING FACE POLARIZATION KEY SLOT



125.0	25	2-1546223-5
120.0	24	2-1546223-4
115.0	23	2-1546223-3
110.0	22	2-1546223-2
105.0	21	2-1546223-1
100.0	20	2-1546223-0
95.0	19	1-1546223-9
90.0	18	1-1546223-8
85.0	17	1-1546223-7
80.0	16	1-1546223-6
75.0	15	1-1546223-5
70.0	14	1-1546223-4
65.0	13	1-1546223-3
60.0	12	1-1546223-2
55.0	11	1-1546223-1
50.0	10	1-1546223-0
45.0	9	1546223-9
40.0	8	1546223-8
35.0	7	1546223-7
30.0	6	1546223-6
25.0	5	1546223-5
20.0	4	1546223-4
15.0	3	1546223-3
10.0	2	1546223-2
A	NO OF POSN	PART NUMBER

THIS DRAWING IS A CONTROLLED DOCUMENT FOR TYCO ELECTRONICS CORPORATION IT IS SUBJECT TO CHANGE AND THE CONTROLLING ENGINEERING ORGANIZATION SHOULD BE CONTACTED FOR THE LATEST REVISION.

DIMENSIONS:	TOLERANCES UNLESS OTHERWISE SPECIFIED:	DWN	S. WELDON	12AUG2003	BUCHANAN Tyco Electronics Harrisburg, PA 17105-3608
mm	0 PLC ±.3	CHK	C. RICHARD	12AUG2003	
	1 PLC ±.25	APVD	C. RICHARD	12AUG2003	
	2 PLC ±.	PRODUCT SPEC	-	-	
	3 PLC ±.	APPLICATION SPEC	-	-	NAME
	4 PLC ±.	WEIGHT	-	-	TERMINAL BLOCK, PLUG, VERTICAL, STACKING, LEFT HAND 5.00mm PITCH
	ANGLES ±2	CUSTOMER DRAWING	-	-	SIZE
MATERIAL	FINISH	SCALE	3:1	SHEET	1
		RESTRICTED TO	-	OF	1
		REV	A		