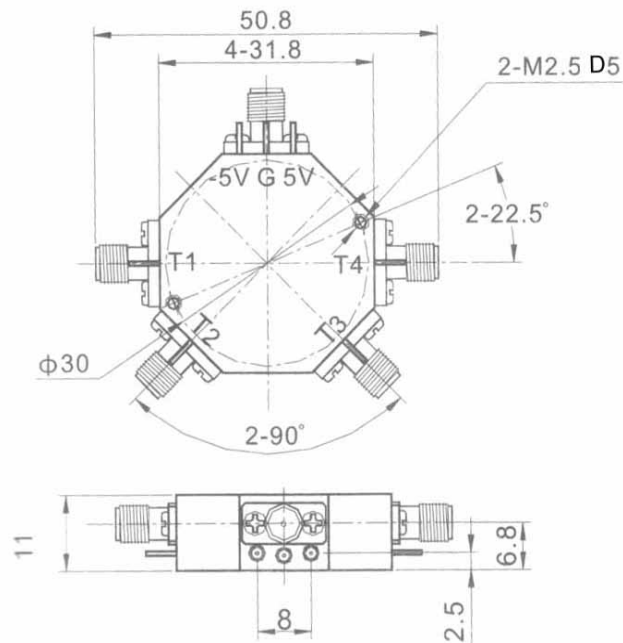


SP4T Switch

P/N: JXWBKG-4-0.5-18

| | |
|---------------------------|------------|
| Frequency Range(GHz) | 0.5-18 |
| Insertion Loss(dB) | 3.8 |
| Isolation(dB) | 60 |
| VSWR | 2.0 |
| Switching Speed(ns) | 50 |
| Power Handling(W) | 1 CW max |
| Operating Temperature(°C) | -55 ~ + 85 |
| Storage Temperature(°C) | -65 ~ +125 |

Outline Drawing (Size: mm)



For current data sheets, please contact: sales@aacix.com