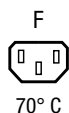


IEC Appliance Outlet F or H, Screw-on Mounting, Front Side, Solder or Quick-connect Terminal



Description

- Panel Mount:
Screw-on mounting, from front side
- Connector, Pin temperature 70 °C, protection class I or II
- Solder terminals or quick connect terminals

Approvals

- VDE License Number: 40010295
- UL License Number: E57445
- CSA License Number: 27324

References

[General Product Information](#)

Weblinks

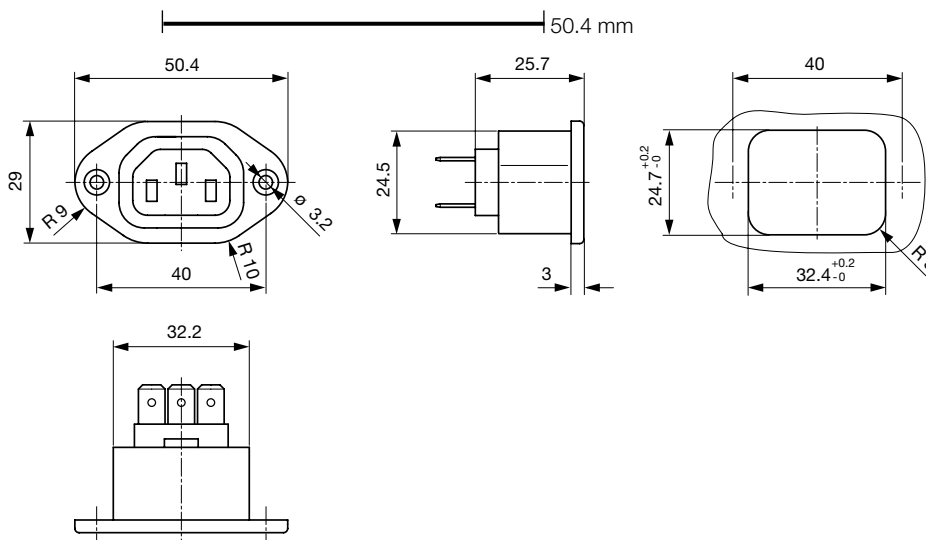
[Approvals](#), [RoHS](#), [CHINA-RoHS](#), [Mating Connectors](#), [e-Store](#), [Distributor-Stock-Check](#), [Accessories](#)

Technical Data

Ratings IEC	10 A / 250 VAC; 50 Hz
Ratings UL/CSA	15 A / 250 VAC; 60 Hz
Dielectric Strength	> 4 kVAC between L-N > 2 kVAC between L/N-PE (1 min/50 Hz)
Allowable Operation Temp.	-25 °C to 70 °C
Degree of Protection	from front side IP 20 acc. to IEC 60529
Protection Class	Suitable for appliances with protection class 1 or 2 acc. to IEC 61140
Terminal	Solder terminals or quick connect terminals
Material: Housing	UL 94V-0

Appliance Outlet	F acc. to IEC/EN 60320-2-2 UL 498, CSA C22.2 no. 42 (for cold conditions) pin-temperature 70 °C, 10A, Protection Class 1 or 2
------------------	--

Dimensions



length of the terminal please find at the order code configuration table

Config. Code

Product Configurator

5098 - H - A B C 0 - D - E

The characters are placeholders for the correspondingly keys of selections from the key tables.

5098 - H - A B C 0 - D - E = Type

Type	Configuration key
protection class 2	B
protection class 1	X

5098 - H - A B C 0 - D - E = Terminals

Terminal L	Configuration key
solder terminal	1
blade terminal (6,3x0,8mm)	9



5098 - H - A B C 0 - D - E = Terminals

Terminal N	Configuration key
solder terminal	1
blade terminal (6,3x0,8mm)	9

Symbols similar as in table A

5098 - H - A B C 0 - D - E = Terminals

Terminal Ground	Configuration key
without terminal	0
solder terminal	1
blade terminal (6,3x0,8mm)	9

Symbols similar as in table A

5098 - H - A B C 0 - D - E = Color

Color	Configuration key
jet black; RAL9005	A
silver grey; RAL7001	B
pure white; RAL9010	D

standard color: black

5098 - H - A B C 0 - D - E = Style

Style	Configuration key
flange with countersunk holes	1
flange with through holes	2

Variants

Config. Code	Description	Order Number
5098-B-1100-B-1	5098, IEC Appliance Outlet F, 70°C, version: 1 or 2, L: solder terminal, N: solder terminal, ground: without terminal, color: silver grey; RAL7001, design: flange with countersunk holes, dimension X:	6182.0026
5098-B-9900-A-1	5098, IEC Appliance Outlet F, 70°C, version: 1 or 2, L: blade terminal (6,3x0,8mm), N: blade terminal (6,3x0,8mm), ground: without terminal, color: jet black; RAL9005, design: flange with countersunk holes, dimension X:	6182.0027
5098-X-1110-A-1	5098, IEC Appliance Outlet F, 70°C, version: 1 or 2, L: solder terminal, N: solder terminal, ground: solder terminal, color: jet black; RAL9005, design: flange with countersunk holes, dimension X:	6182.0028
5098-X-1110-A-2	5098, IEC Appliance Outlet F, 70°C, version: 1 or 2, L: solder terminal, N: solder terminal, ground: solder terminal, color: jet black; RAL9005, design: flange with through holes, dimension X:	6182.0029
5098-X-1110-B-1	5098, IEC Appliance Outlet F, 70°C, version: 1 or 2, L: solder terminal, N: solder terminal, ground: solder terminal, color: silver grey; RAL7001, design: flange with countersunk holes, dimension X:	6182.0030
5098-X-9990-A-1	5098, IEC Appliance Outlet F, 70°C, version: 1 or 2, L: blade terminal (6,3x0,8mm), N: blade terminal (6,3x0,8mm), ground: blade terminal (6,3x0,8mm), color: jet black; RAL9005, design: flange with countersunk holes, dimension X:	6182.0031
5098-X-9990-B-1	5098, IEC Appliance Outlet F, 70°C, version: 1 or 2, L: blade terminal (6,3x0,8mm), N: blade terminal (6,3x0,8mm), ground: blade terminal (6,3x0,8mm), color: silver grey; RAL7001, design: flange with countersunk holes, dimension X:	6182.0032

The listed variants should be available from stock. Other versions on request www.schurter.com/contact

Packaging unit

50 Pcs

Mating Inlets/Plugs

Category / Description

[Interconnection Cord Overview complete](#)



Interconnection Cord with IEC Plug E, Angled	0607
Interconnection Cord with IEC Plug E, Angled	0608
Interconnection Cord with IEC Plug E, Straight	0609
Interconnection Cord with IEC Plug G, Angled	607B
Interconnection Cord with IEC Plug G, Angled	608B

[Interconnection Cord further types to 5098](#)

...



Plug Overview complete

IEC Plug E, Cord Connector (Rewireable), Straight, max. cable Diameter 8.5 mm	4732
IEC Plug E, Cord Connector (Rewireable), Angled, max. Cable Diameter 10 mm	4733
IEC Plug E, Cord Connector (Rewireable), Straight, max. Cable Diameter 10 mm	4735
IEC Plug E, Cord Connector (Rewireable), Angled, max. Cable Diameter 10 mm	4736
IEC Plug E, Cord Connector (Rewireable), Straight	9009
Plug further types to 5098	...