

Customer Name	Standard specification	FUJITSU MEDIA DEVICES LIMITED	
Application	IF Filter for Digital Terrestrial TV (Switchable)		
Center Frequency	36.00 MHz	DATE	Jun. 30 2003
FMD Part Number	SBSF03ABPL	Version 1.3	

Table 1-1 Electrical Specification (Ta=25°C)

Channel 1 (BW=7MHz) Pin No.1&2=INPUT Pin No.3=GROUND						
Items	Conditions	Specification			Unit	Remarks
		Min.	Typ.	Max.		
Center frequency		–	36.000	–	MHz	
Insertion Loss	36.000 MHz	20.0	21.5	23.0	dB	
Pass bandwidth	1 dB	–	6.5	–	MHz	
	3 dB	–	7.0	–	MHz	
	30 dB	–	8.6	–	MHz	
Relative level	31.750 MHz	–	-26	-19	dB	
	32.500 MHz	- 4.5	- 2.9	–	dB	
	32.700 MHz	- 2.2	- 1.2	–	dB	
	36.000 MHz	–	0	–	dB	Reference
	39.300 MHz	- 2.2	- 1.1	–	dB	
	39.500 MHz	- 4.5	- 3.0	–	dB	
	40.400 MHz	–	-34	-25	dB	
	46.750 MHz	–	-48	-33	dB	
	25.000 ~ 30.000 MHz	–	-38	-33	dB	
	42.000 ~ 50.000 MHz	–	-36	-30	dB	
Amplitude ripple (p-p)	33.000 ~ 39.000 MHz	–	0.5	1.0	dB	
Group delay ripple (p-p)	32.500 ~ 39.500 MHz	–	44	80	ns	
Input Capacitance	Cin1 (1.0 MHz)	–	19.0	–	pF	
Output Capacitance	Cout (1.0 MHz)	–	4.3	–	pF	
Temperature coefficient		–	-72	–	ppm/°C	

Customer Name	Standard specification	FUJITSU MEDIA DEVICES LIMITED	
Application	IF Filter for Digital Terrestrial TV (Switchable)		
Center Frequency	36.00 MHz	DATE	Jun. 30 2003
FMD Part Number	SBSF03ABPL	Version 1.3	

Table 1-2 Electrical Specification (Ta=25°C)

Channel 2 (BW=8MHz) Pin No.1=INPUT Pin No.2&3=GROUND						
Items	Conditions	Specification			Unit	Remarks
		Min.	Typ.	Max.		
Center frequency		–	36.000	–	MHz	
Insertion Loss	36.000 MHz	20.0	21.5	23.0	dB	
Pass bandwidth	1 dB	–	7.4	–	MHz	
	3 dB	–	7.9	–	MHz	
	30 dB	–	9.5	–	MHz	
Relative level	31.250 MHz	–	-30	-23	dB	
	32.000 MHz	- 5.7	- 4.0	–	dB	
	32.200 MHz	- 2.8	- 1.6	–	dB	
	36.000 MHz	–	0(Ref.)	–	dB	
	39.800 MHz	- 2.8	- 1.5	–	dB	
	40.000 MHz	- 5.5	- 3.8	–	dB	
	40.900 MHz	–	-42	-30	dB	
	47.250 MHz	–	-50	-30	dB	
	25.000 ~ 30.000 MHz	–	-39	-34	dB	
	42.000 ~ 50.000 MHz	–	-34	-30	dB	
Amplitude ripple (p-p)	33.150 ~ 39.100 MHz	–	0.5	1.0	dB	
Group delay ripple (p-p)	32.650 ~ 39.600 MHz	–	40	80	ns	
Input Capacitance	Cin2 (1.0 MHz)	–	22.6	–	pF	
Output Capacitance	Cout (1.0 MHz)	–	4.3	–	pF	
Temperature coefficient		–	-72	–	ppm/°C	

Customer Name	Standard specification	FUJITSU MEDIA DEVICES LIMITED	
Application	IF Filter for Digital Terrestrial TV (Switchable)		
Center Frequency	36.00 MHz	DATE	Jun. 30 2003
FMD Part Number	SBSF03ABPL	Version 1.3	

● **Dimensions**

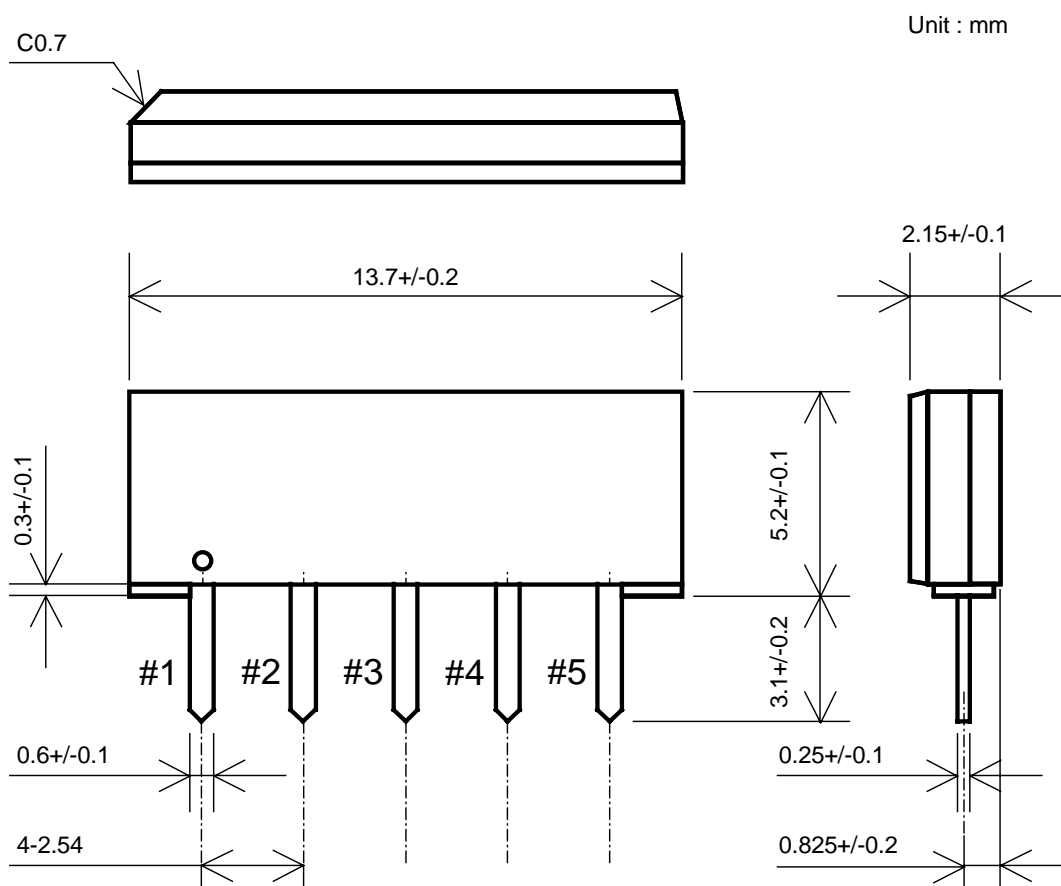


Fig.1

● **Pin Configuration**

Table 2

Pin No.	Symbol	Function
#1	IN	Input
#2	SW	Switching
#3	GND	Ground
#4	OUT	Output
#5	OUT	Output

Customer Name	Standard specification	FUJITSU MEDIA DEVICES LIMITED	
Application	IF Filter for Digital Terrestrial TV (Switchable)		
Center Frequency	36.00 MHz	DATE	Jun. 30 2003
FMD Part Number	SBSF03ABPL	Version 1.3	

● **Evaluation Circuit**

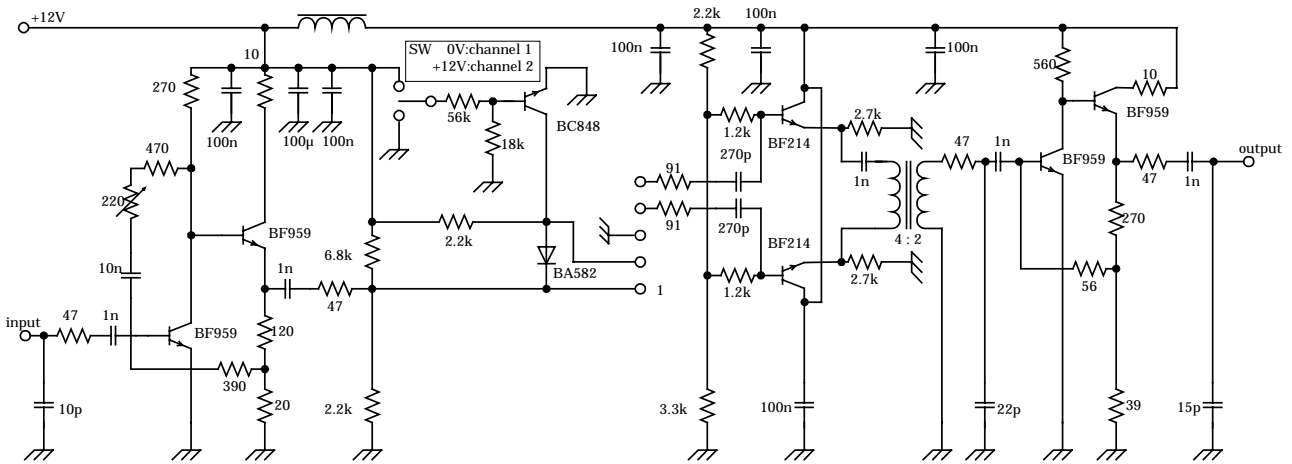


Fig.2 Evaluation circuit

● **Equivalent Circuit**

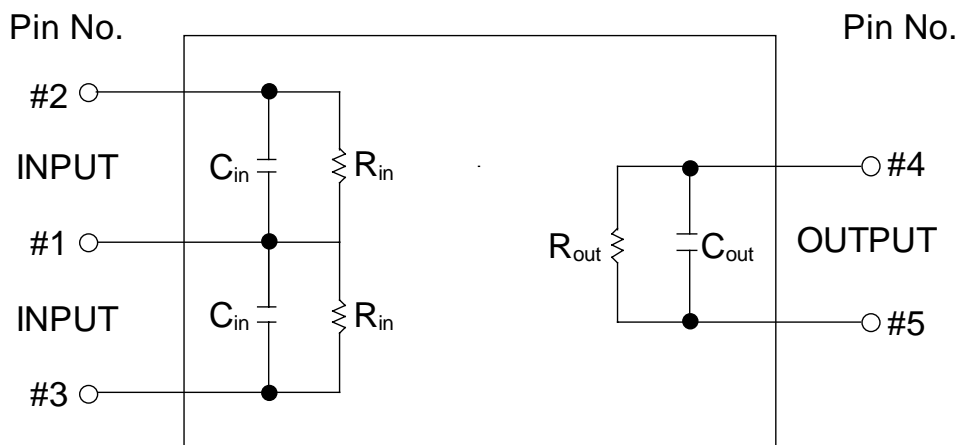
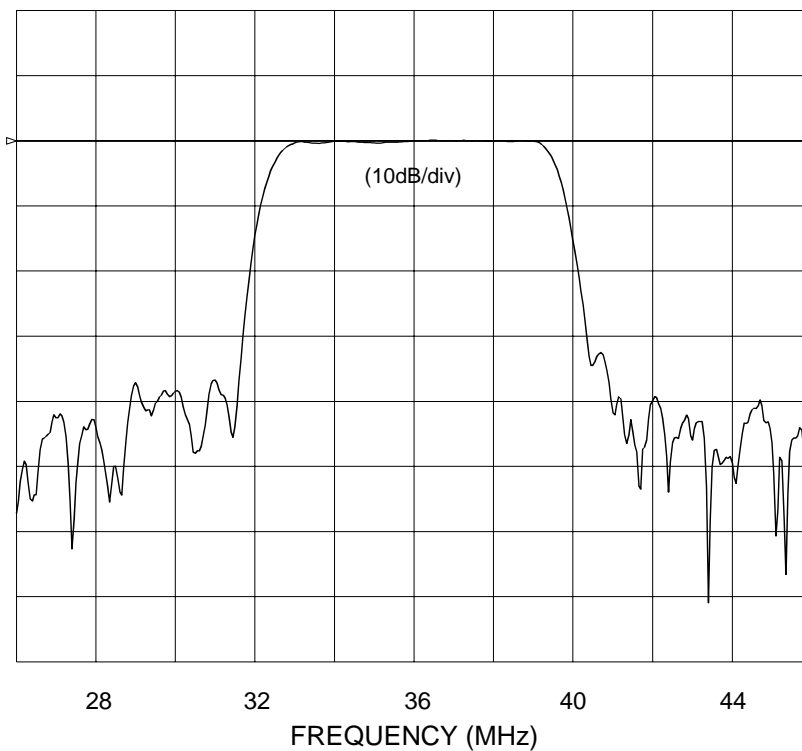


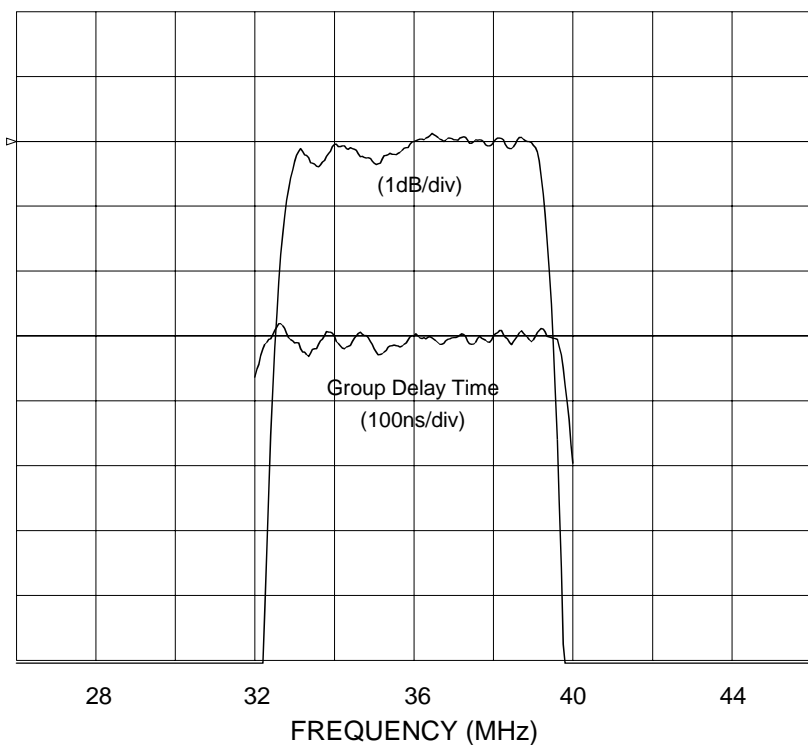
Fig.3 Equivalent circuit

Customer Name	Standard specification	FUJITSU MEDIA DEVICES LIMITED	
Application	IF Filter for Digital Terrestrial TV (Switchable)		
Center Frequency	36.00 MHz	DATE	Jun. 30 2003
FMD Part Number	SBSF03ABPL	Version 1.3	

Channel 1 (BW=7MHz)



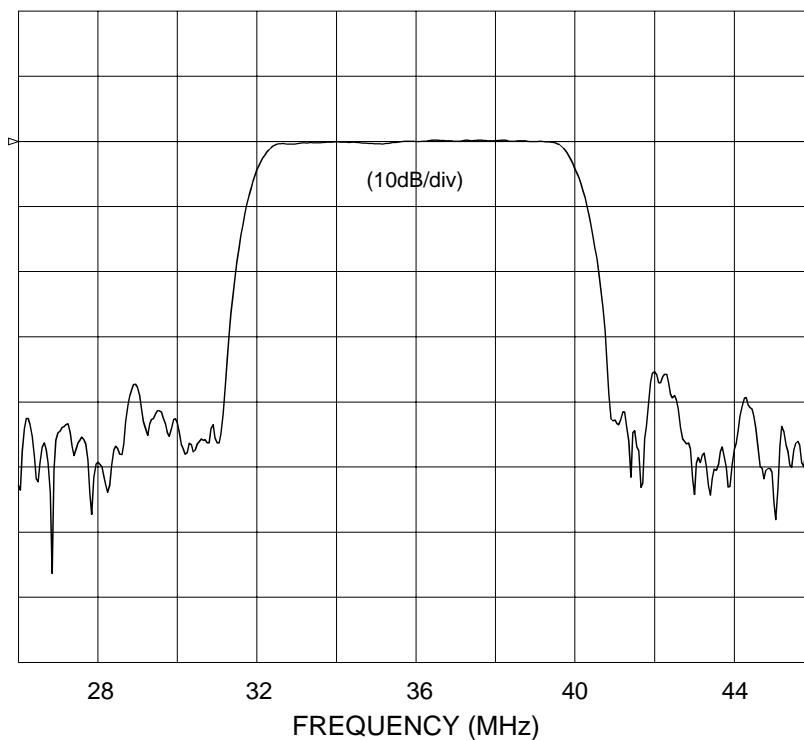
Frequency Characteristics



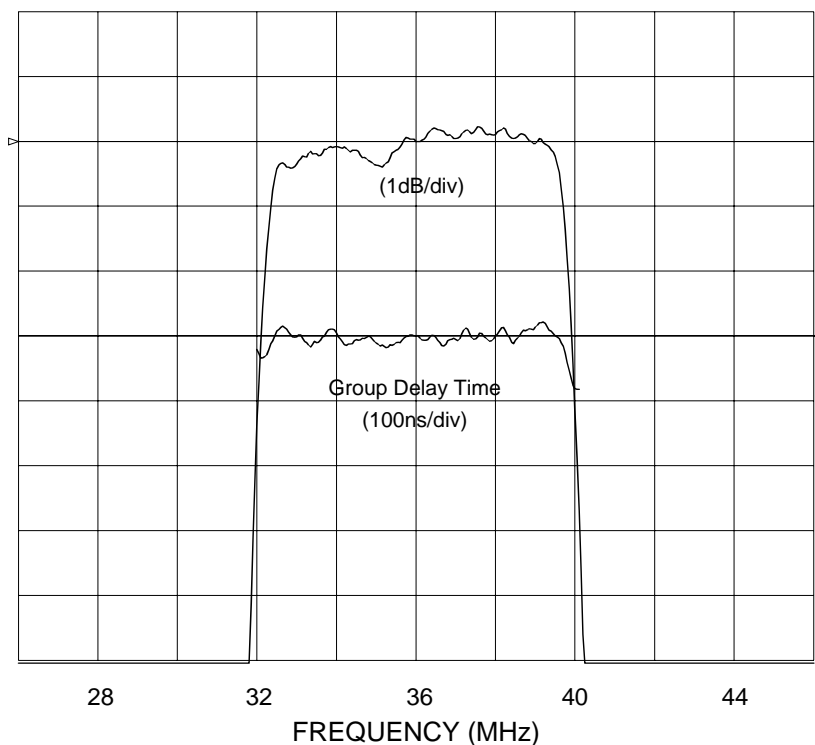
In-band Characteristics

Customer Name	Standard specification	FUJITSU MEDIA DEVICES LIMITED	
Application	IF Filter for Digital Terrestrial TV (Switchable)		
Center Frequency	36.00 MHz	DATE	Jun. 30 2003
FMD Part Number	SBSF03ABPL	Version 1.3	

Channel 2 (BW=8MHz)



Frequency Characteristics



In-band Characteristics