

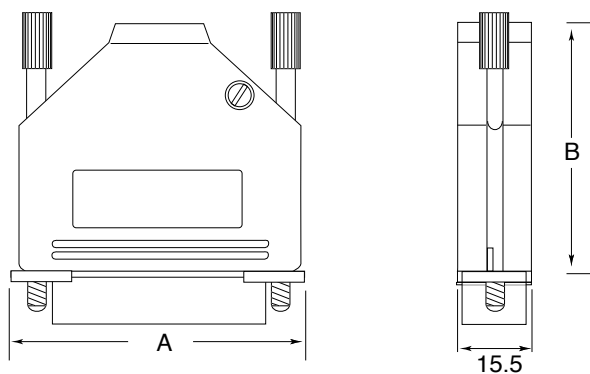
**D TYPE CONNECTOR HOODS**

- RFI/EMI Screened Hoods
- Nickel or Black Available
- 9, 15, 25 or 37 way
- Lightweight Zinc Diecast Shell
- 45° Cable Entry Available
- VDE Approved
- Accommodates 3.5mm to 13mm Cable

**DIECAST HOODS**



**OUTLINE DRAWING**



	<b>A</b>	<b>B</b>
9 WAY	31.2	39.9
15 WAY	39.5	41.5
25 WAY	53.4	48.6
37 WAY	69.7	53.6

Dimension - mm

SECTION 11

**ORDERING INFORMATION**

<b>DBC</b>	<b>D</b>	<b>DH</b>	<b>09</b>	<b>NKL</b>
Dubilier Connectors	D style	Hood Style	N° of Ways	Colour
		DH = Diecast Hood DH45 = Diecast Hood 45°	09 = 9ways 15 = 15ways 25 = 25ways 37 = 37ways	NKL = Nickel BLK = Black