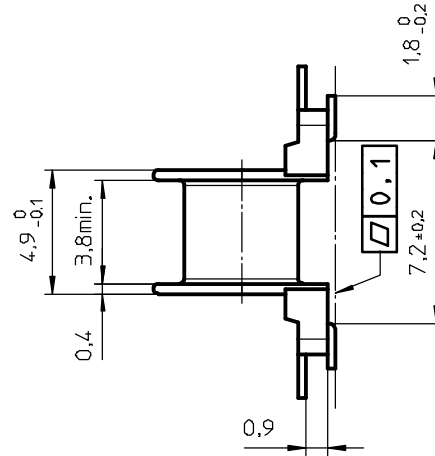
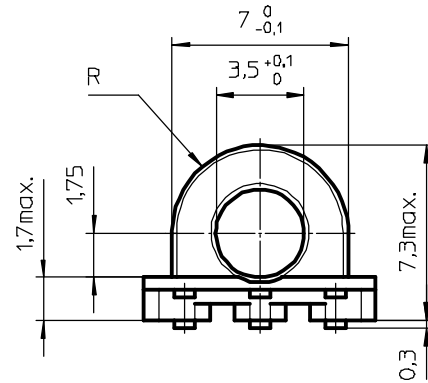
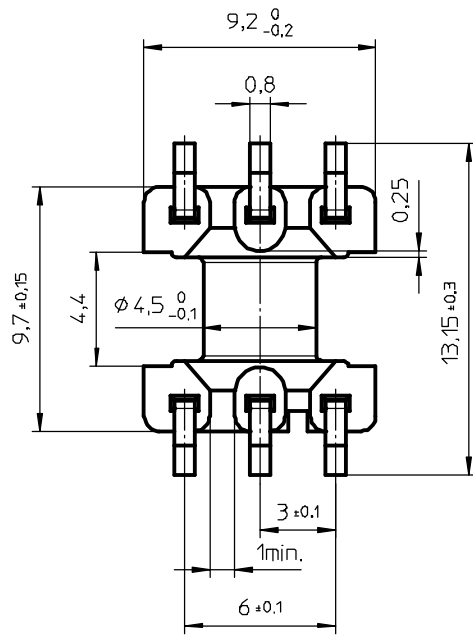
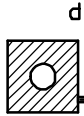
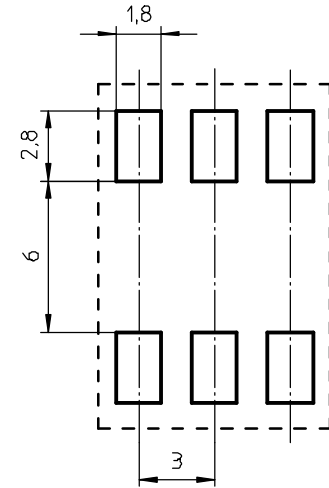


FERROXCUBE



PROPOSED PAD ARRANGEMENT:



Coil former material: Sumikon PM9630 (PF), glass-reinforced.
 UL file number: E41429 - UL94V-0.
 Pin material: CuSn - Ni flash, Sn plated.
 Max. operating temp.: acc. to IEC 60 085 class F, 155°C.
 Resistance to soldering heat: acc. to IEC 60 068-2-20 Part 2, Test Tb, method 1B, 350°C - 3,5s
 Solderability: acc. to IEC 60 068-2-20 Part 2, Test Ta, method 1, 235°C - 2s.
 Min. winding area: 4,56 mm².
 Mean length of turn: 17,9 mm.



CLASSNO.		1 03-06-03	
NAME		CSHS-EP7-1S-6P-Z	
NO. IN		4322 021 06341	
NAME	M.Veekens	SUPERS	001
NO. IN	MPA	VERV.	112 - 001
CHECK	069	DATE	2003-06-03
CONTR.		Property of	© FERROXCUBE 2000
		Eigendom van	A3