

**Features**

- Normal and common attenuation to 30MHz.
- VCCI, FCC, Part15.
- EMI/ RFI filter with transient voltage protection.
- TVS protection monitoring indicator.
- TVS protector is replaceable.

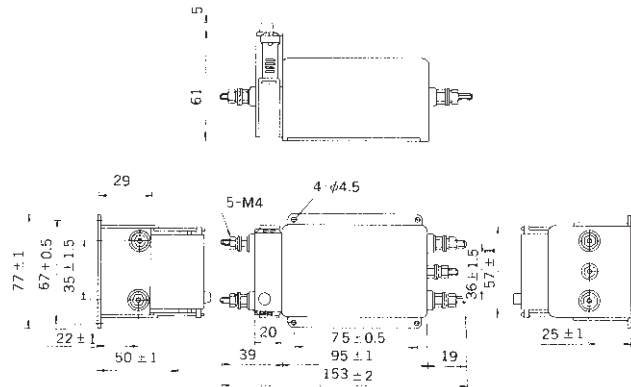
**Applications**

- Information processing systems, Control systems and NC machinery.
- SUP-K□H-ERB-4 Series (Screw terminal)

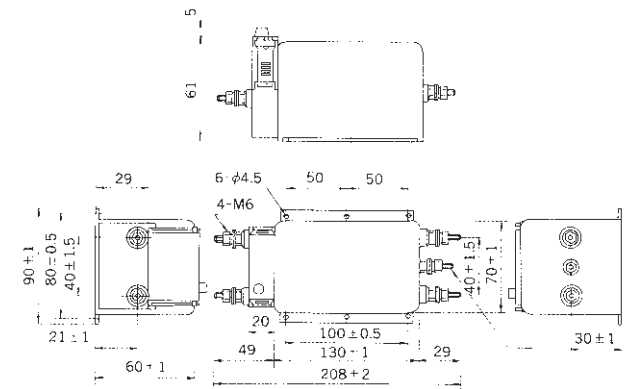


Safety Agency : Standard	File No.
UL : UL-1283	E78644

*Dimensions*  
K10H, K15H

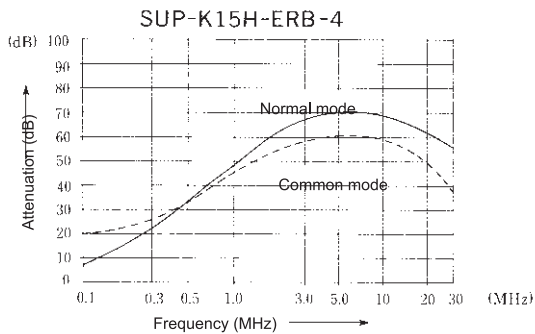


K20H, K30H

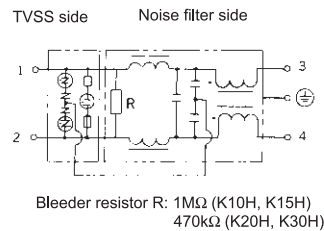


Unit: mm

*Static characteristics*



*Circuit*



**Electrical Specifications**

Safety Agency	Model Number	Rated Voltage (VAC)	Rated Current (A)	Surge voltage withstand	Insulation Resistance	Leakage Current (max)	Voltage Drop (max)	Temperature Rise (max)	Operating Temperature (°C)	Insertion losses	
										Normal Mode (MHz)	Common Mode (MHz)
	SUP-K10H-ERB-4P1	125	10	Line to Ground 1.2 × 50μS 12kv	Line to Ground 100Ωmin (at 100Vdc)	0.5 mA (at 125Vrms 60Hz)	1.5Vrms	30deg	-25 ~ +55	0.6~30	0.5~20
	SUP-K15H-ERB-4P1		15							1.0~30	1.0~30
	SUP-K20H-ERB-4P1		20							0.5~30	0.9~30
	SUP-K30H-ERB-4P1		30							0.7~30	2.0~30
	SUP-K10H-ERB-4P2	250	10							0.6~30	0.5~30
	SUP-K15H-ERB-4P2		15							1.0~30	1.0~30
	SUP-K20H-ERB-4P2		20							0.5~30	0.9~30
	SUP-K30H-ERB-4P2		30							0.7~30	2.0~30

Test Voltage: Line to Line= 100Vrms 50/60Hz 60sec  
Line to Ground= 2000Vrms 50/60Hz 60sec

Guaranteed attenuation is more than 30dB.