

FEATURES

- 1X1 Tab-UP, 1" Long RJ45 with internal magnetics
- 8 or 6-pin signal pin versions available
- Available with and without LEDs
- Suitable for CAT 5 & 6 Fast Ethernet Cable or better UTP
- Internal magnetics are 100% electrically tested for HI-POT and functionality
- 350 μ H minimum OCL with 8 mA bias current

ELECTRICAL SPECIFICATIONS @25°C-Operating temperature 0°C TO 70°C

Part Number	Turns Ratio		LEDs	Insertion Loss (dB TYP)	Return Loss (dB TYP)					Crosstalk (dB TYP)			Common Mode Rejection (dB TYP)		Hipot (Vrms) @60Hz
	TX	RX			L/R	1-65 MHz	1-10 MHz	10-30 MHz	30-60 MHz	60-80 MHz	1-30 MHz	30-60 MHz	60-100 MHz	1-50 MHz	
RJ47- 01ND2	1CT:1	1CT:1CT	NONE	-1.0	-20	-16	-12	-10	-40	-35	-30	-30	-20	1500	
RJ47- 02YGD2	1CT:1CT	1CT:1CT	Y/G	-1.0	-20	-16	-12	-10	-40	-35	-30	-30	-20	1500	
RJ47- 03ND2	1CT:1	1CT:1CT	NONE	-1.0	-20	-16	-12	-10	-40	-35	-30	-30	-20	1500	
RJ47- 04GYDNW2	1CT:1	1CT:1	G/Y	-1.0	-20	-16	-12	-10	-40	-35	-30	-30	-20	1500	
RJ47- 04ND2	1CT:1	1CT:1	NONE	-1.0	-20	-16	-12	-10	-40	-35	-30	-30	-20	1500	
RJ47-05GYDNW2	1CT:1CT	1CT:1CT	G/Y	-1.0	-20	-16	-12	-10	-40	-35	-30	-30	-20	1500	
RJ47-05GYD2	1CT:1CT	1CT:1CT	G/Y	-1.0	-20	-16	-12	-10	-40	-35	-30	-30	-20	1500	
RJ47-06YGDNW2	1CT:1CT	1CT:1CT	Y/G	-1.0	-20	-16	-12	-10	-40	-35	-30	-30	-20	1500	
RJ47-06YGD2	1CT:1CT	1CT:1CT	Y/G	-1.0	-20	-16	-12	-10	-40	-35	-30	-30	-20	1500	
RJ47-06GGD2	1CT:1CT	1CT:1CT	G/G	-1.0	-20	-16	-12	-10	-40	-35	-30	-30	-20	1500	
RJ47-07NW2	1CT:1	1CT:1CT	NONE	-1.0	-20	-16	-12	-10	-40	-35	-30	-30	-20	1500	
RJ47-07GYDNW2	1CT:1	1CT:1CT	G/Y	-1.0	-20	-16	-12	-10	-40	-35	-30	-30	-20	1500	
RJ47-07YGD2	1CT:1	1CT:1CT	Y/G	-1.0	-20	-16	-12	-10	-40	-35	-30	-30	-20	1500	
RJ47-11GDD2	1CT:1	1CT:1	G/O_G	-1.0	-20	-16	-12	-10	-40	-35	-30	-30	-20	1500	
RJ47-12GDD2	1CT:1CT	1CT:1CT	G/O_G	-1.0	-20	-16	-12	-10	-40	-35	-30	-30	-20	1500	
RJ47-13GDD2	1CT:1	1CT:1CT	G/O_G	-1.0	-20	-16	-12	-10	-40	-35	-30	-30	-20	1500	

Part Number

RJ47 – XX GYD NW 2
A B C D E

- A: Series
- B: Schematics
- C: Led
- D: Mechanical
- E: Gold Plating: 1=3u", 2=6u", 3=15u", 4=30u", 5=50u"

Mechanicals

Housing Material:

MATERIAL:NYLON GF (Fr50) UL94V-0 STANDARD COLOR:BLACK

Insert Material:

MATERIAL: Phos-Bronze C5210 EH--0.35mm Thickness

Insert -PBT GF UL94V-0

- 1.PLATING(1) NICKEL
- 2.PLATING(2) 100%Sn
- 3.PLATING(3) GOLD (3u" ~ 50u")

Plate Material:

PBT GF UL 94V-0

Contact pin Material:

MATERIAL: Phos-Bronze C5210 EH--0.35mm Thickness

- 1.PLATING(1) NICKEL
- 2.PLATING(2) 100%Sn

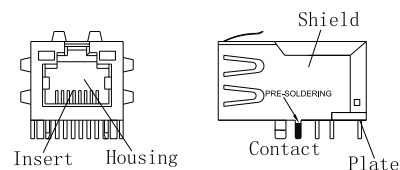
Shielding Material:

BRASS C2680 H.--0.25mm THICKNESS PLATING NICKEL

Operating Life: 750 Cycles MIN.

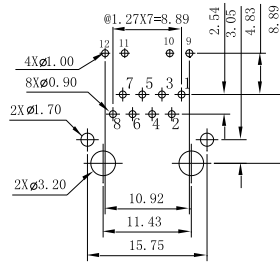
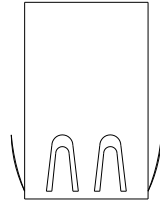
Environmental

1. Storage Temp:-40°C TO +85°C.
2. Operating Temp: 0°C TO +70°C.
3. Wave Soldering Temperature:230 ~ 250°C(3 ~ 5 SECONDS)
4. MATES WITH MODULAR PLUG CONFORMING TO FCC PART 68 SUBPARTF.

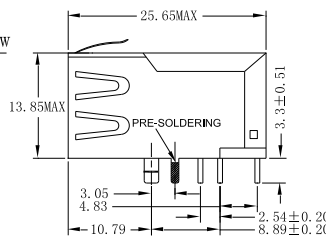
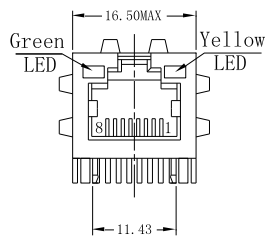


Mechanicals And Dimensions

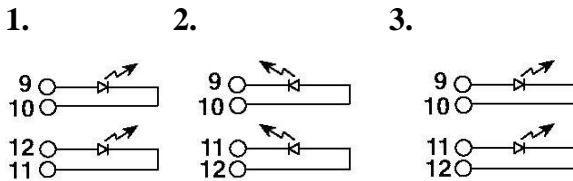
0X



PC Board Layout
Component Side Shown



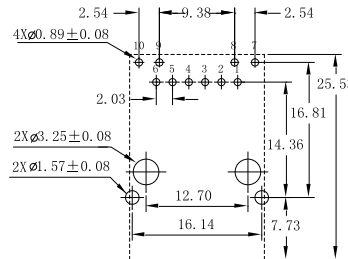
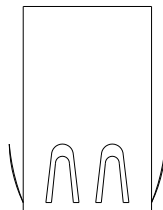
UNIT: mm Unless otherwise specified, all tolerances are ±0.25



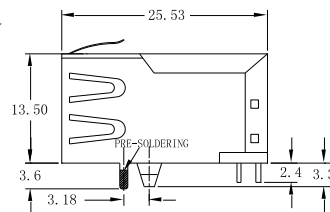
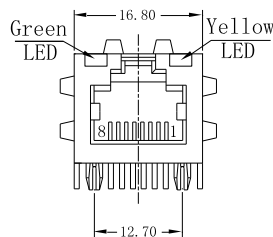
Standard LED	Wavelength	Forward* V(MAX)	(TYP)
Yellow	585 nm	2.5 V	2.1 V
Green	565 nm	2.5 V	2.2 V

* With a forward current of 20 mA

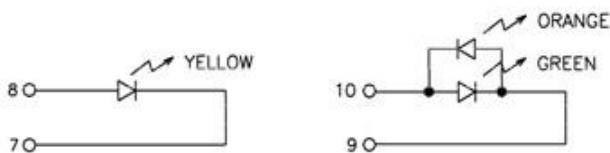
1X



PC Board Layout
Component Side Shown



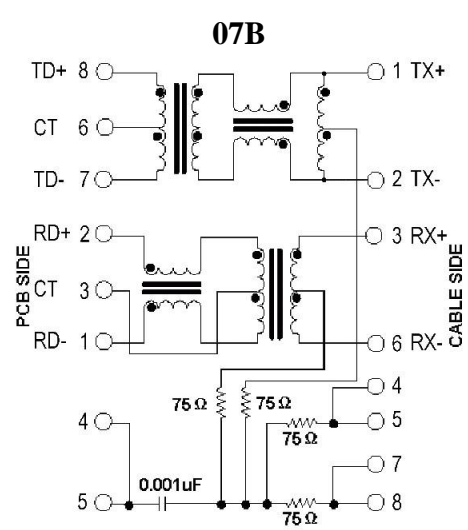
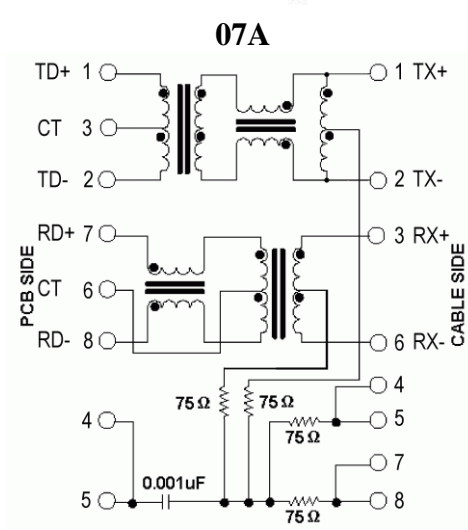
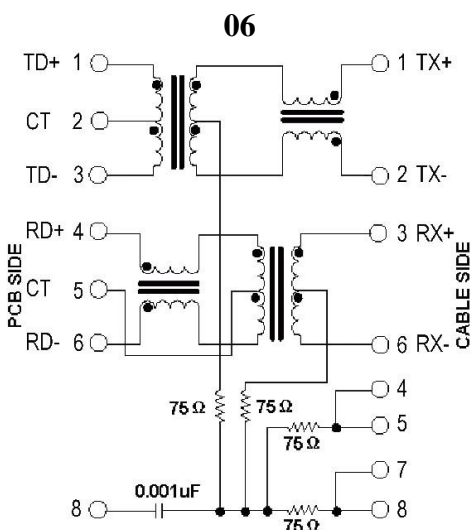
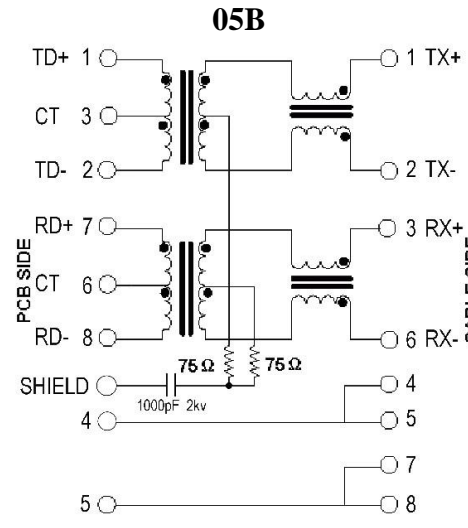
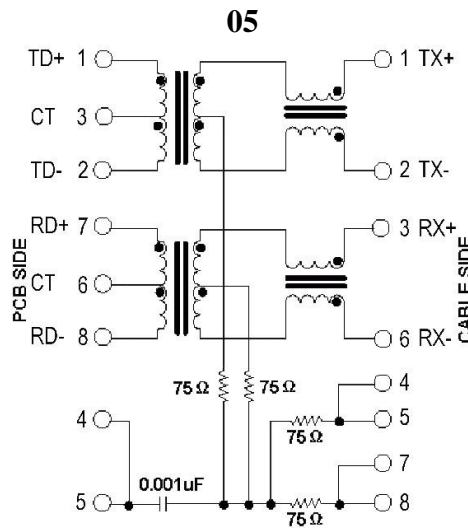
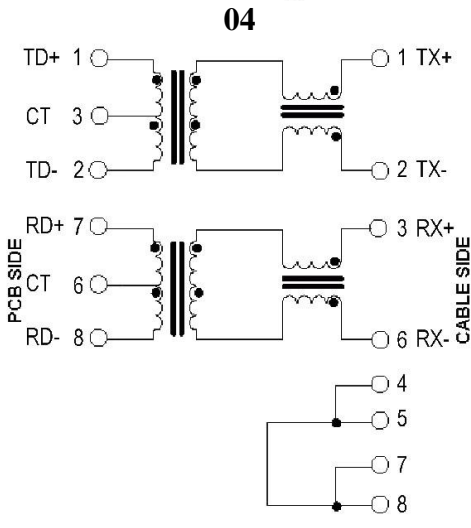
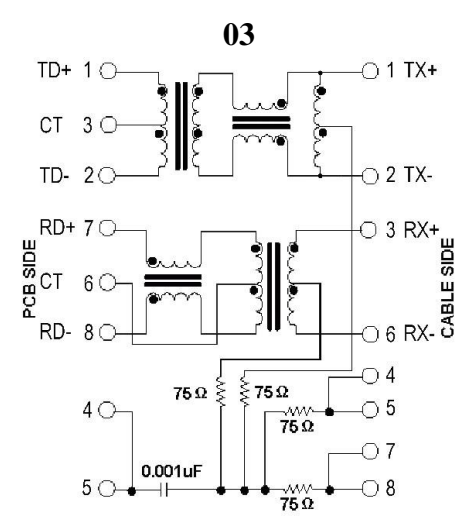
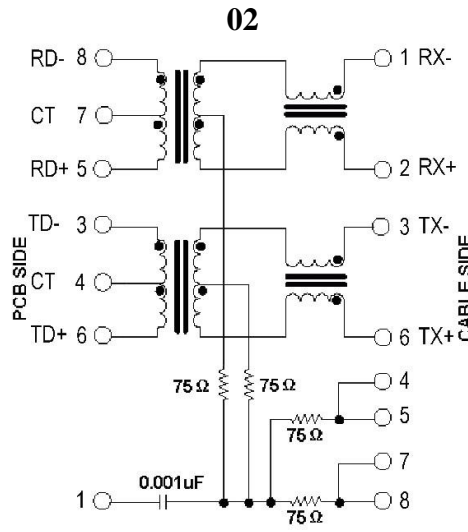
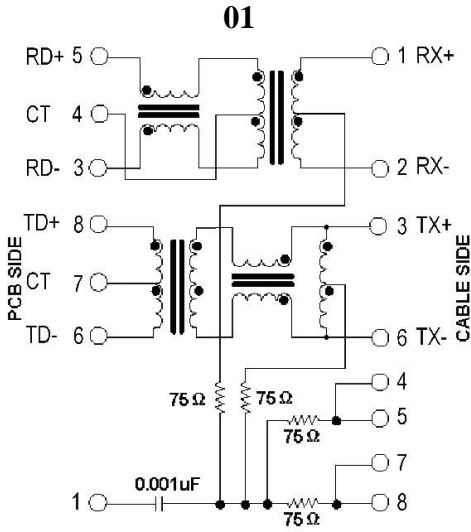
UNIT: mm Unless otherwise specified, all tolerances are ±0.25



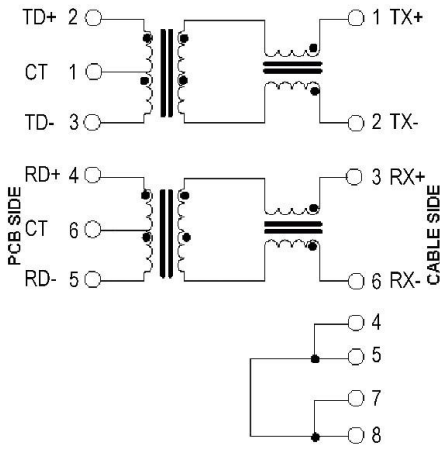
Standard LED	Wavelength	Forward* V (MAX)	(TYP)
Yellow	585 nm	2.5 V	2.1 - 2.2 V
Green	565 nm	2.5 V	2.1 - 2.2 V
Orange	610 nm	2.5 V	2.1 - 2.2 V

* With a forward current of 20 mA

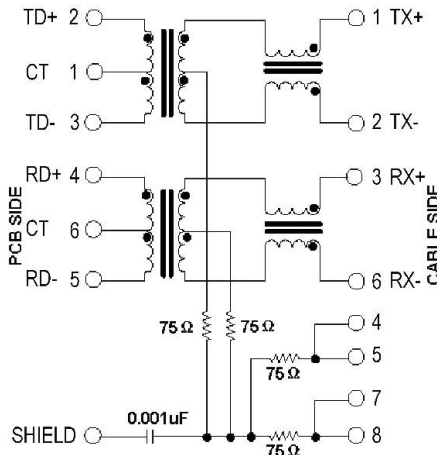
SCHEMATICS



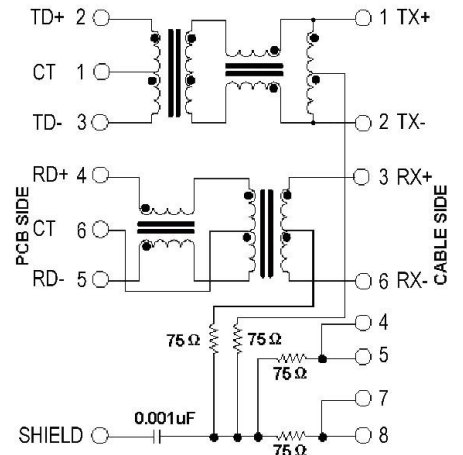
11



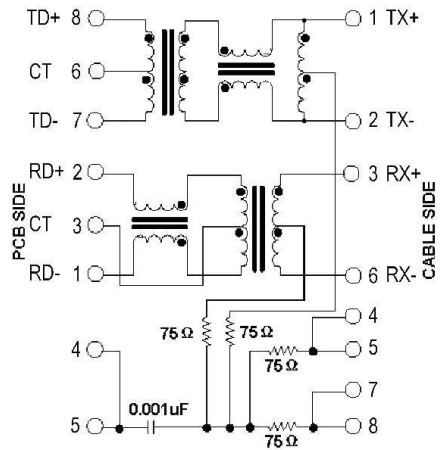
12



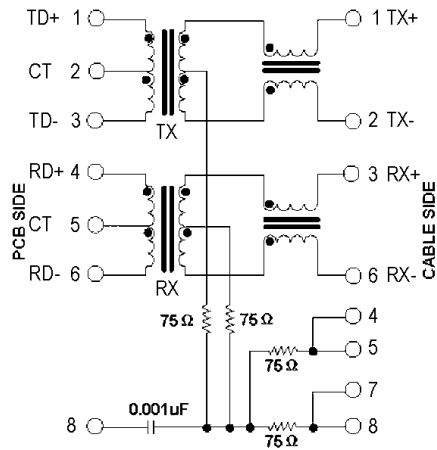
13



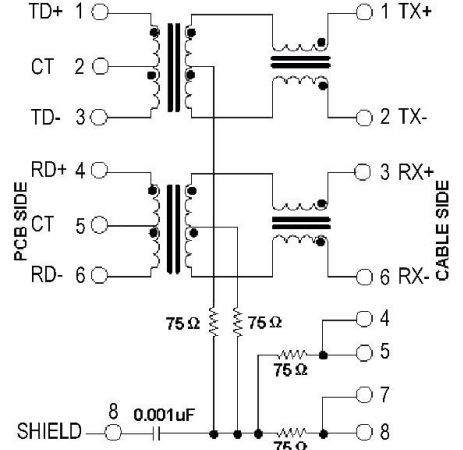
14



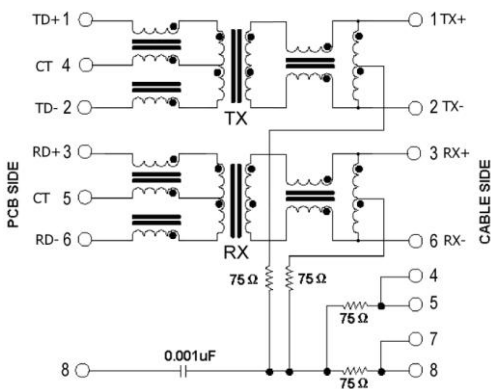
15



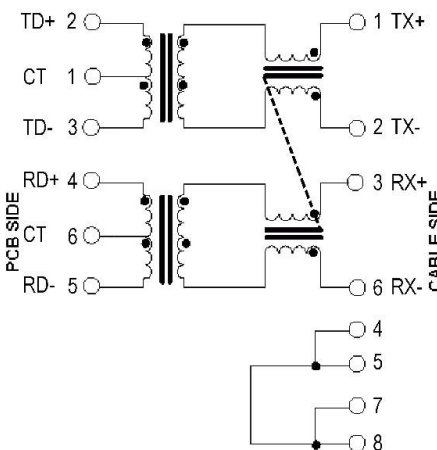
16



17



18



18A

