

# Series 803 "Mighty Mouse" 1/4 Turn Bayonet Coupling



## Series 803 Hermetic Receptacles



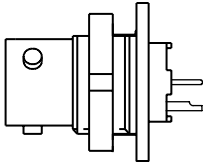

**Series 803 Hermetic  
Jam Nut Mount**

**Series 803 Hermetic Receptacles** feature 304L stainless steel shells, fused vitreous glass insulators and gold-plated Alloy 52 iron alloy contacts.

**1 X 10<sup>-6</sup> cc/second** maximum Helium leak rate when tested at 1 atmosphere vacuum.

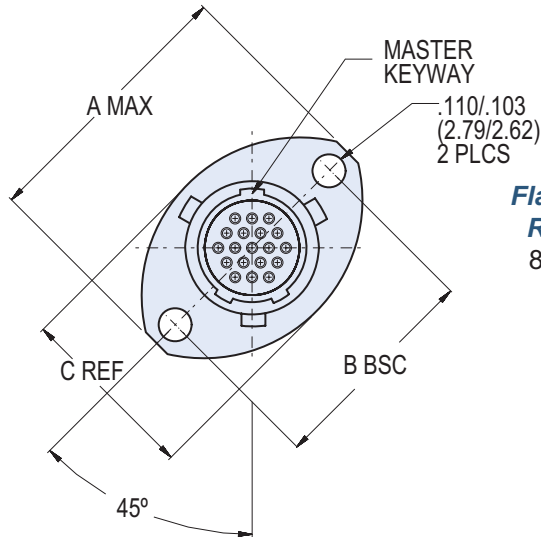
**Two Shell Styles** are available: Jam Nut and Flange Mount.

**Solder Cup Contacts** accept up to #22 AWG stranded wire. Or, choose **Printed Circuit Board Contacts** for attachment to rigid boards or flexible circuits.

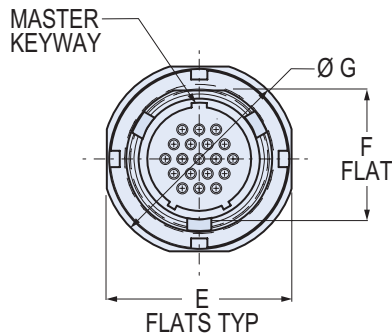
HOW TO ORDER						
Sample Part Number						
803-006	-07	Z1	9-19		P	N
Series	Shell Style	Shell Material / Finish	Shell Size/Insert		Contact Type	Shell Key Position
<b>803-006</b> Hermetic Receptacles with Printed Circuit Board Contacts or Solder Cup Contacts	<b>-07</b> Jam Nut 	<b>Z1</b> Stainless Steel / Passivated	<b>5-3</b>	3 #23	<b>P</b> Pin, Solder Cup	<b>N</b> Normal
			<b>6-1</b>	1 #16		
			<b>6-4</b>	4 #23		
			<b>6-7</b>	7 #23		
			<b>7-1</b>	1 #12		
			<b>7-10</b>	10 #23		
	<b>-02</b> Flange Mount 	<b>ZL</b> Stainless Steel/ Nickel Plated	<b>8-13</b>	13 #23	<b>C</b> Pin, PC Tail	Alternate Key Positions: <b>X</b> <b>Y</b> <b>Z</b>
			<b>9-4</b>	4 #16		
			<b>9-19</b>	19 #23		
			<b>10-26</b>	26 #23		
			<b>12-2</b>	2 #12		
			<b>12-37</b>	37 #23		
			<b>14-55</b>	55 #23		
			<b>15-85</b>	85 #23		

F

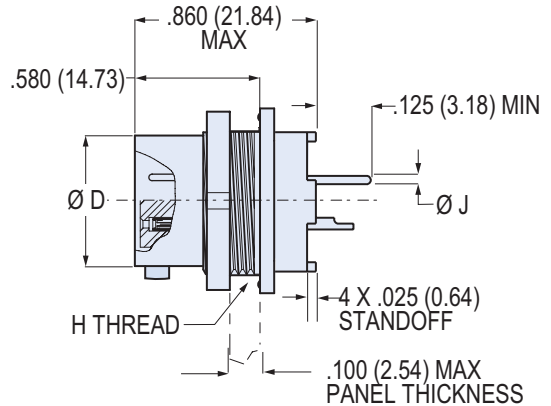
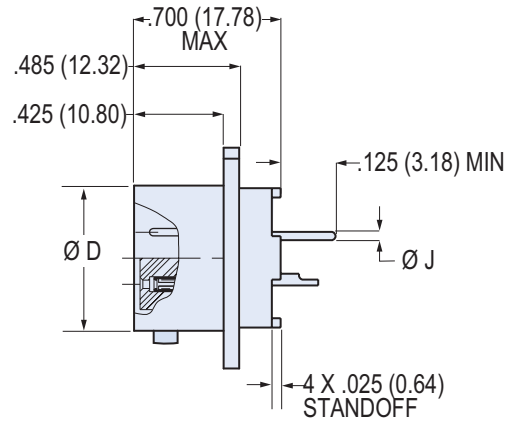
## Series 803 Hermetic Receptacle Dimensions



**Flange Mount Receptacle**  
803-006-02



**Jam Nut Receptacle**  
803-006-07



### DIMENSIONS

Shell Size	A Max.		B Bsc.		C Ref.		Ø D		E Flats		F Flat		Ø G		H Thread	Ø J Tail Dia.
	In.	mm.	In.	mm.	In.	mm.	In.	mm.	In.	mm.	In.	mm.	In.	mm.		
5	.703	17.86	.513	13.03	.460	11.68	.300	7.62	.545	13.84	.350	8.89	.575	14.61	.3750-32 UNEF-2A	#23
6	.788	20.02	.598	15.19	.522	13.26	.362	9.19	.595	15.11	.410	10.42	.635	16.13	.4375-28 UNEF-2A	.018/.022 (0.46/0.56)
7	.890	22.61	.708	17.98	.590	14.99	.436	11.07	.723	18.36	.536	13.61	.755	19.18	.5625-32 UN-2A	#16
8	1.154	29.31	.964	24.49	.668	16.97	.508	12.91	.723	18.36	.536	13.61	.755	19.18	.5625-32 UN-2A	#16
9	1.207	30.66	1.017	25.83	.721	18.31	.561	14.25	.790	20.07	.596	15.14	.830	21.08	.6250-28 UN-2A	.060/.064 (1.52/1.63)
10	1.291	32.79	1.101	27.97	.795	20.19	.635	16.13	.855	21.72	.656	16.66	.890	22.61	.6875-28 UN-2A	#12
12	1.394	35.41	1.204	30.58	.874	22.20	.714	18.14	1.044	26.52	.845	21.46	1.078	27.38	.8750-28 UN-2A	#12
14	1.545	39.24	1.280	32.51	1.050	26.67	.865	21.97	1.230	31.24	1.022	25.96	1.264	32.11	1.0625-20 UN-2A	.092/.096 (2.34/2.44)
15	1.630	41.40	1.370	34.80	1.150	29.21	.925	23.50	1.290	32.77	1.096	27.84	1.325	33.66	1.1250-28 UN-2A	#12