

Specifications

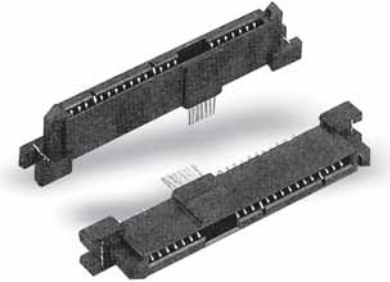
Insulation Resistance:	1,000MΩ min.
Current Rating:	1.5A
Voltage Rating:	5V AC
Withstanding Voltage:	500V AC
Contact Resistance:	15mΩ max.
Operating Temperature Range:	-55°C to +125°C
Solder Temperature:	245°C / 10 sec.

Part Number

SAS - 029 - DIP - AL

Materials and Finish

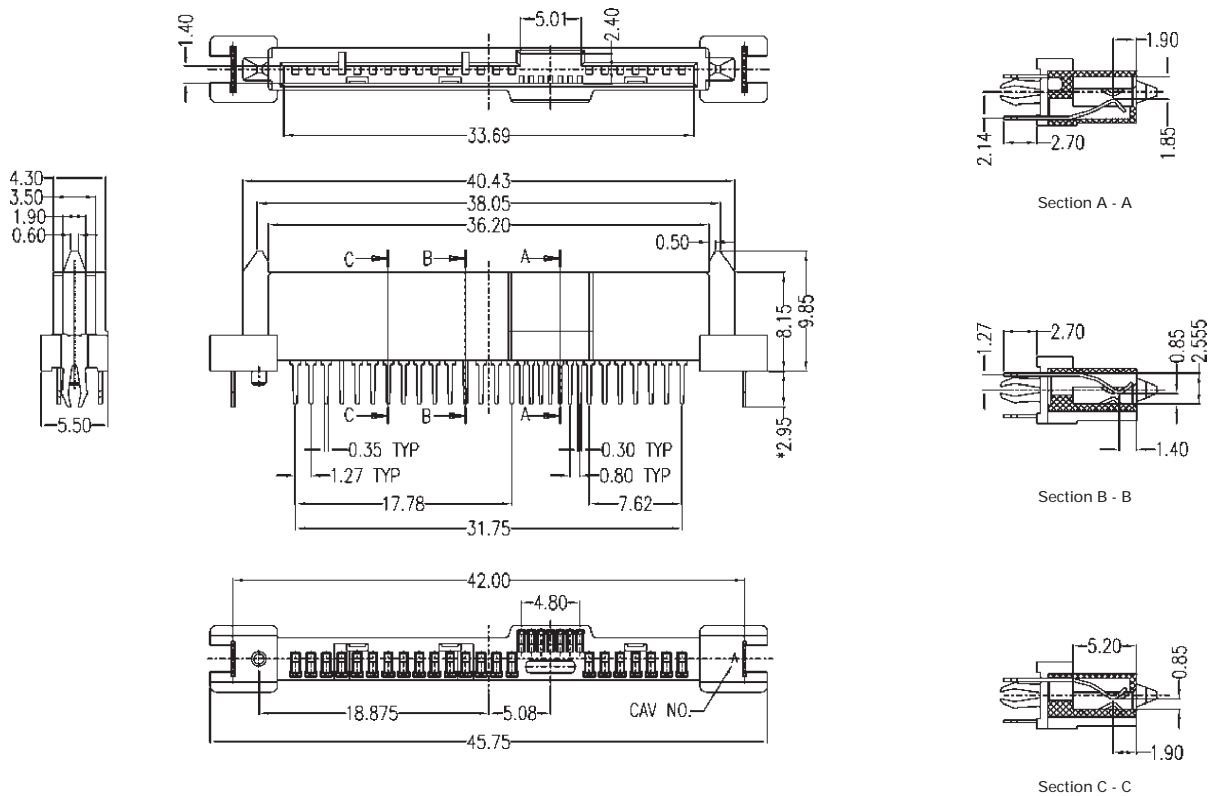
Housing:	LCP, UL94V-0 rated
Contacts:	Phosphor Bronze
Contact Plating:	Solder area - Sn over Ni
	Mating area - 30μ" Au over Ni



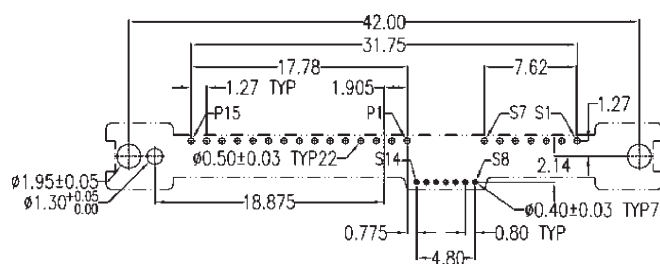
Features

- With lock springs for secure mating

Outline Dimensions



Recommended PCB Layout



Top View

Specifications

Insulation Resistance:	1,000MΩ min.
Current Rating:	1.5A
Voltage Rating:	5V AC
Withstanding Voltage:	500V AC
Contact Resistance:	15mΩ max.
Operating Temperature Range:	-55°C to +125°C
Solder Temperature:	245°C / 10 sec.

Part Number

SAS - 029 - SMT/DIP - AL

Materials and Finish

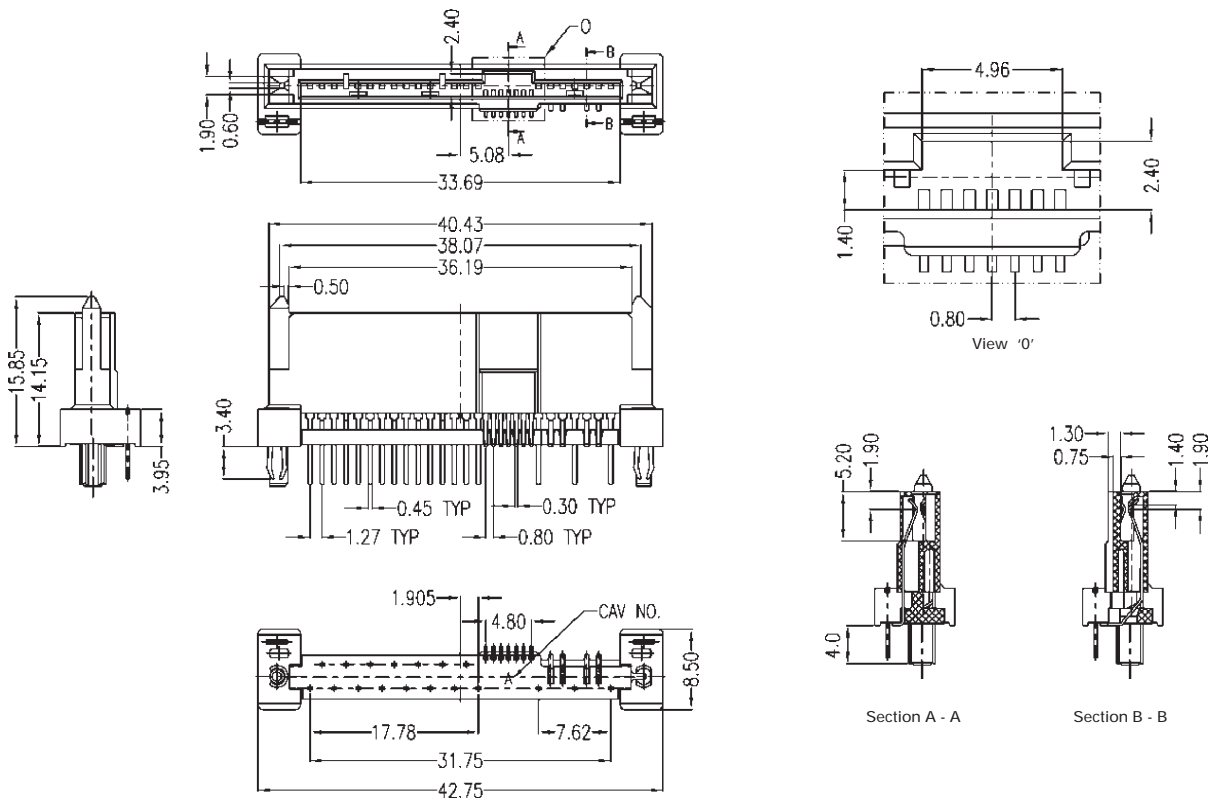
Housing:	LCP, UL94V-0 rated
Contacts:	Phosphor Bronze
Contact Plating:	Solder area - Sn over Ni
	Mating area - 30μ" Au over Ni



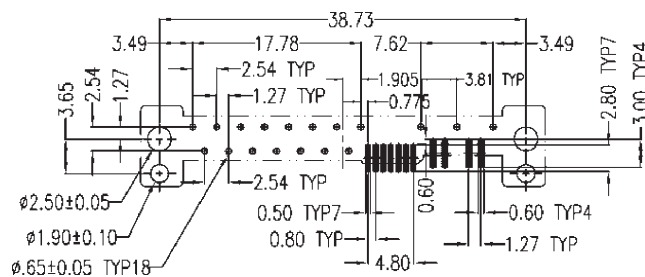
Features

- With lock springs for secure mating

Outline Dimensions



Recommended PCB Layout



Top View