



P/N: 24ST0023-3 LF DATA SHEET

Feature



- Half port and single port designs for maximum layout flexibility.
- Compatible with Intel, TDK, QSI, and ICS.
- 24-PIN SMD package, pick and place compatible.
- Lead free for external pins.
- Operating Temperature range: 0 to +70 .
- Storage temperature range: -25 to +125 .

Electrical Specifications @ 25°C

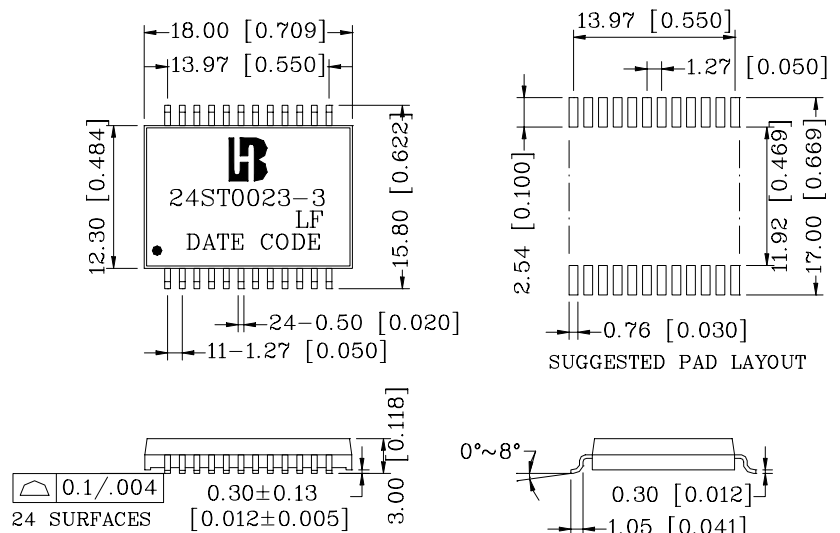
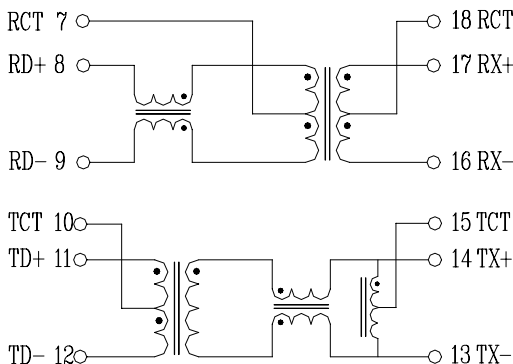
| Part Number | Turns Ratio (±5%) | | Insertion Loss (dB Max) | Return Loss (dB Min) | | | HI-POT (Vrms) |
|---------------|-------------------|---------|-------------------------|----------------------|-------|-------|---------------|
| | TX | RX | | 30MHz | 60MHz | 80MHz | |
| 24ST0023-3 LF | 1CT:1 | 1CT:1CT | -2.0 | -18 | -14 | -12 | 1500 |

Continue

| Part Number | Cross talk (dB Min) | | | DCMR TX/RX(dB Min) | | | |
|---------------|---------------------|-------|--------|--------------------|-------|--------|--------|
| | 30MHz | 62MHz | 100MHz | 30MHz | 50MHz | 100MHz | 150MHz |
| 24ST0023-3 LF | -50 | -45 | -40 | -40 | -35 | -30 | -20 |

Schematic

Mechanical



Units: mm[Inches] Tolerance: xx.x0±0.25[0.010]
 0.xx±0.05[0.002]