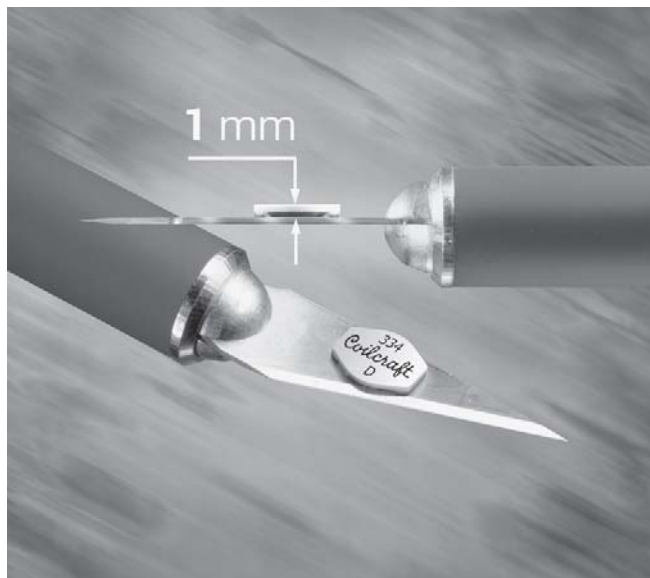




SMT Power Inductors - LPO6610 Series



- Very low profile - only 1.0 mm high!
- Handles current up to 1.7 Amps rms

Designer's Kit C367 contains 3 each of all values

Core material Ferrite

Core and winding loss See www.coilcraft.com/coreloss

Terminations RoHS compliant silver-palladium-platinum-glass frit. Other terminations available at additional cost.

Weight 91.0 – 95.0 mg

Ambient temperature –40°C to +85°C with I_{rms} current, +85°C to +125°C with derated current

Storage temperature Component: –40°C to +125°C.

Packaging: –40°C to +80°C

Resistance to soldering heat Max three 40 second reflows at +260°C, parts cooled to room temperature between cycles

Moisture Sensitivity Level (MSL) 1 (unlimited floor life at <30°C / 85% relative humidity)

Failures in Time (FIT) / Mean Time Between Failures (MTBF)

38 per billion hours / 26,315,789 hours, calculated per Telcordia SR-332

Packaging 1000/7" reel Plastic tape: 12 mm wide, 0.3 mm thick, 8 mm pocket spacing, 1.2 mm pocket depth

PCB washing Only pure water or alcohol recommended

Part number ¹	L ² ±20% (µH)	DCR max (Ohms)	SRF typ (MHz)	Isat ³ (A)	I _{rms} ⁴ (A)
LPO6610-122ML_	1.2	0.08	190	2.1	1.7
LPO6610-152ML_	1.5	0.10	140	1.9	1.5
LPO6610-222ML_	2.2	0.12	115	1.6	1.4
LPO6610-332ML_	3.3	0.16	90	1.3	1.2
LPO6610-472ML_	4.7	0.20	88	1.1	1.1
LPO6610-682ML_	6.8	0.32	66	0.90	0.85
LPO6610-103ML_	10	0.41	55	0.80	0.75
LPO6610-153ML_	15	0.55	42	0.65	0.60
LPO6610-223ML_	22	0.85	38	0.50	0.52
LPO6610-333ML_	33	1.3	29	0.40	0.42
LPO6610-473ML_	47	1.8	22	0.35	0.36
LPO6610-683ML_	68	2.5	18	0.30	0.30
LPO6610-104ML_	100	3.5	14	0.25	0.26
LPO6610-154ML_	150	5.0	12	0.18	0.21
LPO6610-224ML_	220	7.0	10	0.16	0.18
LPO6610-334ML_	330	15.0	8	0.13	0.13

- When ordering, please specify **termination** and **packaging** codes:

LPO6610-334M L C

Termination: L = RoHS compliant silver-palladium-platinum-glass frit.
Special order: T = RoHS tin-silver-copper (95.5/4/0.5)
or S = non-RoHS tin-lead (63/37).

Packaging: C = 7" machine-ready reel. EIA-481 embossed plastic tape (1000 parts per full reel).

B = Less than full reel. In tape, but not machine ready.
To have a leader and trailer added (\$25 charge), use code letter C instead.

- Inductance tested at 100 kHz, 0.1 V_{rms}, 0 Adc using an Agilent/HP 4263B LCR meter or equivalent.
 - DC current at which the inductance drops 10% (typ) from its value without current.
 - Current that causes a 40°C temperature rise from 25°C ambient.
 - Electrical specifications at 25°C.
- Refer to Doc 362 "Soldering Surface Mount Components" before soldering.

SPICE models ON OUR WEB SITE OR CD

Coilcraft[®]

Specifications subject to change without notice.
Please check our website for latest information.

Document 333-1 Revised 10/15/08

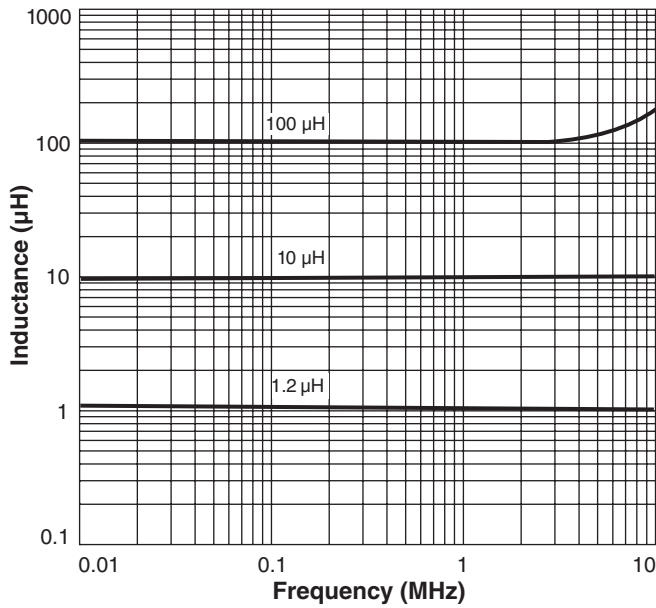
1102 Silver Lake Road Cary, Illinois 60013 Phone 847/639-6400 Fax 847/639-1469

E-mail info@coilcraft.com Web <http://www.coilcraft.com>

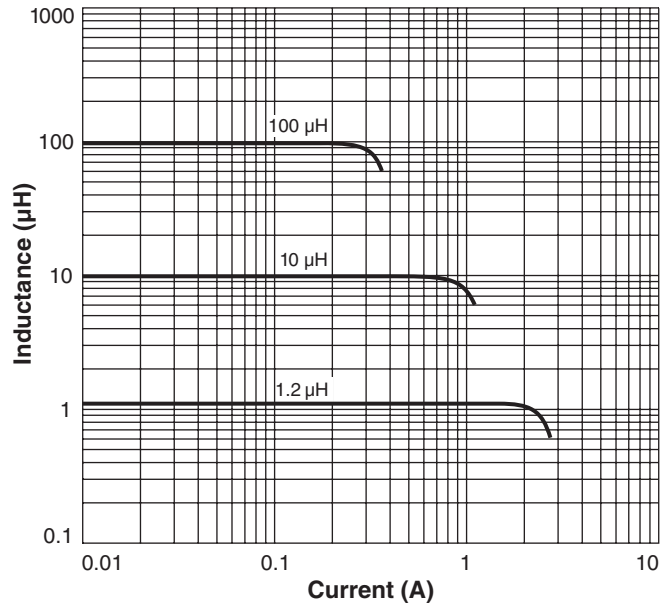


SMT Power Inductors - LPO6610 Series

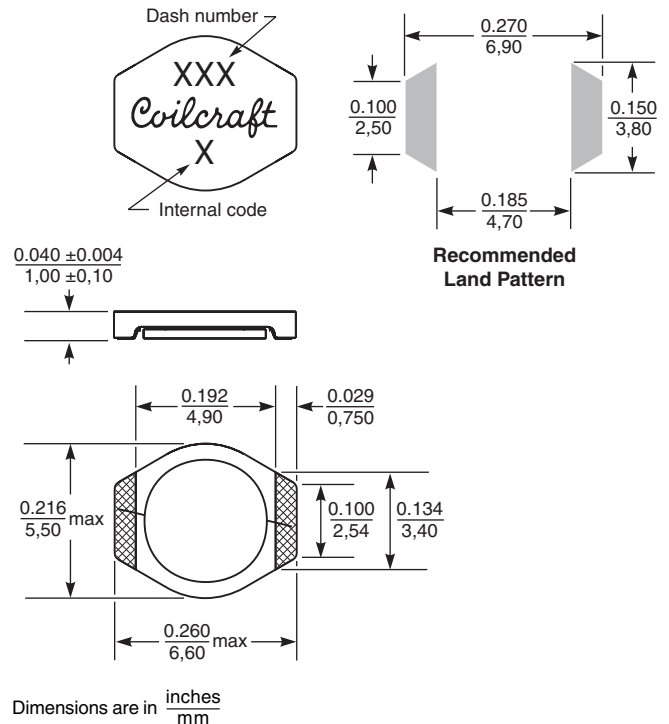
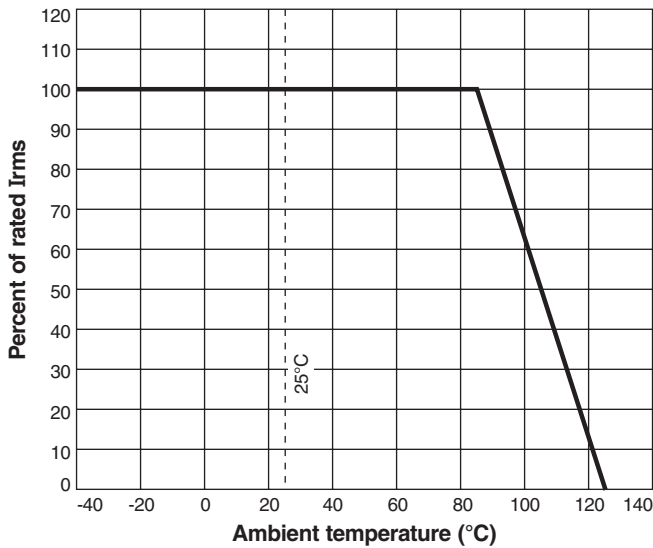
Typical L vs Frequency



Typical L vs Current



Irms Derating



Specifications subject to change without notice.
Please check our website for latest information.

Document 333-2 Revised 10/15/08

1102 Silver Lake Road Cary, Illinois 60013 Phone 847/639-6400 Fax 847/639-1469

E-mail info@coilcraft.com Web <http://www.coilcraft.com>