

AC COOLING FAN

92x92x25mm

- Voltage: 115 & 230 VAC
- Bearing options: Ball, Sleeve or Oil Bearing
- Material on housing: Aluminium Alloy Housing
- Airflow range: 22.8 CFM
- Suitable for PSU, Racks and Test Instruments



SPECIFICATION

| Part No. | Bearing | Voltage/Freq(V/Hz) | Current(A) | Power (W) | Speed(RPM) | Air flow(CFM) | Pressure(mmAq) | Noise(dB/A) | Weight(g) |
|--------------|-------------------|--------------------|------------|-----------|------------|----------------|----------------|-------------|-----------|
| DBF9225x115M | Ball, Sleeve, Oil | 115/50 | 0.15 | 17.30 | 1650 | 22.8 | 1.15 | 21.1 | 220 |
| DBF9225x230M | Ball, Sleeve, Oil | 230/50 | 0.07 | 16.10 | 1650 | 22.8 | 1.15 | 21.1 | 220 |

Impeller: Plastic (UL;94V-0)

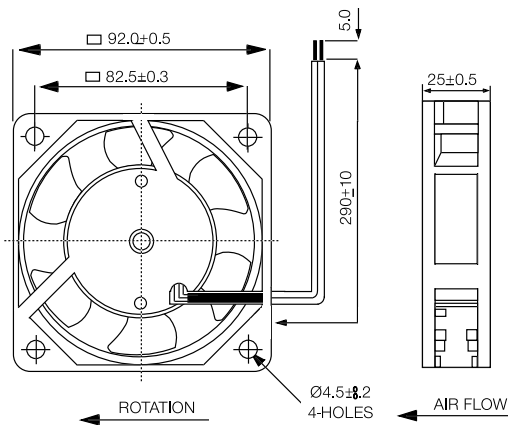
Lead Wire: UL1430 AWG22

Protection: Current Limit

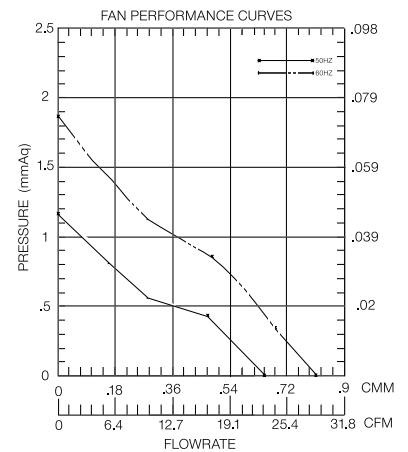
Operating Temp: -10° to 70 °C

SECTION 12

EXTERNAL DIMENSIONS



PERFORMANCE CURVE



ORDERING INFORMATION

| DBF | 9225 | B | 115 | M | T |
|---------------|------------|-----------------------------|--------------------------|----------|-----------------------|
| Dubilier Fans | Size | Bearing | Voltage | Airflow | Lead Type |
| | 92x92x25mm | B=Ball S=Sleeve G=Oil | 115=115vdc 230=230vdc | M=Medium | T=Terminal W=Wires |