



TAI-SAW TECHNOLOGY CO., LTD.

No. 3, Industrial 2nd Rd., Ping-Chen Industrial District,
Taoyuan, 324, Taiwan, R.O.C.

TEL: 886-3-4690038 FAX: 886-3-4697532

E-mail: tstsales@mail.taisaw.com Web: www.taisaw.com

Approval Sheet For Product Specification

Issued Date: Jun, 26, 2008

Product Name: SAW Filter 300 MHz SMD 5.0X5.0 mm

TST Parts No.: TB0677A

Customer Parts No.: _____

Company: _____
Division: _____
Approved by : _____
Date: _____

Checked by: _____ Bob Chau *Bob Chau*

Approval by: _____ Francis Chen *Francis Chen* 06/26/2008

Date: _____ 6, 26, 2008



TAI-SAW TECHNOLOGY CO., LTD.

No. 3, Industrial 2nd Rd., Ping-Chen Industrial District,
Taoyuan, 324, Taiwan, R.O.C.

TEL: 886-3-4690038 FAX: 886-3-4697532

E-mail: tstsales@mail.taisaw.com Web: www.taisaw.com

SAW Filter 300 MHz

MODEL NO.:TB0677A

REV. NO.:1

A. MAXIMUM RATING:

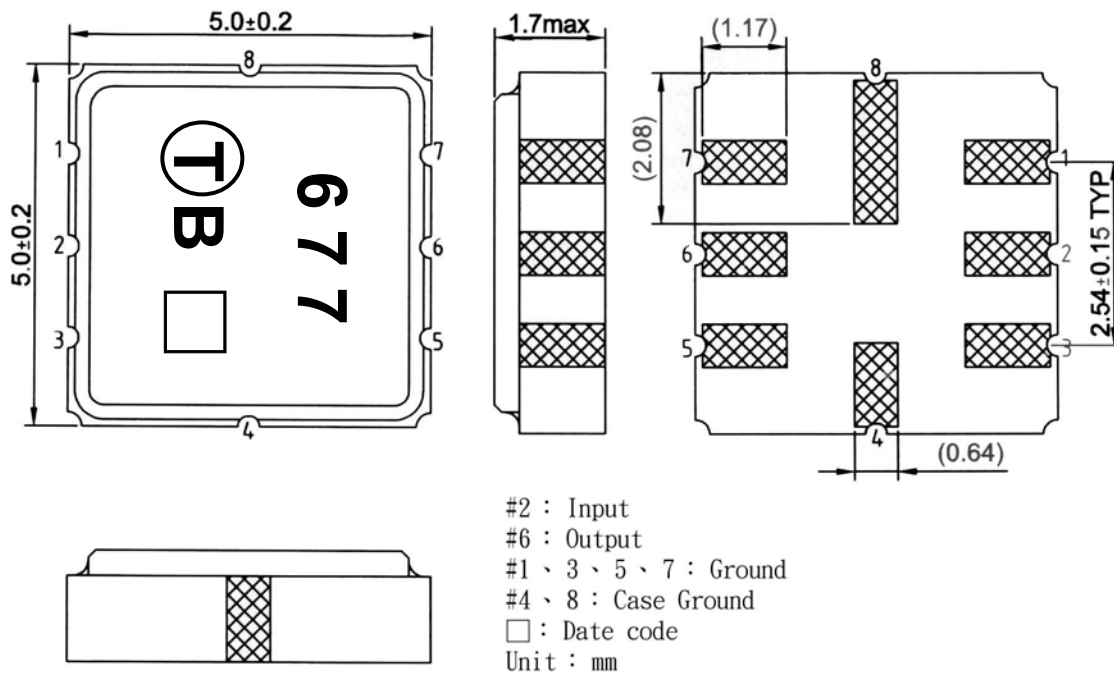
1. Input Power Level: 13 dBm
2. DC Voltage : 5V
3. Operating Temperature: -20°C to +80°C
4. Storage Temperature: -30°C to +85°C

RoHS Compliant
Lead free
Lead-free soldering

B. ELECTRICAL CHARACTERISTICS:

Item	Unit	Min.	Typ.	Max.	Note
Center frequency Fc	MHz	-	300	-	-
Min. Insertion loss ILc	dB	-	3.8	6.5	-
Passband Ripple (Fc ±35KHz)	dB	-	0.4	2	-
Bandwidth @ 3dB	KHz	200	230	-	-
Group delay ripple (299.965~300.035MHz)	μ s	-	0.5	3	-
Attenuation (relative to ILc)					
Fc ± 400 KHz	dB	15	43	-	-
Fc ± 400 KHz ~ Fc ± 600 KHz	dB	27	43	-	-
Fc ± 600 KHz ~ Fc ± 13 MHz	dB	35	50	-	-
Fc ± 100 MHz	dB	50	55	-	-
Temperature coefficient of frequency TCf		-0.033 ppm/C ²			

C.OUTLINE DRAWING:

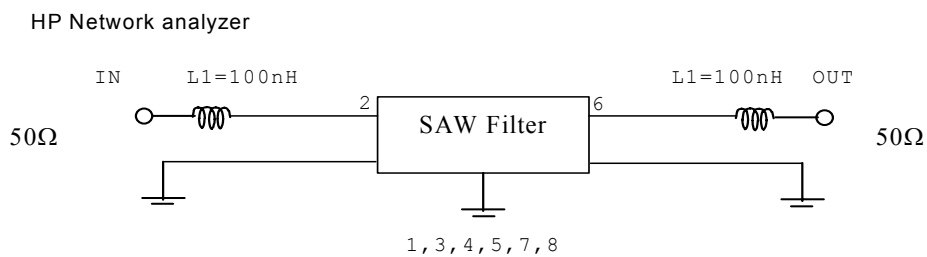


Product Year Code

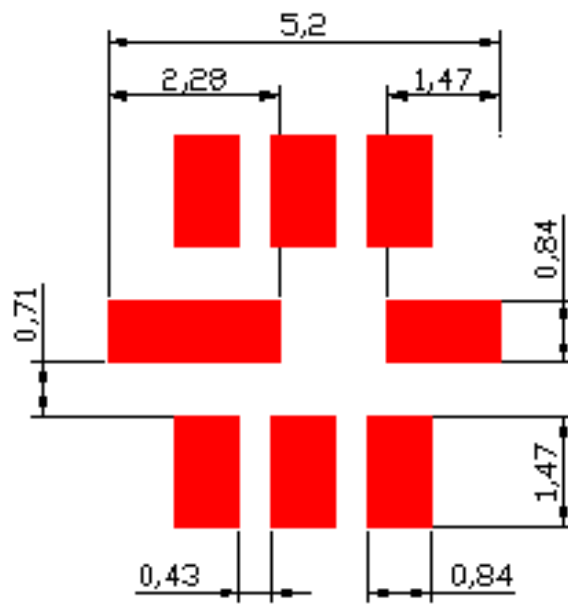
Year	2001 2005	2002 2006	2003 2007	2004 2008
Product Code	B	b	<u>B</u>	<u>b</u>

D. MEASUREMENT CIRCUIT:

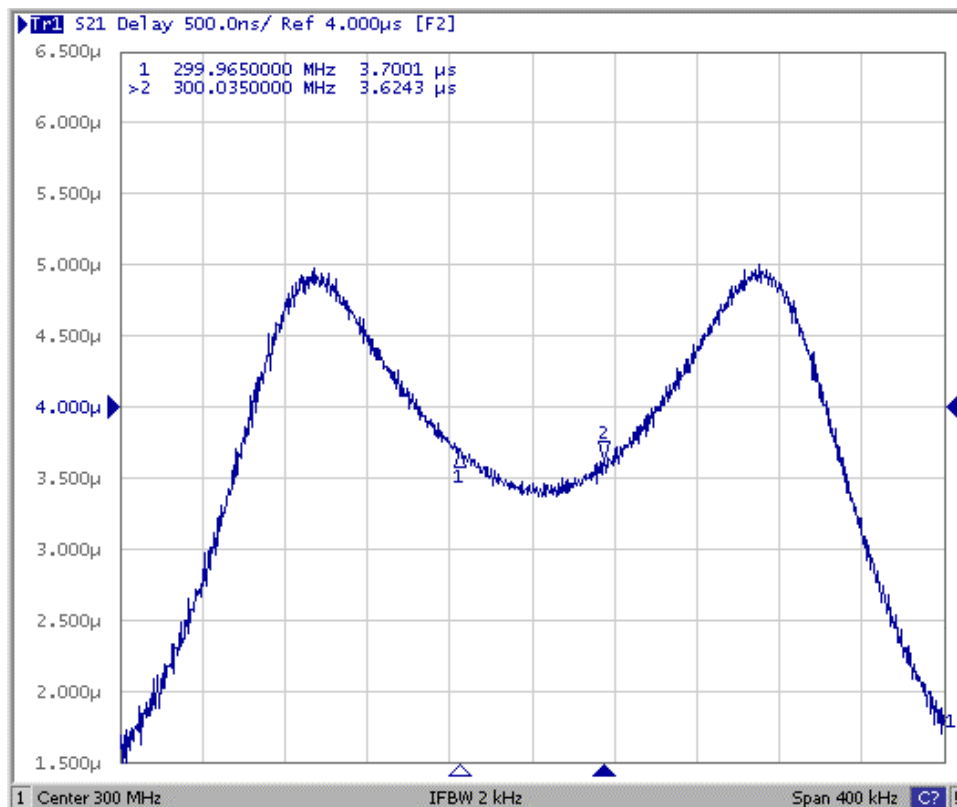
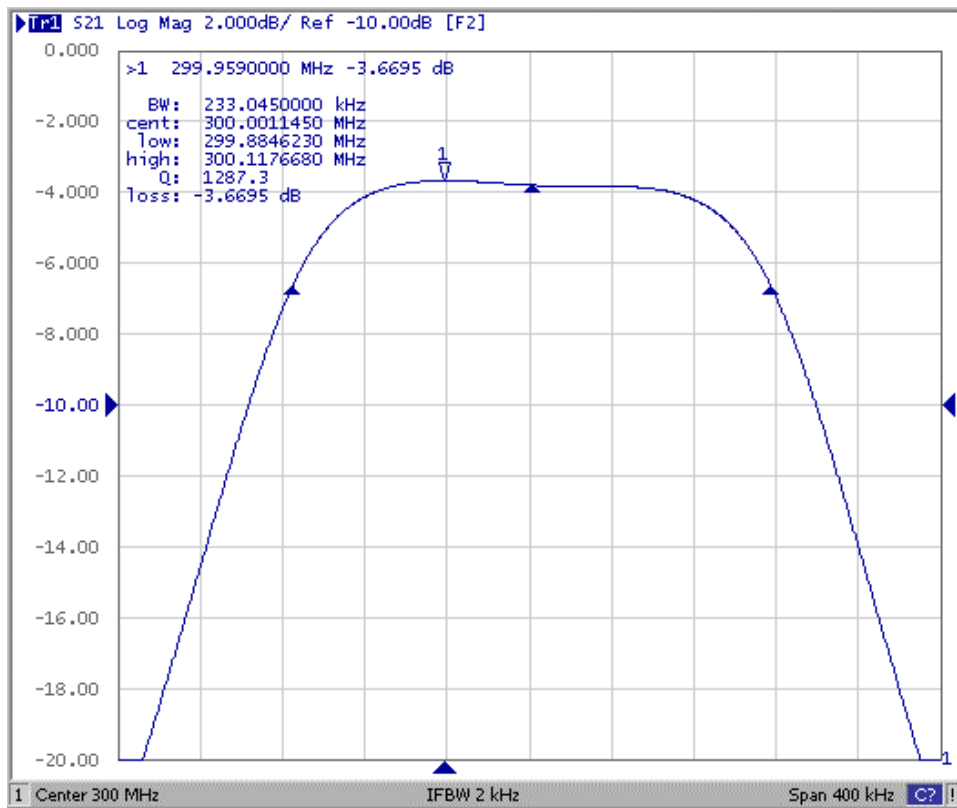
50 Ohm Test circuit (single-ended / single-ended)

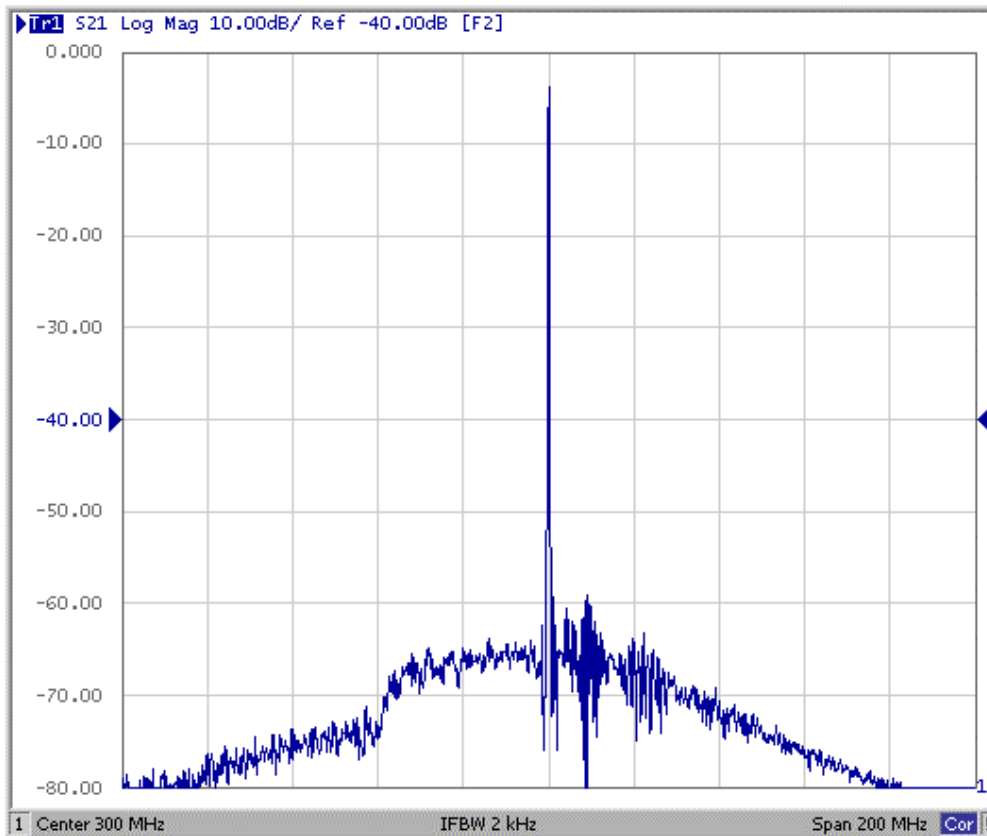
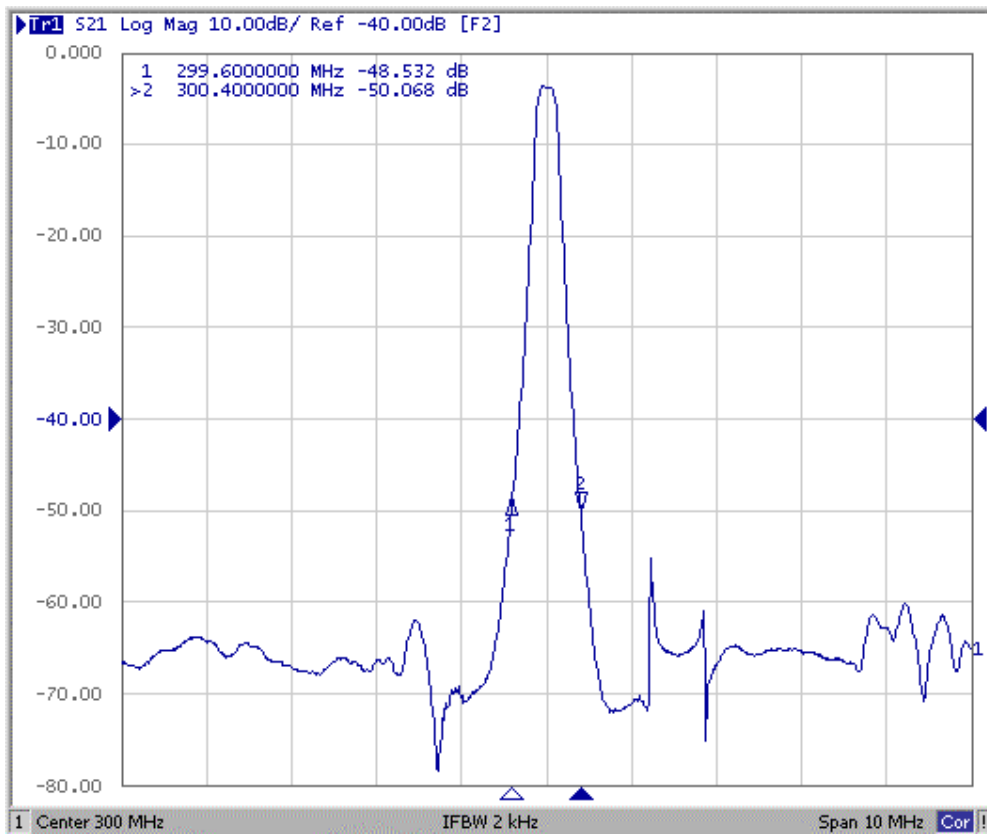


E. PCB Footprint:



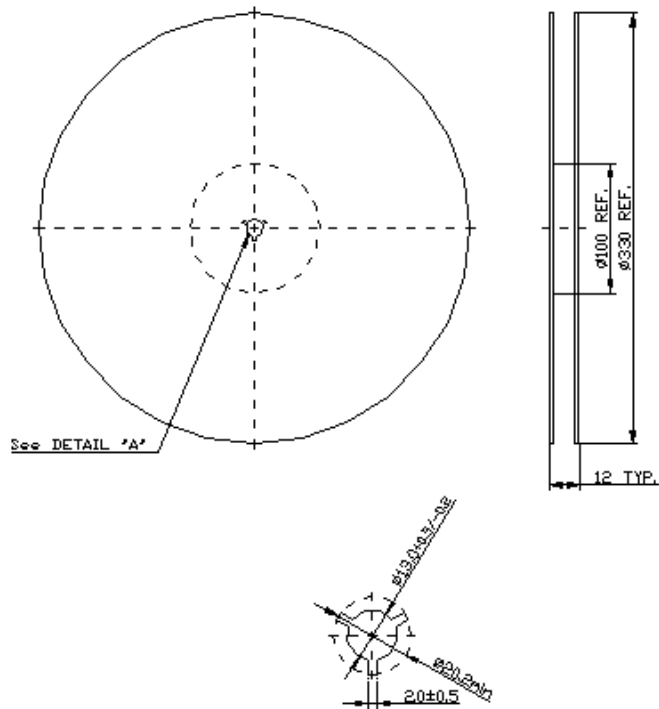
F. Frequency Characteristics :



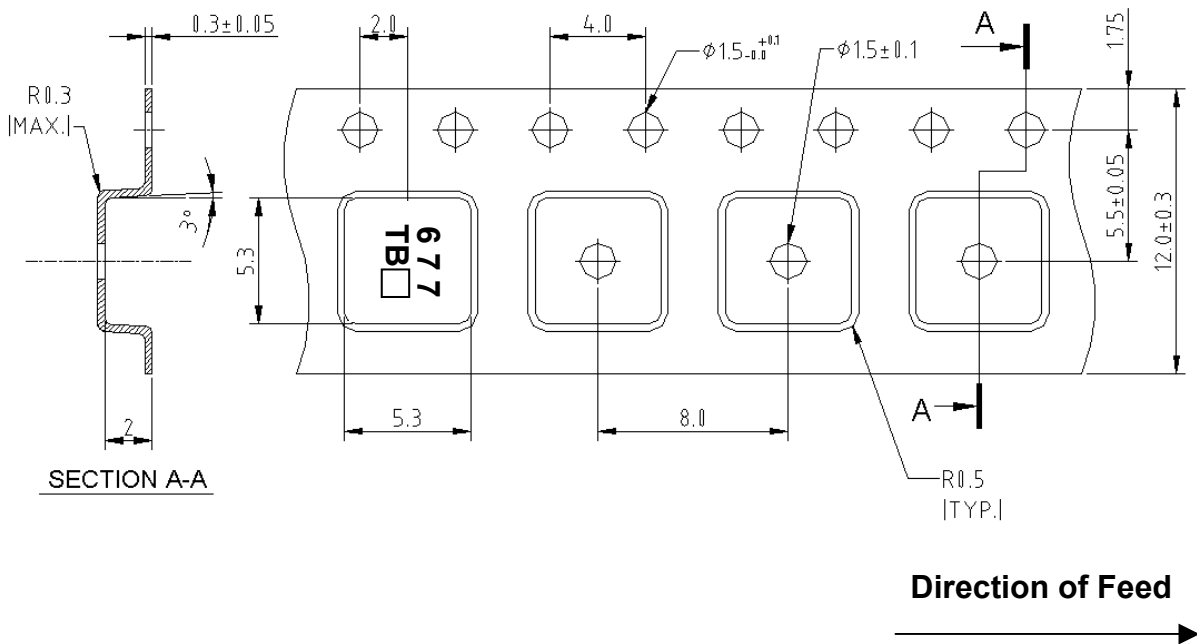


G. PACKING:

1. REEL DIMENSION



2. TAPE DIMENSION



H. RECOMMENDED REFLOW PROFILE :

