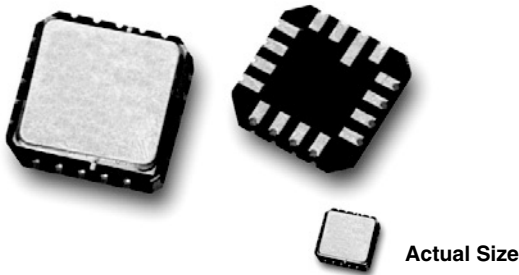


## Hermetic, 50 Mil Pitch, Leadless Chip Resistor Networks



Capable of meeting the characteristics of MIL-PRF-83401 these networks are available in a wide range of resistance values: several standard configurations are presented with the SLCC series.

### FEATURES

- High stability ultrafilm (0.05 % at 1000 h at + 70 °C under Pn)
- Low noise < 35 dB
- Hermetic package



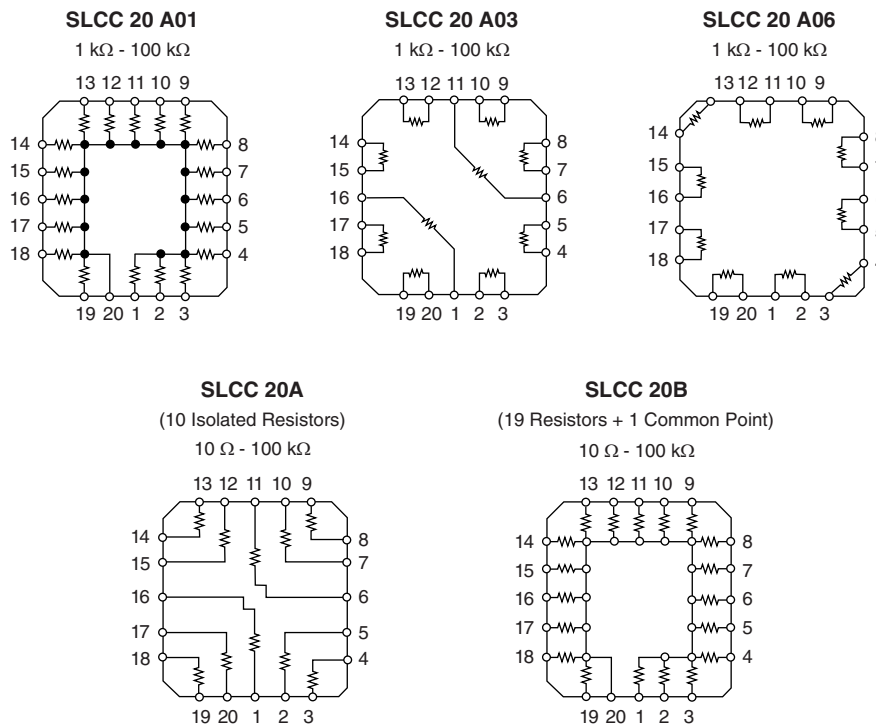
**RoHS**  
COMPLIANT

### TYPICAL PERFORMANCE

	ABS	TRACKING
TCR	25 ppm/°C	2 ppm/°C
	ABS	RATIO
TOL.	0.1 %	0.1 %

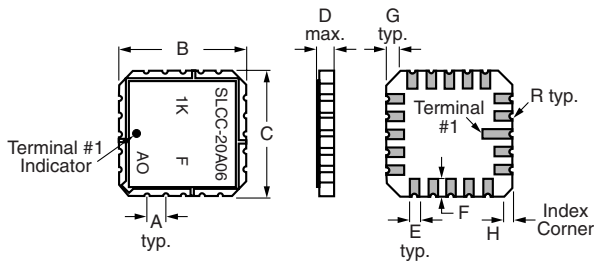
Resistance Range: Noted on schematics

### SCHEMATIC



STANDARD ELECTRICAL SPECIFICATIONS			
TEST	SPECIFICATIONS		CONDITIONS
PIN NUMBER	20		
TCR:	Tracking	$\pm 2$ ppm/ $^{\circ}$ C (typical)/5 ppm/ $^{\circ}$ C maximum	- 55 $^{\circ}$ C to + 125 $^{\circ}$ C
	Absolute	$\pm 25$ ppm/ $^{\circ}$ C maximum	- 55 $^{\circ}$ C to + 125 $^{\circ}$ C
Tolerance:	Ratio	$\pm 0.1$ % to 1.0 % tighter specs on request	
	Absolute	$\pm 0.1$ % to 5.0 % tighter specs on request	
Power rating:	Resistor	50 mW	at + 70 $^{\circ}$ C
	Package	500 mW	at + 70 $^{\circ}$ C
Stability ( $\Delta R$ ratio)	0.05 %		1000 h at + 70 $^{\circ}$ C under Pn
Voltage coefficient	< 0.1 ppm/V		
Working voltage	100 V <sub>DC</sub> on R		
Operating temperature range	- 55 $^{\circ}$ C to + 125 $^{\circ}$ C		
Storage temperature range	- 55 $^{\circ}$ C to + 150 $^{\circ}$ C		
Noise	- 35 dB typical		
Thermal EMF	0.1 $\mu$ V/ $^{\circ}$ C		
Shelf life stability	< 50 ppm		1 year at + 25 $^{\circ}$ C

**DIMENSIONS** in millimeters [inches]



	20 Pin
A	1.27 [0.050]
B	8.89 [0.350]
C	8.89 [0.350]
D	1.96 [0.077]
E	0.635 [0.025]
F	1.27 [0.050]
G	1.02 [0.040]
H	0.508 [0.020]

**PACKAGING**

Tape and reel 250 pieces per tape

GLOBAL PART NUMBER INFORMATION																		
New Global Part Numbering: SLCC20A01-10KF0005																		
S	L	C	C	2	0	A	0	1	-	1	0	K	F	T	0	0	0	5
GLOBAL MODEL	SCHEMATIC		VALUE	TOL.		PACKAGING	OPTION											
SLCC20	A B A01 A03 A06		Decimal R, K or M	B (0.1 % 0.1 %) D (0.5 % 0.25 %) F (1.0 % 0.5 %) G (2.0 % 1.0 %) J (5.0 % 1.0 %)		Tape and reel	leave blank if no option											
Historical Part Number example: SLCC 20 A01 10K F R0005 e4																		
SLCC 20	A01	10K	F	R0005	e4													
GLOBAL MODEL	SCHEMATIC	VALUE	TOL.	OPTION	RoHs													
				leave blank if no option														



## Disclaimer

All product specifications and data are subject to change without notice.

Vishay Intertechnology, Inc., its affiliates, agents, and employees, and all persons acting on its or their behalf (collectively, "Vishay"), disclaim any and all liability for any errors, inaccuracies or incompleteness contained herein or in any other disclosure relating to any product.

Vishay disclaims any and all liability arising out of the use or application of any product described herein or of any information provided herein to the maximum extent permitted by law. The product specifications do not expand or otherwise modify Vishay's terms and conditions of purchase, including but not limited to the warranty expressed therein, which apply to these products.

No license, express or implied, by estoppel or otherwise, to any intellectual property rights is granted by this document or by any conduct of Vishay.

The products shown herein are not designed for use in medical, life-saving, or life-sustaining applications unless otherwise expressly indicated. Customers using or selling Vishay products not expressly indicated for use in such applications do so entirely at their own risk and agree to fully indemnify Vishay for any damages arising or resulting from such use or sale. Please contact authorized Vishay personnel to obtain written terms and conditions regarding products designed for such applications.

Product names and markings noted herein may be trademarks of their respective owners.