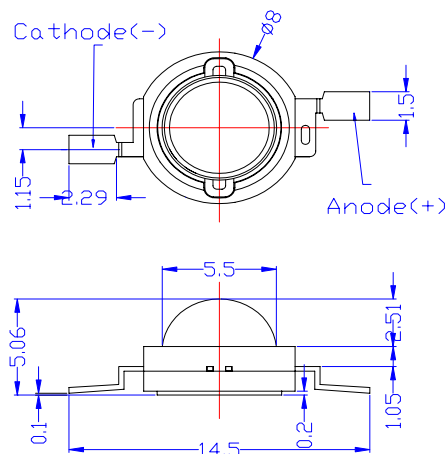


■Features

- Highest luminous flux
- Super energy efficiency
- Very long operating life (up to 100K hours)
- Superior ESD protection
- No UV

■Applications

- Read lights (car, bus, aircraft)
- Portable (flashlight, bicycle)
- Bollards / Security / Garden
- Traffic signaling / Beacons
- In door / Out door Commercial lights
- Automotive Ext

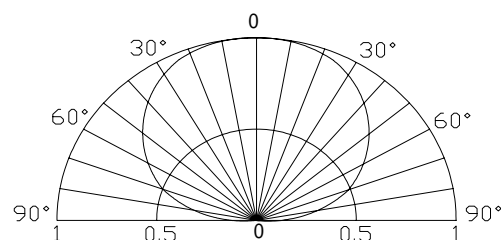
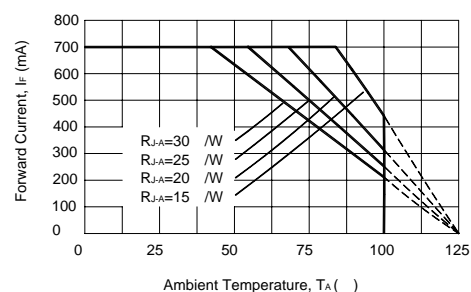
■Outline Dimension


Unit:mm
Tolerances are for reference only

■Absolute Maximum Rating (Ta=25 °C)

Item	Symbol	Value	Unit
DC Forward Current	I_F	800	mA
Pulse Forward Current*	I_{FP}	1000	mA
Reverse Voltage	V_R	5	V
Power Dissipation	P_D	3200	mW
Operating Temperature	T_{opr}	-30 ~ +85	
Storage Temperature	T_{stg}	-40 ~ +100	
Lead Soldering Temperature	T_{sol}	260 /5sec	-

*Pulse width Max.10ms Duty ratio max 1/10

■Directivity

Forward Operating Current (DC)

Electrical -Optical Characteristics (Ta=25 °C)

Item	Symbol	Condition	Min.	Typ.	Max.	Unit
DC Forward Voltage	V_F	$I_F=700mA$	3.0	3.3	4.0	V
DC Reverse Current	I_R	$V_R=5V$	-	-	10	μA
Luminous Flux	ν	$I_F=700mA$	-	90	120	lm
Color Temperature	CCT	$I_F=700mA$		3000	-	K
Chromaticity Coordinates*	x	$I_F=700mA$	-	0.45	-	-
	y	$I_F=700mA$	-	0.41	-	-
50% Power Angle	$2\theta_{1/2}$	$I_F=700mA$	-	140	-	deg

Note: Don't drive at rated current more than 5s without heat sink for Xeon 3 emitter series.